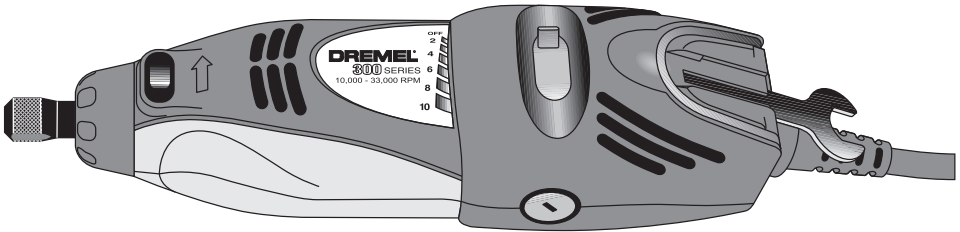


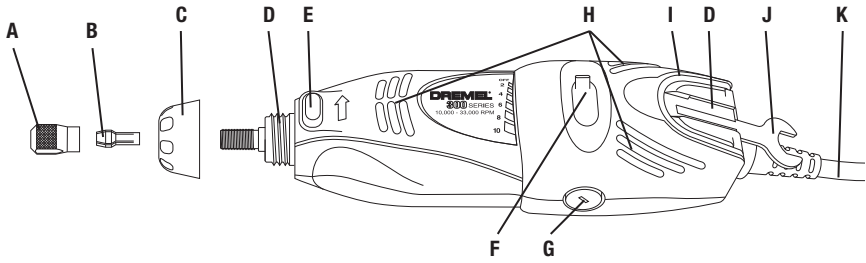
DREMEL[®] 300 SERIES



GB	Original instructions	16	NO	Oversettelse av originalinstruksjonene	56
DE	Übersetzung der originalbedienungsanleitung	21	FI	Käännös alkuperäisistä ohjeista	62
FR	Traduction de la notice originale	27	ET	Algsete juhiste tõlge	67
IT	Traduzione delle istruzioni originali	33	LT	Originalių instrukcijų vertimas	72
NL	Vertaling van de originele gebruiksaanwijzing	39	LV	Sākotnējo norādījumu tulkojums	78
DA	Oversættelse af betjeningsvejledning	46	AR	ترجمة التعليمات الأصلية	85
SV	Översättning av originalinstruktioner	51			

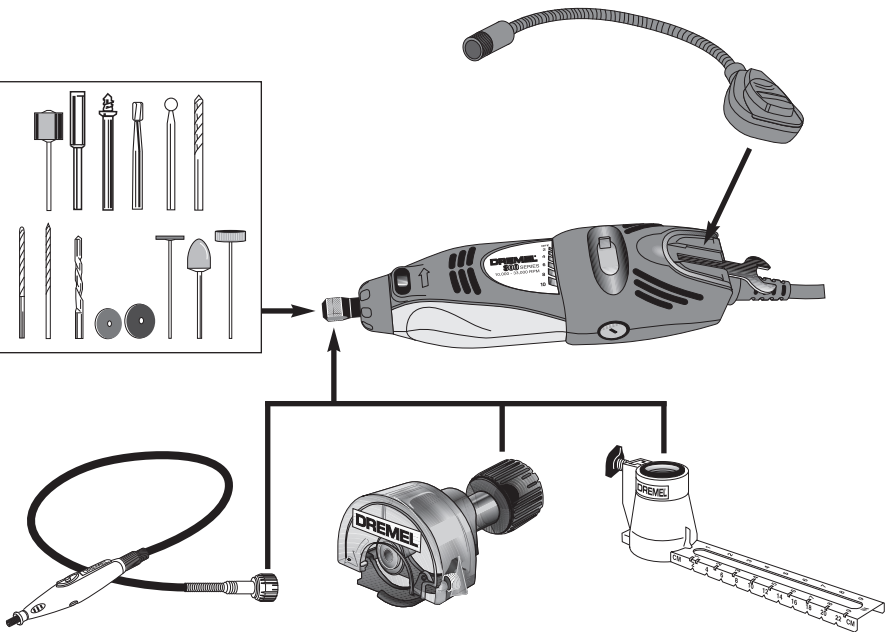
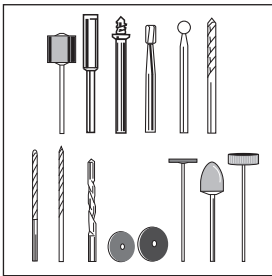
**Dremel Europe
The Netherlands**

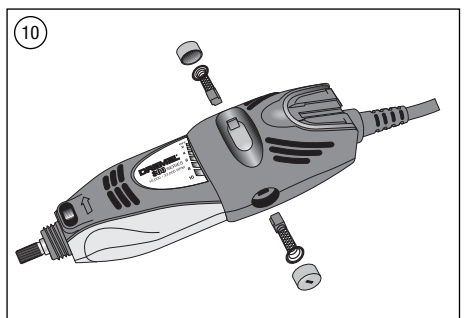
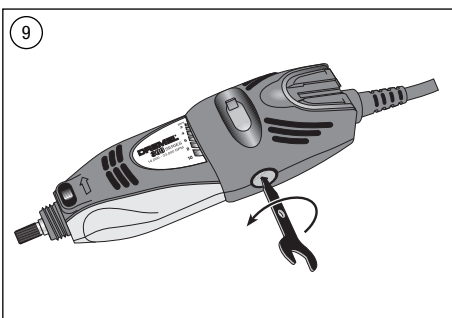
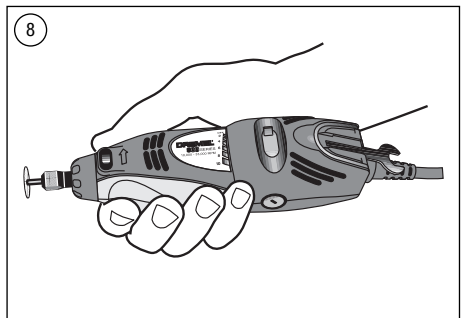
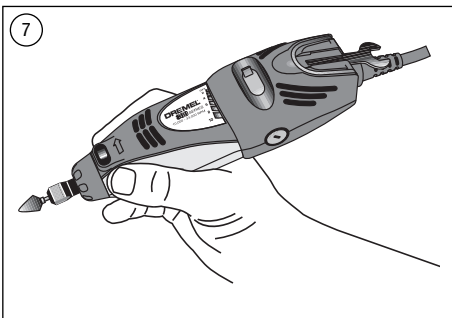
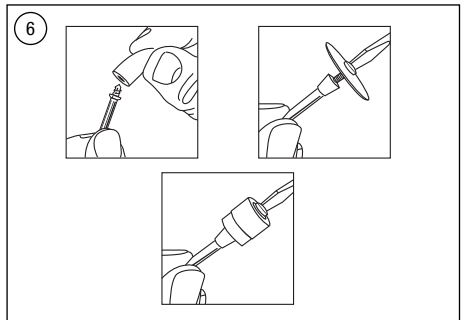
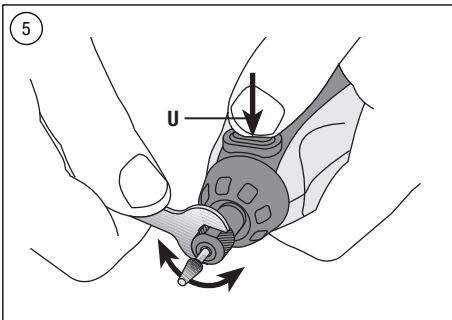
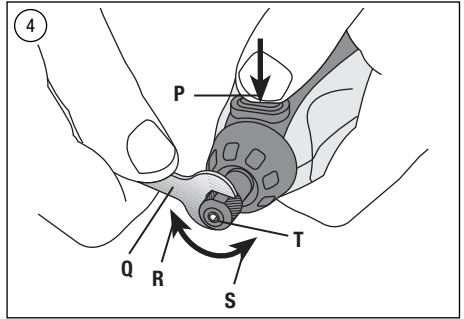
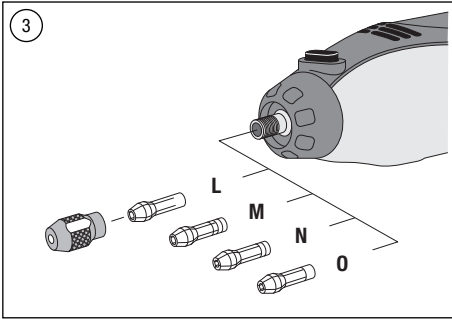
1



2

DREMEL[®] SYSTEM







105	8	10	6	4	6	-	-	-
106	8	10	5	4	6	-	-	-
107	8	10	5	4	6	-	-	-
108	8	10	6	4	6	-	-	-
110	8	10	5	4	6	-	-	-
111	8*	10*	6*	4	6	-	-	-
113	8*	10*	5*	4	6	-	-	-
114	8	6	4	5	6	-	-	-
115	8	10	4	5	6	-	-	-
117	8	6	4	5	6	-	-	-
118	8	10	4	5	8	-	-	-
125	8	6	4	5	6	-	-	-
134	8	6	4	5	6	-	-	-
144	8	6	4	5	6	-	-	-
150	10	8-10	2-4	-	6	-	-	-
191	8	10	4	5	8	-	-	-
192	8	10	4	5	8	-	-	-
193	8	10	4	5	8	-	-	-
194	8	10	4	5	8	-	-	-
196	8	6	4	5	6	-	-	-
199	8	8	4	5	6	-	-	-
403	4	4	2-4	6	6	-	-	-
404	4	4	2-4	6	6	-	-	-
405	4	4	2-4	6	6	-	-	-
407	2-10	2-10	2-6	10	10	2-10	2-10	-
408	2-10	2-10	2-6	10	10	2-10	2-10	-
409	-	-	2-4	10	10	10	10	-
411	8	8	2-4	-	2-4	-	-	-
412	8	8	2-4	-	2-4	-	-	-
413	8	8	2-4	-	2-4	-	-	-
414	-	-	-	6	6	6	6	6
420	-	-	2-4	10	10	10	10	-
422	-	-	-	6	6	6	6	6
423	-	-	-	6-8	6-8	6-8	6-8	6-8
425	-	-	-	8	8	-	-	-
426	-	-	2-4	10	10	10	10	-
428	4	4	2	4	-	-	-	-
429	-	-	-	6	6	6	6	6
430	2-10	2-10	2-6	10	10	2-10	2-10	-
431	2-10	2-10	2-6	10	10	2-10	2-10	-
432	2-10	2-10	2-6	10	10	2-10	2-10	-
438	2-10	2-10	2-6	10	10	2-10	2-10	-
439	2-10	2-10	2-6	10	10	2-10	2-10	-
440	2-10	2-10	2-6	10	10	2-10	2-10	-
442	4	4	2	4	-	-	-	-
443	4	4	2	4	-	-	-	-
444	2-10	2-10	2-6	10	10	2-10	2-10	-
453	-	-	-	8	-	-	-	-
454	-	-	-	8	-	-	-	-
455	-	-	-	8	-	-	-	-

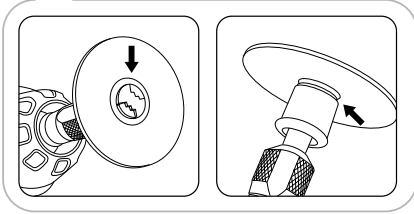
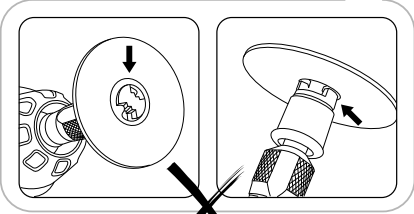
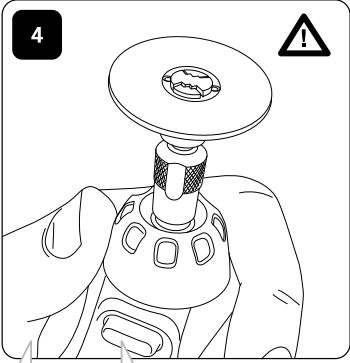
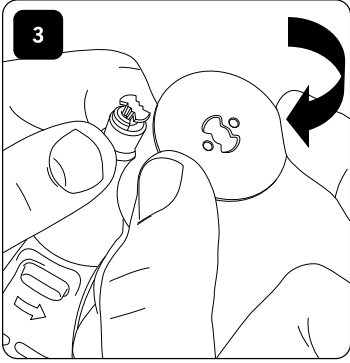
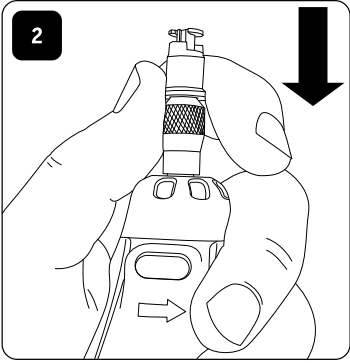
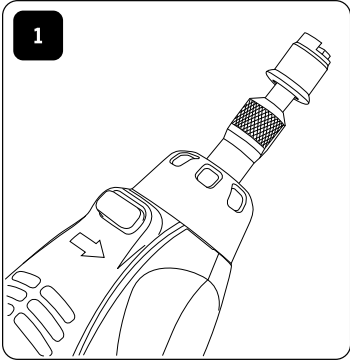


456								
457	-	-	-	8	-	-	-	-
461	-	-	-	8	8	8	8	8
462	-	-	-	8	8	8	8	8
463	-	-	-	8	8	8	8	8
502	6-8	8	2	10	8-10	-	-	-
504	6-8	8	2	10	8-10	-	-	-
511	6	6	4	6	6	-	-	-
516	4-6	4-6	-	8	6	-	-	-
518	4-6	4-6	-	8	6	-	-	-
520	-	-						
530	-	4	-	4	-	-	-	-
531	-	4	-	4	-	-	-	-
532	-	4	-	4	-	-	-	-
535	4	4	-	4	4	4	-	-
536	4	4	-	4	4	4	-	-
537	4	4	-	4	4	4	-	-
538								
540	-	-	2-4	10	10	10	10	-
541	10	10	-	8	4	6	10	-
542	10	8-10	2-4	10	10	10	10	-
545	8-10	8	-	-	-	-	-	-
546								
560	A)							
561	6-10	6-10	2-4	-	10	-	-	-
562	-	-	-	-	-	-	10	-
569	B)							
570	B)							
612	10*	8*	-	-	-	-	-	-
615	10*	8*	-	-	-	-	-	-
640	10*	8*	-	-	-	-	-	-
650	10*	8*	-	-	-	-	-	-
652	10*	8*	-	-	-	-	-	-
654	10*	8*	-	-	-	-	-	-
655	10*	8*	-	-	-	-	-	-
911	10	10	-	8	4	6	10	-
932	10	10	-	8	4	6	10	-
952	10	10	-	8	4	6	10	-
953	10	10	-	8	4	6	10	-
997	10	10	-	8	4	6	10	-
7103	10	8	-	-	-	10	10	10
7105	10	8	-	-	-	10	10	10
7120	10	8	-	-	-	10	10	10
7122	10	8	-	-	-	10	10	10
7123	10	8	-	-	-	10	10	10
7134	10	8	-	-	-	10	10	10
7144	10	8	-	-	-	10	10	10
8153	10	10	-	8	4	6	10	-
8175	10	10	-	8	4	6	10	-
8193	10	10	-	8	4	6	10	-



8215	10	10	-	8	4	6	10	-
9901	8	8	4	8-10	6	8	8-10	8-10
9902	8	8	4	8-10	6	8	8-10	8-10
9903	8	8	4	8-10	6	8	8-10	8-10
9904	8	8	4	8-10	6	8	8-10	8-10
9905	8	8	4	8-10	6	8	8-10	8-10
9909	8	8	4	8-10	6	8	8-10	8-10
9910	8	8	4	8-10	6	8	8-10	8-10
9911	8	8	4	8-10	6	8	8-10	8-10
9931	8	8	4	-	6	-	-	-
9933	8	8	4	-	6	-	-	-
9934	8	8	4	-	6	-	-	-
9936	8	8	4	-	6	-	-	-
83142	-	-	6	10	4	6	10	10
83322	-	-	6	10	4	6	10	10
83702	-	-	6	10	4	6	10	10
84922	-	-	6	10	4	6	10	10
85422	-	-	6	10	4	6	10	10
85602	-	-	6	10	4	6	10	10

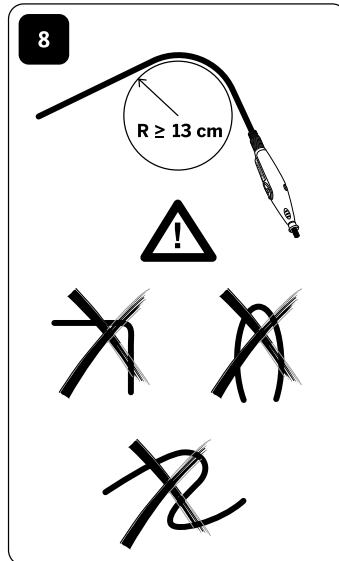
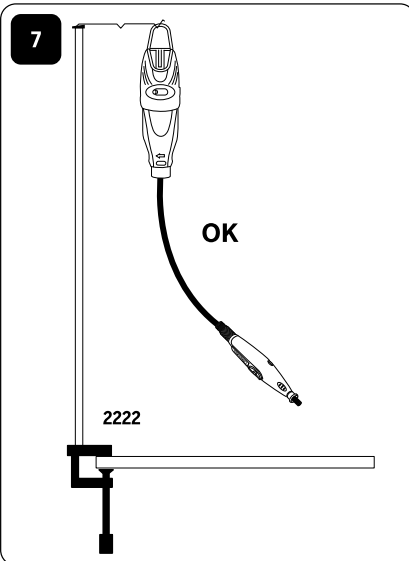
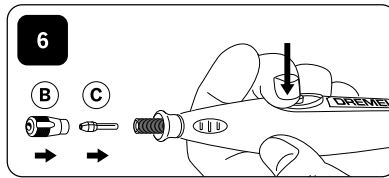
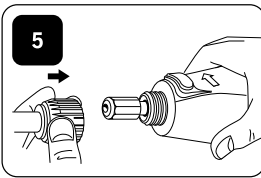
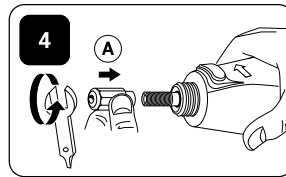
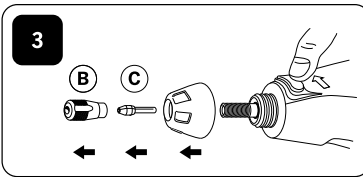
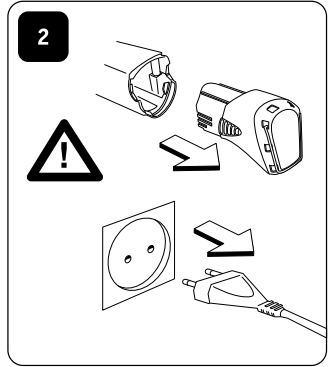
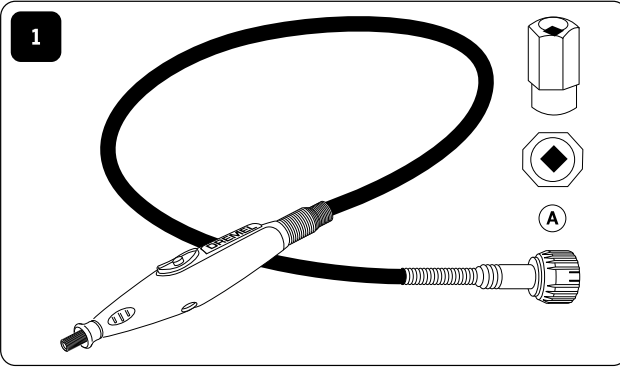
EZ SpeedClic™



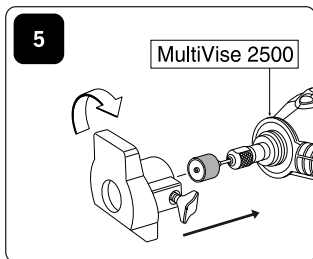
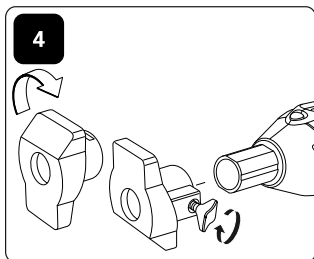
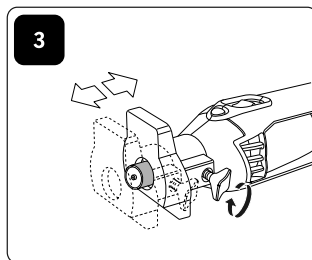
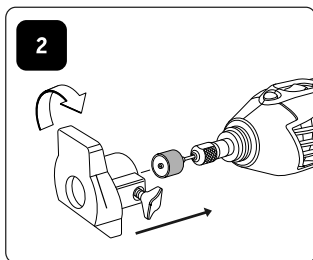
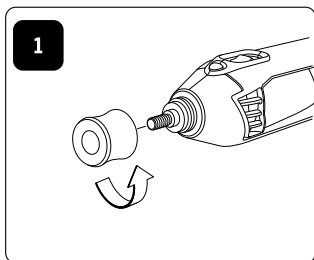
OK



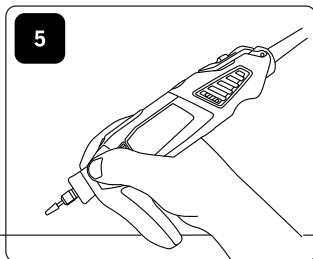
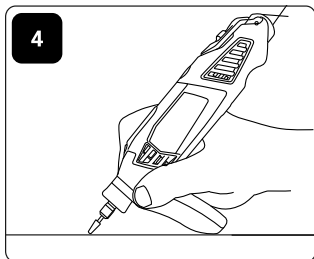
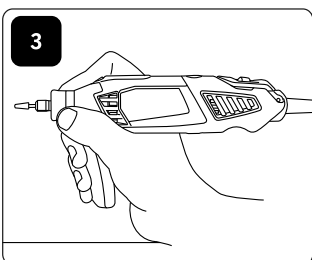
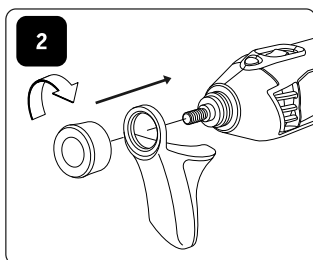
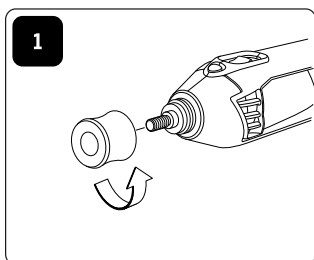
- GB** For optimum performance allow your new Flexshaft to run at high speed on your rotary tool in a vertical position for 2 minutes before use.
- D** Um die Leistung der biegsamen Welle zu erhöhen, unbedingt vor Erstgebrauch 2 Minuten bei hoher Geschwindigkeit in vertikaler Position laufen lassen, bevor Sie damit arbeiten.
- F** Pour obtenir les meilleures performances de votre nouvel arbre flexible, il est important de le router en le faisant tourner à vide, à la vitesse maximum, pendant 2 minutes en position verticale.
- I** Per ottimizzare le performance del vostro nuovo albero flessibile fatelo girare ad alta velocità sul vostro minitensile in posizione verticale per due minuti prima di usarlo.
- NL** Laat uw nieuwe flexibele as voor een optimale prestatie gedurende 2 minuten voor gebruik in verticale positie op hoge snelheid op uw rotatiegereedschap lopen.
- DK** For optimal udnyttelse af den fleksible aksel, anbefales det at den kører ved høj hastighed uden belastning i 2 minutter inden brug.
- S** Kör det roterande verktyget i hög hastighet med den nya böjliga axeln i lodrät position i två minuter innan du använder det för att få bästa prestanda.
- N** For å oppnå optimal ytelse bør du før bruk kjøre den fleksible slangen på full hastighet med det roterende verktøyet i lodrett stilling i 2 minutter.
- FIN** Parhaan mahdollisen käyttötehon varmistamiseksi anna uuden taipuisan akselin käydä suurella nopeudella korkeanopeuksiseen työkaluun kiinnitettynä pystysuorassa asennossa 2 minuutin ajan ennen käyttöä.
- EST** Optimaalse jõudluse tagamiseks laske oma uuel Flexshaft-seadmel enne kasutamist 2 minutit suurel kiirusel vertikaalasendis töötada.
- LT** Kad veiktu optimaliai, prieš pirmąkart naudodami leiskite ant sukamojo frankio uždegtam „Flexshaft“ dideliu greičiu vertikaliai veikti 2 minutes.
- LV** Lai nodrošinātu optimālu ierīces darbību, divas minūtes pirms lietošanas darbiniet jauno, elastīgo skrūvārpstu uz rotošajā rīkā vertikālā stāvoklī.
- AR** للحصول على الأداء الأمثل، اترك موتور Flexshaft الجديد الخاص بك يعمل على سرعة مرتفعة على الأداة الدوارة في وضع عمودي لمدة دقيقتين بعد الاستخدام.



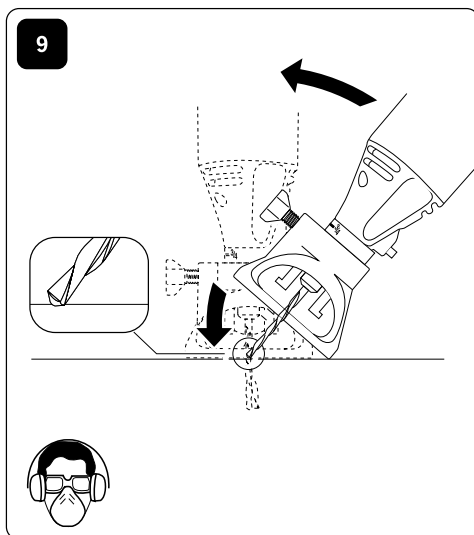
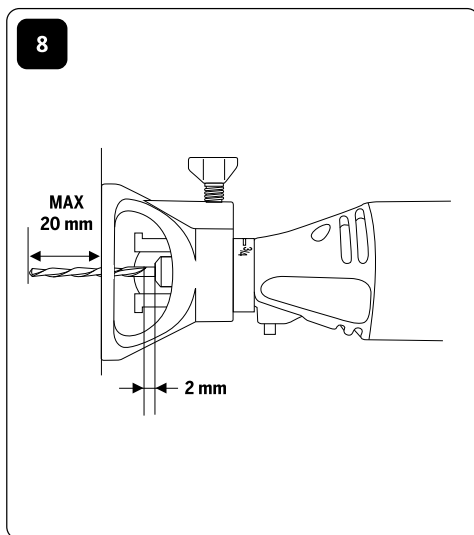
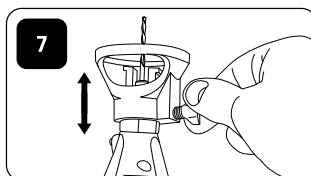
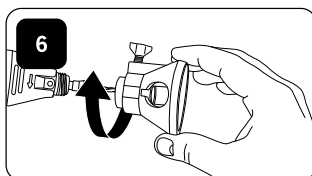
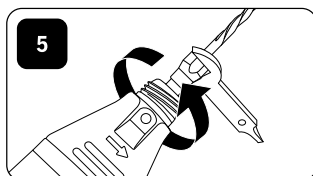
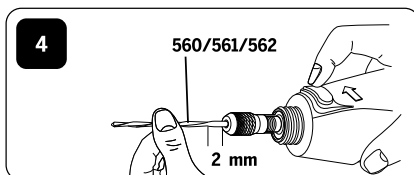
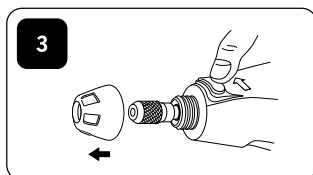
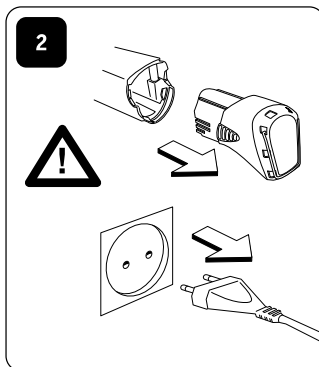
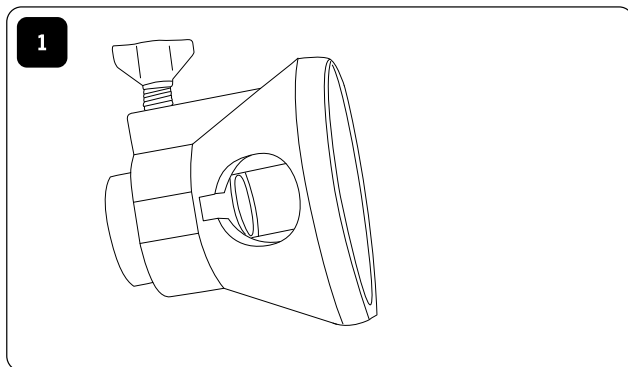
576

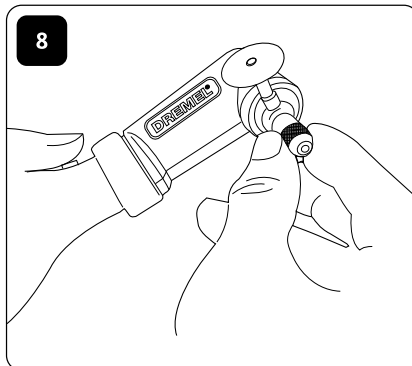
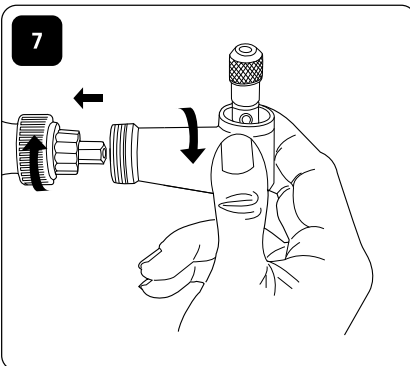
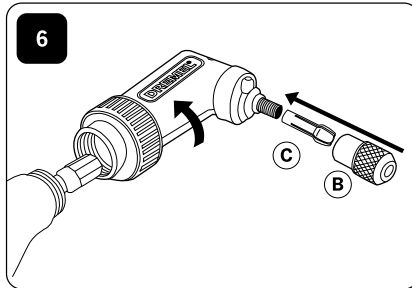
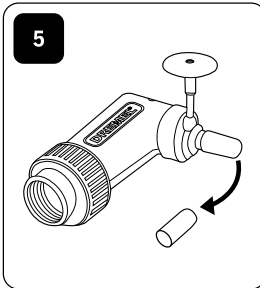
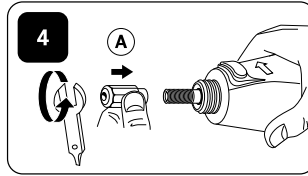
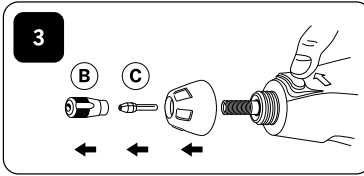
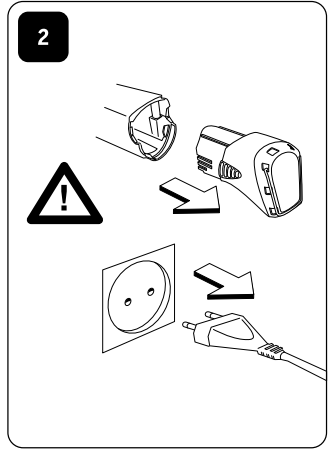
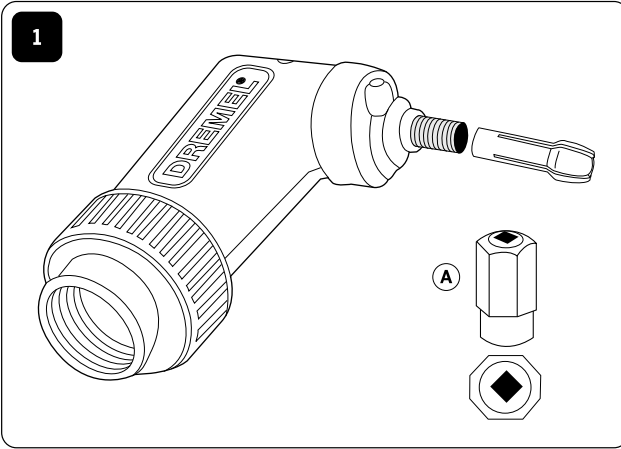


577

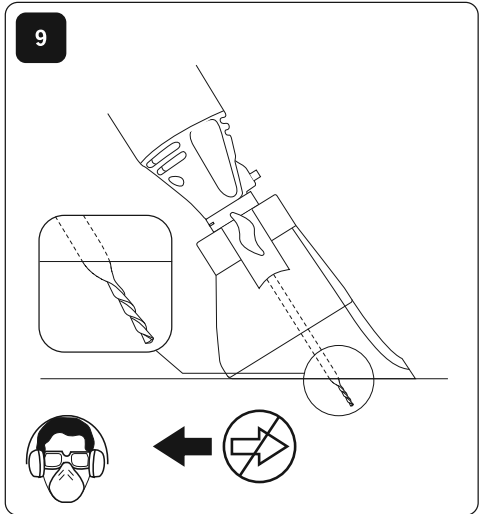
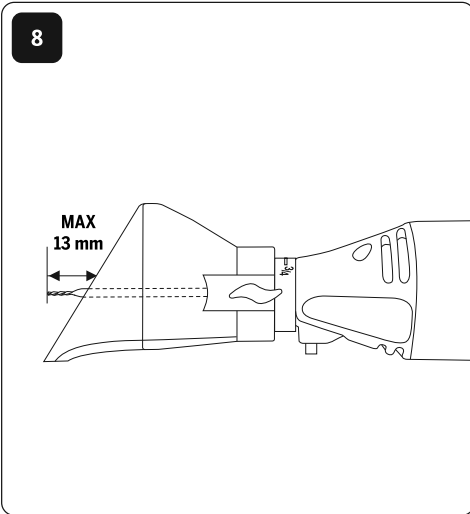
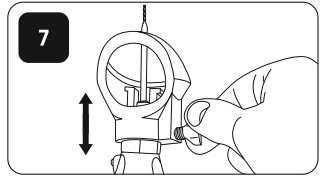
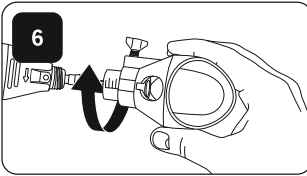
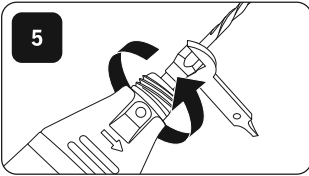
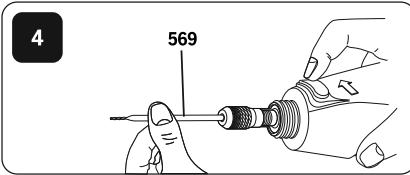
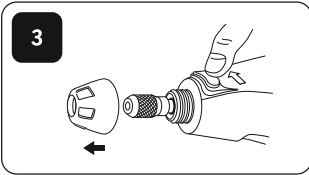
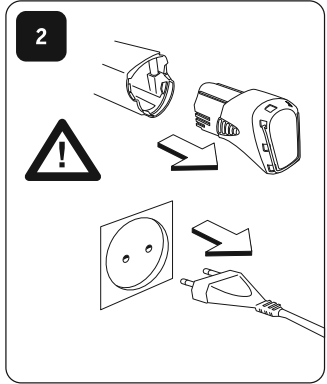
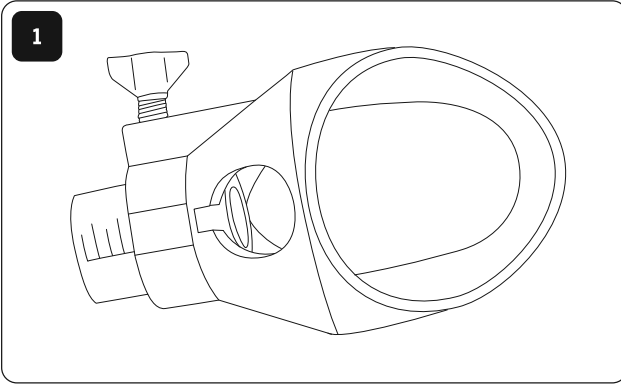


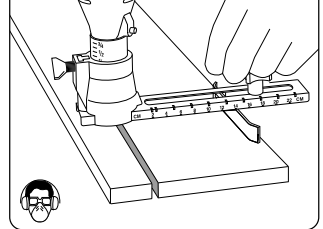
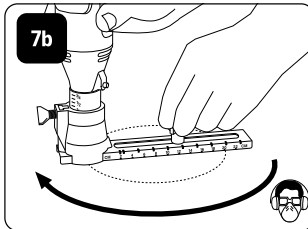
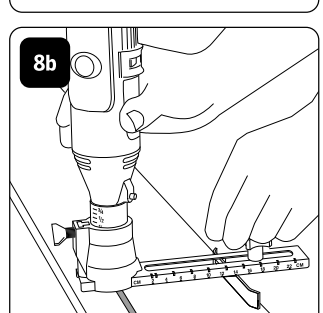
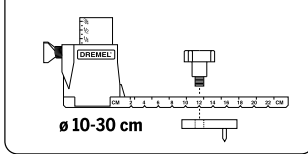
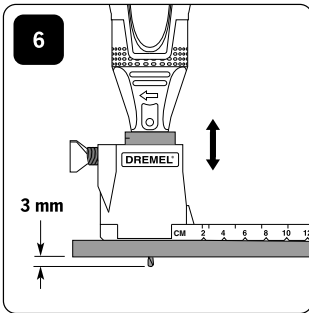
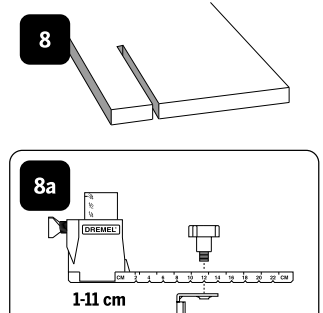
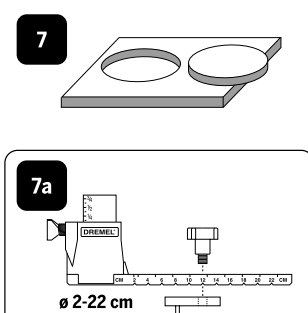
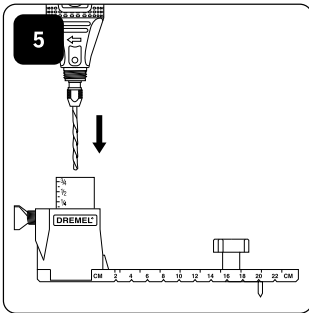
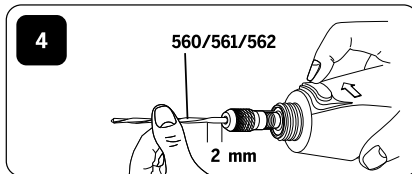
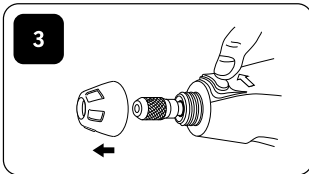
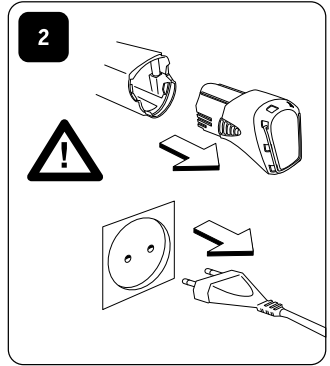
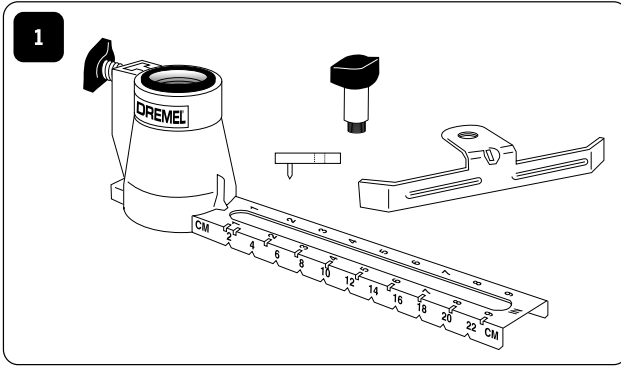
565/566





568







CE DECLARATION OF CONFORMITY We declare under our sole responsibility that this product is in conformity with the following standards or standardized documents: EN60745, EN55014, in accordance with the provisions of the directives 2006/95/EC, 2004/108/EC, 98/37/EC (until Dec. 28, 2009), 2006/42/EC (from Dec. 29, 2009 on).

NOISE/VIBRATION Measured in accordance with EN60745 the sound pressure level of this tool is 69 dB(A) and the sound power level 80 dB(A) (standard deviation: 3 dB), and the vibration 2.5 m/s² (hand-arm method).

Technical file at: SKIL Europe BV (PT-SEU/PJE), 4825 BD Breda, NL.



CE KONFORMITÄTSEKLERÄRING Wir erklären in alleiniger Verantwortung, daß dieses Produkt mit den folgenden Normen oder normativen Dokumenten übereinstimmt: EN60745, EN55014, gemäß den Bestimmungen der Richtlinien 2006/95/EG, 2004/108/EG, 98/37/EG (bis 28.12.2009), 2006/42/EG (ab 29.12.2009).

GERÄUSCH/VIBRATION Gemessen gemäß EN60745 beträgt der Schalldruckpegel dieses Gerätes 69 dB(A) und der Schalleistungspegel 80 dB(A) (Standard- abweichung: 3 dB), und die Vibration 2,5 m/s² (Hand-Arm Methode).

Technische Unterlagen bei: SKIL Europe BV (PT-SEU/PJE), 4825 BD Breda, NL.



CE DÉCLARATION DE CONFORMITÉ Nous déclarons sous notre propre responsabilité que ce produit est en conformité avec les normes ou documents normalisés suivants: EN60745, EN55014, conforme aux réglementations 2006/95/CE, 2004/108/CE, 98/37/CE (jusqu'au 28.12.2009), 2006/42/CE (à partir du 29.12.2009).

BRUIT/VIBRATION Mesuré selon EN60745 le niveau de la pression sonore de cet outil est 69 dB(A) et le niveau de la puissance sonore 80 dB(A) (déviations standard: 3 dB), et la vibration 2,5 m/s² (méthode main-bras).

Dossier technique auprès de: SKIL Europe BV (PT-SEU/PJE), 4825 BD Breda, NL.



CE DICHIARAZIONE DI CONFORMITÀ Dichiaro, assumendo la piena responsabilità di tale dichiarazione, che il prodotto è conforme alle seguenti normative e ai relativi documenti: EN60745, EN55014 in base alle prescrizioni delle direttive 2006/95/EG, 2004/108/EG, 98/37/EG (fino al 28.12.2009), 2006/42/EG (a partire dal 29.12.2009).

RUMOROSITÀ/VIBRAZIONE Misurato in conformità al EN60745 il livello di pressione acustica di questo utensile è 69 dB(A) ed il livello di potenza acustica 80 dB(A) (deviazione standard: 3 dB), e la vibrazione 2,5 m/s² (metodo mano-braccio).

Fascicolo tecnico presso: SKIL Europe BV (PT-SEU/PJE), 4825 BD Breda, NL.



CE CONFORMITEITSVERKLARING Wij verklaren, dat dit product voldoet aan de volgende normen of normatieve documenten: EN60745, EN55014, overeenkomstig de bepalingen van de richtlijnen 2006/95/EG, 2004/108/EG, 98/37/EG (tot 28-12-2009), 2006/42/EG (vanaf 29-12-2009).

GELUID/VIBRATIE Gemeten volgens EN60745 bedraagt het geluidsdrukniveau van deze machine 69 dB(A) en het geluidsvermogen-niveau 80 dB(A) (standaard deviatie: 3 dB), en de vibratie 2,5 m/s² (hand-arm methode).

Technisch dossier bij: SKIL Europe BV (PT-SEU/PJE), 4825 BD Breda, NL.



CE KONFORMITETSERKLÆRING Vi erklærer under almindeligt ansvar, at dette produkt er i overensstemmelse med følgende normer eller normative dokumenter: EN60745, EN55014, i henhold til bestemmelserne i direktiverne 2006/95/EF, 2004/108/EF, 98/37/EF (indtil 28.12.2009), 2006/42/EF (fra 29.12.2009).

STØJ/VIBRATION Måles efter EN60745 er lydtrykniveau af dette værktøj 69 dB(A) og lydeffektniveau 80 dB(A) (standard deviation: 3 dB), og vibrationsniveauet 2,5 m/s² (hand-arm metode).

Technisk dossier hos: SKIL Europe BV (PT-SEU/PJE), 4825 BD Breda, NL.



CE KONFORMITETS FÖRKLÄRING Vår intygar och ansvarar för, att denna produkt överensstämmer med följande norm och dokument: EN60745, EN55014, enl. bestämmelser och riktlinjerna 2006/95/EG, 2004/108/EG, 98/37/EG (till 28.12.2009), 2006/42/EG (from 29.12.2009).

LJUD/VIBRATION Ljudtrycksnivån som uppmätts enligt EN60745 är på denna maskin 69 dB(A) och ljudeffektnivån 80 dB(A) (standard deviation: 3 dB), och vibration 2,5 m/s² (hand-arm metod).

Technisk tillverkningsdokumentation finns hos: SKIL Europe BV (PT-SEU/PJE), 4825 BD Breda, NL.



CE SAMSVARSEKLERING Vi erklærer at det er under vårt ansvar at dette produkt er i samsvar med følgende standarder eller standard-dokumenter: EN60745, EN55014, i samsvar med reguleringer 2006/95/EF, 2004/108/EF, 98/37/EF (frem til 28.12.2009), 2006/42/EF (fra 29.12.2009).

STØY/VIBRASJON Målt ifølge EN60745 er lydtryknivået av dette verktøyet 69 dB(A) og lydstryknivået 80 dB(A) (standard deviasjon: 3 dB), og vibrasjonsnivået 2,5 m/s² (hånd-arm metode).

Techniske underlag hos: SKIL Europe BV (PT-SEU/PJE), 4825 BD Breda, NL.



CE TODISTUS STANDARDINMUKAISUJUEDESTA Todistamme täten ja vastaamme yksin siitä, että tämä tuote on allaluletelujen, standardien ja standardomisasiakirjojen vaatimusten mukainen EN60745, EN55014, seuraavien sääntöjen mukaisesti 2006/95/EY, 2004/108/EY, 98/37/EY (28.12.2009 asti), 2006/42/EY (29.12.2009 alkaen).

MELU/TÄRINÄ Mitattuna EN60745 mukaan työkalun melutaso on 69 dB(A) ja yleensä työkalun äänen voimakkuus on 80 dB(A) (keskihajonta: 3 dB), ja värinäin voimakkuus 2,5 m/s² (käsi-käsivarsi metodi).

Techninen tiedosto kohdasta: SKIL Europe BV (PT-SEU/PJE), 4825 BD Breda, NL.



CE VASTAVUSEKLERATSIOON Kinnitame ainvastutustajana, et see toode vastab järgmistele standarditele või normdokumentidele: EN60745, EN55014 vastavalt direktiivile 2006/95/EÜ, 2004/108/EÜ, 98/37/EÜ (kuni 28.12.2009), 2006/42/EÜ (alates 29.12.2009) nõuetele.

MÜRA/VIBRATSIOON Vastavalt kooskõlas normiga EN60745 läbi viidud mõõtmistele on antud seadme heliühik 69 dB(A) jahelitugevus 80 dB(A) (standardkõrvalekalle: 3 dB), ja vibratsioon 2,5 m/s² (käe-randme-meetod).

Techniline toimik saadaval aadressil: SKIL Europe BV (PT-SEU/PJE), 4825 BD Breda, NL.



CE ATITIKTIES DEKLARACIJA Mes atsakingai pareiškiame, kad šis gaminyas atitinka tokius standartus ir normatyvinius dokumentus: EN60745, EN55014 pagal reglamentų 2006/95/EB, 2004/108/EB, 98/37/EB (iki 2009-12-28), 2006/42/EB (nuo 2009-12-29) nuostatas.

TRIUŠKĖMUNGAS/VIBRACIJA Šio prietaiso triukškingumas buvo išmatuotas pagal EN60745 reikalavimus keliamo triukšmo garso slėgio lygis siekia 69 dB(A) ir akustinio galinumo lygis 80 dB(A) (standartinis nuokrypis: 3 dB), ir vibracijos pagreitis rankos plaštakos srityje tipiniu atveju yra mažesnis, kaip 2,5 m/s².

Techninė byla laikoma: SKIL Europe BV (PT-SEU/PJE), 4825 BD Breda, NL.



CE DEKLARĀCIJA PAR ATBILSTĪBU STANDARTIEM Mēs ar pilnu atbildību paziņojam, ka šis izstrādājums atbilst standartiem vai standartizācijas dokumentiem EN60745, EN55014 un ir saskaņā ar direktīvu 2006/95/ES, 2004/108/ES, 98/37/ES (līdz 28.12.2009) un 2006/42/ES (no 29.12.2009).

TROKŠNIS/VIBRĀCIJA Saskaņā ar standartu EN60745 noteiktās instrumenta radītā trokšņa skaņas spiediena līmenis ir 69 dB(A) un skaņas jaudas līmenis ir 80 dB (A) (pie tipiskās izkliedes: 3 dB), un vibrācijas intensitāte ir 2,5 m/s² (strādājot rokās rēlinā).

Techniskā lieta no: SKIL Europe BV (PT-SEU/PJE), 4825 BD Breda, NL.



إعلان مطابقة المعايير الأوروبية (CE) أننا نقر تحت مسئوليتنا الخاصة بأن هذا المنتج يتوافق مع المعايير أو الوثائق القياسية التالية: EN60745, EN55014, وفقا لل شروط الواردة في التوجيهات 2006/95/EC, 2004/108/EC, 98/37/EC (حتى 28 ديسمبر 2009), 2006/42/EC (من 29 ديسمبر 2009 فصاعدا).

STØJ/VIBRATION Måles efter EN60745 er lydtrykniveau af dette værktøj 69 dB(A) og lydeffektniveau 80 dB(A) (standard deviation: 3 dB), og vibrationsniveauet 2,5 m/s² (hand-arm metode).

Technisk dossier hos: SKIL Europe BV (PT-SEU/PJE), 4825 BD Breda, NL.



Skil Europe B.V. A. v.d. Kloot

**WARNING****READ ALL INSTRUCTIONS.**

Failure to follow all instructions listed below may result in electric shock, fire and/or serious injury. The term "power tool" in all of the warnings listed below refers to your mains-operated (corded) power tool.


SAVE THESE INSTRUCTIONS**1. WORK AREA**

- Keep work area clean and well lit. *Cluttered and dark areas invite accidents.*
- Do not operate power tools in explosive atmospheres, such as in the presence of flammable liquids, gases or dust. *Power tools create sparks which may ignite the dust or fumes.*
- Keep children and bystanders away while operating a power tool. *Distractions can cause you to lose control.*

2. ELECTRICAL SAFETY

- Power tool plugs must match the outlet. Never modify the plug in any way. Do not use any adapter plugs with earthed (grounded) power tools. *Unmodified plugs and matching outlets will reduce risk of electric shock.*
- Avoid body contact with earthed or grounded surfaces such as pipes, radiators, ranges and refrigerators. *There is an increased risk of electric shock if your body is earthed or grounded.*
- Do not expose power tools to rain or wet conditions. *Water entering a power tool will increase the risk of electric shock.*
- Do not abuse the cord. Never use the cord for carrying, pulling or unplugging the power tool. Keep cord away from heat, oil, sharp edges or moving parts. *Damaged or entangled cords increase the risk of electric shock.*
- When operating a power tool outdoors, use an extension cord suitable for outdoor use. *Use of a cord suitable for outdoor use reduces the risk of electric shock.*

3. PERSONAL SAFETY

- Stay alert, watch what you are doing and use common sense when operating a power tool. Do not use a power tool while you are tired or under the influence of drugs, alcohol or medication. *A moment of inattention while operating power tools may result in serious personal injury.*
- 
 Use safety equipment. Always wear eye protection. *Safety equipment such as dust mask, non-skid safety shoes, hard hat, or hearing protection used for appropriate conditions will reduce personal injuries.*
- Avoid accidental starting. Ensure the switch is in the off position before plugging in. *Carrying power tools with your finger on the switch or plugging in power tools that have the switch on invites accidents.*

- Remove any adjusting key or wrench before turning the power tool on. *A wrench or a key left attached to a rotating part of the power tool may result in personal injury.*
- Do not overreach. *Keep proper footing and balance at all times. This enables better control of the power tool in unexpected situations.*
- Dress properly. *Do not wear loose clothing or jewellery. Keep your hair, clothing and gloves away from moving parts. Loose clothes, jewellery or long hair can be caught in moving parts.*
- If devices are provided for the connection of dust extraction and collection facilities, ensure these are connected and properly used. *Use of these devices can reduce dust related hazards.*

4. POWER TOOL USE AND CARE

- Do not force the power tool. Use the correct power tool for your application. *The correct power tool will do the job better and safer at the rate for which it was designed.*
- Do not use the power tool if the switch does not turn it on and off. *Any power tool that cannot be controlled with the switch is dangerous and must be repaired.*
- Disconnect the plug from the power source before making any adjustments, changing accessories, or storing power tools. *Such preventive safety measures reduce the risk of starting the power tool accidentally.*
- Store idle power tools out of the reach of children and do not allow persons unfamiliar with the power tool or these instructions to operate the power tool. *Power tools are dangerous in the hands of untrained users.*
- Maintain power tools. Check for misalignment or binding of moving parts, breakage of parts and any other condition that may affect the power tools operation. If damaged, have the power tool repaired before use. *Many accidents are caused by poorly maintained power tools.*
- Keep cutting tools sharp and clean. *Properly maintained cutting tools with sharp cutting edges are less likely to bind and are easier to control.*
- Use the power tool, accessories and tool bits etc., in accordance with these instructions and in the manner intended for the particular type of power tool, taking into account the working conditions and the work to be performed. *Use of the power tool for operations different from those intended could result in a hazardous situation.*

5. SERVICE

- Have your power tool serviced by a qualified repair person using only identical replacement parts. *This will ensure that the safety of the power tool is maintained.*

SAFETY INSTRUCTIONS FOR ALL OPERATIONS

SAFETY WARNINGS THAT ARE COMMON FOR GRINDING, SANDING, WIRE BRUSHING, POLISHING AND ABRASIVE CUTTING OFF OPERATIONS

- a. This power tool is intended to function as a grinder, sander, wire brush, polisher or cut-off tool. Read all safety warnings, instructions, illustrations and specifications provided with this power tool. *Failure to follow all instructions listed below may result in electric shock, fire and/or serious injury.*
- b. Do not use accessories which are not specifically designed and recommended by the tool manufacturer. *Just because the accessory can be attached to your power tool, it does not assure safe operation.*
- c. The rated speed of the accessory must be at least equal to the maximum speed marked on the power tool. *Accessories running faster than their rated speed can fly apart.*
- d. The outside diameter and the thickness of your accessory must be within the capacity rating of your power tool. *Incorrectly sized accessories cannot be adequately guarded or controlled.*
- e. The arbour size of wheels, flanges, backing pads or any other accessory must properly fit the spindle of the power tool. *Accessories with arbour holes that do not match the mounting hardware of the power tool will run out of balance, vibrate excessively and may cause loss of control.*
- f. Do not use a damaged accessory. Before each use inspect the accessory such as abrasive wheels for chips and cracks, backing pad for cracks, tear or excess wear, wire brush for loose or cracked wires. If power tool or accessory is dropped, inspect for damage or install an undamaged accessory. After inspecting and installing an accessory, position yourself and bystanders away from the plane of the rotating accessory and run the power tool at maximum no load speed for one minute. *Damaged accessories will normally break apart during this test time.*
- g. Wear personal protective equipment. Depending on application, use face shield, safety goggles or safety glasses. As appropriate, wear dust mask, hearing protectors, gloves and shop apron capable of stopping small abrasive or workpiece fragments. *The eye protection must be capable of stopping flying debris generated by various operations. The dust mask or respirator must be capable of filtering particles generated by your operation. Prolonged exposure to high intensity noise may cause hearing loss.*
- h. Keep bystanders a safe distance away from work area. Anyone entering the work area must wear personal protective equipment. *Fragments of workpiece or of a broken accessory may fly away and cause injury beyond immediate area of operation.*
- i. Hold power tool by insulated gripping surfaces only, when performing an operation where the cutting accessory may contact hidden wiring or its own cord. *Cutting accessory contacting a "live" wire may make exposed metal parts of the power tool "live" and shock the operator.*
- j. Position the cord clear of the spinning accessory. *If you lose control, the cord may be cut or snagged and your hand or arm may be pulled into the spinning accessory.*

- k. Never lay the power tool down until the accessory has come to a complete stop. *The spinning accessory may grab the surface and pull the power tool out of your control.*
- l. Do not run the power tool while carrying it at your side. *Accidental contact with the spinning accessory could snag your clothing, pulling the accessory into your body.*
- m. Regularly clean the power tool's air vents. *The motor's fan will draw the dust inside the housing and excessive accumulation of powdered metal may cause electrical hazards.*
- n. Do not operate the power tool near flammable materials. *Sparks could ignite these materials.*
- o. Do not use accessories that require liquid coolants. *Using water or other liquid coolants may result in electrocution or shock.*
- p. **Do not work materials containing asbestos** (asbestos is considered carcinogenic).
- q. **Take protective measures when during work dust can develop that is harmful to one's health, combustible or explosive** (some dusts are considered carcinogenic); wear a dust mask and work with dust/ chip extraction when connectable.

KICKBACK AND RELATED WARNINGS

Kickback is a sudden reaction to a pinched or snagged rotating wheel, backing pad, brush or any other accessory. Pinching or snagging causes rapid stalling of the rotating accessory which in turn causes the uncontrolled power tool to be forced in the direction opposite of the accessory's rotation at the point of the binding. For example, if an abrasive wheel is snagged or pinched by the workpiece, the edge of the wheel that is entering into the pinch point can dig into the surface of the material causing the wheel to climb out or kick out. The wheel may either jump toward or away from the operator, depending on direction of the wheel's movement at the point of pinching. Abrasive wheels may also break under these conditions. Kickback is the result of power tool misuse and/or incorrect operating procedures or conditions and can be avoided by taking proper precautions as given below.

- a. Maintain a firm grip on the power tool and position your body and arm to allow you to resist kickback forces. Always use auxiliary handle, if provided, for maximum control over kickback or torque reaction during start-up. *The operator can control torque reactions or kickback forces, if proper precautions are taken.*
- b. Never place your hand near the rotating accessory. *Accessory may kickback over your hand.*
- c. Do not position your body in the area where power tool will move if kickback occurs. *Kickback will propel the tool in direction opposite to the wheel's movement at the point of snagging.*
- d. Use special care when working corners, sharp edges etc. Avoid bouncing and snagging the accessory. *Corners, sharp edges or bouncing have a tendency to snag the rotating accessory and cause loss of control or kickback.*
- e. Do not attach a saw chain woodcarving blade or toothed saw blade. *Such blades create frequent kickback and loss of control.*

SAFETY WARNINGS SPECIFIC FOR GRINDING AND ABRASIVE CUTTING OFF OPERATIONS

- a. Use only wheel types that are recommended for your power tool and the specific guard designed for the selected wheel. *Wheels for which the power tool was not designed cannot be adequately guarded and are unsafe.*
- b. Wheels must be used only for recommended applications. For example: do not grind with the side of cut-off wheel. *Abrasive cut-off wheels are intended for peripheral grinding, side forces applied to these wheels may cause them to shatter.*
- c. Always use undamaged wheel flanges that are of correct size and shape for your selected wheel. *Proper wheel flanges support the wheel thus reducing the possibility of wheel breakage. Flanges for cut-off wheels may be different from grinding wheel flanges.*
- d. Do not use worn down wheels from larger power tools. *Wheel intended for larger power tool is not suitable for the higher speed of a smaller tool and may burst.*

ADDITIONAL SAFETY WARNINGS SPECIFIC FOR ABRASIVE CUTTING OFF OPERATIONS

- a. Do not "jam" the cut-off wheel or apply excessive pressure. Do not attempt to make an excessive depth of cut. *Overstressing the wheel increases the loading and susceptibility to twisting or binding of the wheel in the cut and the possibility of kickback or wheel breakage.*
- b. Do not position your body in line with and behind the rotating wheel. *When the wheel, at the point of operation, is moving away from your body, the possible kickback may propel the spinning wheel and the power tool directly at you.*
- c. When wheel is binding or when interrupting a cut for any reason, switch off the power tool and hold the power tool motionless until the wheel comes to a complete stop. Never attempt to remove the cut-off wheel from the cut while the wheel is in motion otherwise kickback may occur. *Investigate and take corrective action to eliminate the cause of wheel binding.*
- d. Do not restart the cutting operation in the workpiece. Let the wheel reach full speed and carefully reenter the cut. *The wheel may bind, walk up or kickback if the power tool is restarted in the workpiece.*
- e. Support panels or any oversized workpiece to minimize the risk of wheel pinching and kickback. *Large workpieces tend to sag under their own weight. Supports must be placed under the workpiece near the line of cut and near the edge of the workpiece on both sides of the wheel.*
- f. Use extra caution when making a "pocket cut" into existing walls or other blind areas. *The protruding wheel may cut gas or water pipes, electrical wiring or objects that can cause kickback.*

SAFETY WARNINGS SPECIFIC FOR SANDING OPERATIONS

- a. When sanding, do not use excessively oversized sanding disc paper. Follow manufacturers recommendations, when selecting sanding paper. *Larger sanding paper extending beyond the sanding pad presents a laceration hazard and may cause snagging, tearing of the disc, or kickback.*

SAFETY WARNINGS SPECIFIC FOR POLISHING OPERATIONS

- a. Do not allow any loose portion of the polishing bonnet or its attachment strings to spin freely. Tuck away or trim any loose attachment strings. *Loose and spinning attachment strings can entangle your fingers or snag on the workpiece.*

SAFETY WARNINGS SPECIFIC FOR WIRE BRUSHING OPERATIONS

- a. Be aware that wire bristles are thrown by the brush even during ordinary operation. Do not overstress the wires by applying excessive load to the brush. *The wire bristles can easily penetrate light clothing and/or skin.*
- b. If the use of a guard is recommended for wire brushing, do not allow any interference of the wire wheel or brush with the guard. *Wire wheel or brush may expand in diameter due to work load and centrifugal forces.*

ENVIRONMENT

DISPOSAL

The machine, accessories and packaging should be sorted for environmental-friendly recycling.

ONLY FOR EC COUNTRIES



Do not dispose of power tools into household waste! According the European Guideline 2002/96/EC for Waste Electrical and Electronic Equipment and its implementation into national right, power tools that are no longer usable must be collected separately and disposed of in an environmentally correct manner.

SPECIFICATIONS

GENERAL SPECIFICATIONS

Voltage Rating 230-240 V, 50-60 Hz
Amperage Rating 0.5A
No Load Speed n_r 33,000/min
Collet Capacity 0.8mm, 1.6mm, 2.4mm, 3.2mm

EXTENSION CORDS

Use completely unrolled and safe extension cords with a capacity of 5 Amps.

MOTOR SPECIFICATIONS

This multitool utilizes a variable high speed motor. It is wired for operation on 230-240 volts, 50-60 Hz. Always check that the supply voltage is the same as the voltage indicated on the nameplate of the tool (tools with a rating of 230V or 240V can also be connected to a 220V supply).

ASSEMBLY

ALWAYS UNPLUG MULTITOOL BEFORE CHANGING ACCESSORIES, CHANGING COLLETS, OR SERVICING THE TOOL.

GENERAL

The Dremel multitool is a high quality precision tool that can be used to perform detailed and intricate tasks. The wide range of Dremel accessories and attachments allow you to perform a large variety of tasks. These include tasks such as sanding, carving and engraving and routing, cutting, cleaning and polishing. PICTURE 2

PICTURE 1

- A. Collet nut
- B. Collet
- C. Housing cap
- D. Attachment interface
- E. Shaft Lock Button
- F. On/Off Switch and Variable Speed Dial
- G. Brush cover (one each side)
- H. Ventilation openings
- I. Hanger
- J. Collet Wrench
- K. Power cord

COLLETS

The Dremel accessories available for the multitool come with various shank sizes. Four size collets are available to accommodate the different shank sizes. Collet sizes are identified by the rings on the back of the collet.

PICTURE 3

- L. 3.2 mm Collet without ring (480)
- M. 2.4 mm Collet with three rings (481)
- N. 1.6 mm Collet with two rings (482)
- O. 0.8 mm Collet with one ring (483)

NOTE: Some multitool kits may not include all four collet sizes. Collets are available separately.

Always use the collet which matches the shank size of the accessory you plan to use. Do not force a larger diameter shank into a smaller collet.

CHANGING COLLETS

PICTURE 4

- P. Shaft Lock Button
- Q. Collet Wrench
- R. To tighten
- S. To loosen
- T. Collet Nut

1. Press the shaft lock button, hold down and rotate the shaft by hand until it engages the shaft. Do not engage the shaft lock button while multitool is running.
2. With the shaft lock button engaged, loosen and remove the collet nut. Use the collet wrench if necessary.

3. Remove the collet by pulling it free from the shaft.
4. Install the appropriate size collet fully into the shaft and reinstall the collet nut finger tight. Do not fully tighten the nut when there is no bit or accessory installed.

CHANGING ACCESSORIES

PICTURE 5/6

U. Shaft Lock Button

1. Press the shaft lock button and rotate the shaft by hand until it engages the shaft lock. *Do not engage the shaft lock button while multitool is running.*
2. With the shaft lock button engaged, loosen (do not remove) the collet nut. Use the collet wrench if necessary.
3. Insert the bit or accessory shank fully into the collet.
4. With the shaft lock button engaged, finger tighten the collet nut until the bit or accessory shank is gripped by the collet. *NOTE: Be sure to read the instructions supplied with your Dremel accessory for further information on its use.*

Use only Dremel tested, high performance accessories.

GETTING STARTED

USE

The first step in using the multitool is to get the "feel" of it. Hold it in your hand and feel its weight and balance. Feel the taper of the housing. This taper permits the tool to be grasped much like a pen or pencil. The unique softgrip on the nose allows for added comfort and control during use.

Always hold the tool away from your face. Accessories can be damaged during handling and can fly apart as they come up to speed.

When holding tool, do not cover the ventilation openings with your hand. Blocking the ventilation openings could cause the motor to overheat.

IMPORTANT! Practice on scrap material first to see how the tool's high-speed action performs. Keep in mind that your multitool will perform best by allowing the speed, along with the correct Dremel accessory and attachment, to do the work for you. Do not put pressure on the tool during use, if possible. Instead, lower the spinning accessory lightly to the work surface and allow it to touch the point at which you want to begin. Concentrate on guiding the tool over the work using very little pressure from your hand. Allow the accessory to do the work.

Usually it is better to make a series of passes with the tool rather than to do the entire job with one pass. A gentle touch gives the best control and reduces the chance of error.

For best control in close work, grip the multitool like a pencil between your thumb and forefinger. PICTURE 7

The "golf" grip method is used for heavier operations such as grinding or cutting. PICTURE 8

OPERATING SPEEDS

This tool is a high speed multitool. Its speeds vary from 10,000 to 33,000 RPM. Adjusting the no. of RPM to your project will give

a better end result. To achieve the best results when working with different materials, set the variable speed control to suit the job. To select the right speed for the accessory in use, practice with scrap material first.

NOTE: Speed is affected by voltage changes. A reduced incoming voltage will slow the RPM of the tool, especially at the lowest setting. If your tool appears to be running slowly, increase the speed setting accordingly. The tool may not start at the lowest switch setting in areas where outlet voltage is less than 220 volts. Simply move the speed setting to a higher position to begin operation.

The 300 Series multitool switch settings are marked on the speed control switch. Refer to the Speed Settings chart on pages 4-6 to help determine the proper speed for the material being worked on and the accessory to use.

- A) For use on dry wall. For best results use at 33,000 RPM.
- B) For use on wall and floor grout. Use setting 6-8.
- *) Speed for light cuts. Caution, burning on deep grooves possible.
-) Depending on cutting direction relative to grain.

Most jobs can be accomplished using the tool at the highest setting. However, certain materials (some plastics and metals) can be damaged by high-speed generated heat and should be worked on at relatively low speeds. Low speed operation (15,000 RPM or less) is usually best for polishing operations employing the felt polishing accessories. All brushing applications require lower speeds to avoid wire discharge from the holder. Let the performance of the tool do the work for you when using lower speed settings. Higher speeds are better for hardwoods, metals and glass and for drilling, carving, cutting, routing, shaping and cutting dadoes or rabbets in wood. The settings for approximate RPM's are:

Switch Setting	Speed Range
1-2	10,000-14,000 RPM
3-4	15,000-19,000 RPM
5-6	20,000-24,000 RPM
7-8	25,000-29,000 RPM
9-10	30,000-33,000 RPM

Some guidelines regarding tool speed:

- Plastic and other materials that melt at low temperatures should be cut at low speeds.
- Polishing, buffing and cleaning with a wire brush must be done at speeds not greater than 15,000 RPM to prevent damage to the brush and your material.
- Wood should be cut at high speed.
- Iron or steel should be cut at high speed.
- If a high speed steel cutter starts to vibrate, it usually indicates that it is running too slow.
- Aluminium, copper alloys, lead alloys, zinc alloys and tin may be cut at various speeds, depending on the type of cutting being done. Use a paraffin (not water) or other suitable lubricant on the cutter to prevent the cut material from adhering to the cutter teeth.

NOTE: Increasing pressure on the tool is not the answer when it is not performing properly. Try a different accessory or speed setting to achieve the desired result.

Preventative maintenance performed by unauthorized personnel may result in misplacing of internal wires and components which could cause serious hazard. We recommend that all tool service be performed by a Dremel Service Facility. To avoid injury from unexpected starting or electrical shock, always remove plug from wall outlet before performing service or cleaning.

CARBON BRUSHES

The brushes in your tool have been engineered for many hours of dependable service. To prepare the brushes for use, run the tool at full speed for 5 minutes under no load. This will properly "seat" the brushes, and extend the life of the tool. To maintain peak efficiency of the motor, examine the brushes for wear every 40-50 hours.

Using the tool with worn brushes will permanently damage the motor. Use only original Dremel replacement brushes.' Inspect the multitool brushes after 40-50 hours of use. If the multitool runs erratically, loses power, or makes unusual noises check the brushes for wear and possible replacement. Follow these steps to check/change the multitool brushes:

1. With the power cord unplugged, place the tool on a clean surface. Use the tool wrench as a screwdriver to remove the brush caps. PICTURE 9
2. Remove the brushes from the tool by pulling on the spring that is attached to the carbon brush. If the brush is less than 3mm long and the surface of the brush that touches the commutator is rough or pitted, the carbon brushes should be replaced. Be sure to check both brushes. PICTURE 10
3. If one brush is worn, you should replace both brushes for better performance of your multitool. Remove the spring from the brush, throw away the old brush and place the spring on a new brush.
4. Place the carbon brush and spring back into the tool, there is only one way the brush will fit back into the tool.
5. Replace the brush caps onto the tool by turning the cap in a clockwise direction. To tighten, use the wrench, but DO NOT OVER TIGHTEN! After replacing the brushes the tool should be run at no load; place it on a clean surface and run it freely at full speed for 5 minutes before loading (or using) the tool. This will allow the brushes to "seat" properly and will give you more hours of life from each set of brushes. This will also extend the life of your tool since the commutator surface will also wear better and longer.

CLEANING THE TOOL

DISCONNECT THE PLUG BEFORE CLEANING

Ventilation openings and switch levers must be kept clean and free of foreign matter. Do not attempt to clean by inserting pointed objects through openings.

The tool may be cleaned with compressed air. Always wear safety goggles when cleaning tool with compressed air.

There is no need to lubricate the Dremel multitool.

Certain cleaning agents and solvents will damage plastic parts. Some of these are: gasoline, carbon tetrachloride, chlorinated cleaning solvents, ammonia and household detergents that contain ammonia.

Clean the "soft grip" areas of the tool using a damp cloth. Tougher soiled areas may require more than one wipe application to get clean.

SERVICE AND WARRANTY

This DREMEL product is guaranteed in accordance with statutory/country-specific regulations; damage due to normal wear and tear, overload or improper handling will be excluded from the guarantee.

In case of a complaint, send the tool *undismantled* together with proof of purchase to your dealer.

CONTACT DREMEL

For more information on the Dremel assortment, support and hotline, go to www.dremel.com

Dremel Europe, P.O. Box 3267, 4800 DG Breda, The Netherlands

ÜBERSETZUNG DER ORIGINAL-BEDIENUNGSANLEITUNG



WARNUNG SÄMTLICHE ANWEISUNGEN SIND ZU LESEN. Fehler bei der

Einhaltung der nachstehend aufgeführten Anweisungen können elektrischen Schlag, Brand und/oder schwere Verletzungen verursachen. Der nachfolgend verwendete Begriff "Elektrowerkzeug" bezieht sich auf netzbetriebene Elektrowerkzeuge (mit Netzkabel).

BEWAHREN SIE DIESE ANLEITUNG AUF

1. ARBEITSPLATZ

- Halten Sie Ihren Arbeitsbereich sauber und aufgeräumt. Unordnung und unbeleuchtete Arbeitsbereiche können zu Unfällen führen.
- Arbeiten Sie mit dem Gerät nicht in explosionsgefährdeter Umgebung, in der sich brennbare Flüssigkeiten, Gase oder Stäube befinden. Elektrowerkzeuge erzeugen Funken, die den Staub oder die Dämpfe entzünden können.
- Halten Sie Kinder und andere Personen während der Benutzung des Elektrowerkzeugs fern. Bei Ablenkung können Sie die Kontrolle über das Gerät verlieren.


2. ELEKTRISCHE SICHERHEIT

- Der Anschlussstecker des Gerätes muss in die Steckdose passen. Der Stecker darf in keiner Weise verändert werden. Verwenden Sie keine Adapterstecker gemeinsam mit schutz-

geerdeten Geräten. Unveränderte Stecker und passende Steckdosen verringern das Risiko eines elektrischen Schlages.

- Vermeiden Sie Körperkontakt mit geerdeten Oberflächen wie Rohren, Heizungen, Herden und Kühlschränken. Es besteht ein erhöhtes Risiko durch elektrischen Schlag, wenn Ihr Körper geerdet ist.
- Halten Sie das Gerät von Regen oder Nässe fern. Das Eindringen von Wasser in ein Elektrogerät erhöht das Risiko eines elektrischen Schlages.
- Zweckentfremden Sie das Kabel nicht, um das Gerät zu tragen, aufzuhängen oder um den Stecker aus der Steckdose zu ziehen. Halten Sie das Kabel fern von Hitze, Öl, scharfen Kanten oder sich bewegenden Geräteteilen. Beschädigte oder verwickelte Kabel erhöhen das Risiko eines elektrischen Schlages.
- Wenn Sie mit einem Elektrowerkzeug im Freien arbeiten, verwenden Sie nur Verlängerungskabel, die auch für den Außenbereich zugelassen sind. Die Anwendung eines für den Außenbereich geeigneten Verlängerungskabels verringert das Risiko eines elektrischen Schlages.

3. SICHERHEIT VON PERSONEN

- Seien Sie aufmerksam, achten Sie darauf, was Sie tun und gehen Sie mit Vernunft an die Arbeit mit einem Elektrowerkzeug. Benutzen Sie das Gerät nicht, wenn Sie müde sind oder unter dem Einfluss von Drogen, Alkohol oder Medikamenten stehen. Ein Moment der Unachtsamkeit bei dem Gebrauch des Gerätes kann zu ernsthaften Verletzungen führen.
-  Tragen Sie persönliche Schutzausrüstung und immer eine Schutzbrille. Das Tragen persönlicher Schutzausrüstung, wie Staubmaske, rutschfeste Sicherheitsschuhe, Schutzhelm oder Gehörschutz, je nach Art und Einsatz des Elektrowerkzeuges, verringert das Risiko von Verletzungen.
- Vermeiden Sie eine unbeabsichtigte Inbetriebnahme. Vergewissern Sie sich, dass das Elektrowerkzeug ausgeschaltet ist, bevor Sie den Stecker in die Steckdose stecken. Wenn Sie beim Tragen des Gerätes den Finger am Schalter haben oder das Gerät eingeschaltet an die Stromversorgung anschließen, kann dies zu Unfällen führen.
- Entfernen Sie Einstellwerkzeuge oder Schraubenschlüssel, bevor Sie das Gerät einschalten. Ein Werkzeug oder Schlüssel, der sich in einem drehenden Geräteteil befindet, kann zu Verletzungen führen.
- Überschätzen Sie sich nicht. Sorgen Sie für einen sicheren Stand und halten Sie jederzeit das Gleichgewicht. Dadurch können Sie das Gerät in unerwarteten Situationen besser kontrollieren.
- Tragen Sie geeignete Kleidung. Tragen Sie keine weite Kleidung oder Schmuck. Halten Sie Haare, Kleidung und Handschuhe fern von sich bewegenden Teilen. Lockere Kleidung, Schmuck oder lange Haare können von sich bewegenden Teilen erfasst werden.
- Wenn Staubabsaug- und -auffangeinrichtungen montiert werden können, vergewissern Sie sich, dass diese angeschlossen sind und richtig verwendet werden. Das Verwenden dieser Einrichtungen verringert die Gefährdungen durch Staub.

DE

4. SORGFÄLTIGER UMGANG MIT UND GEBRAUCH VON ELEKTROWERKZEUGEN

- a. Überlasten Sie das Gerät nicht. Verwenden Sie für Ihre Arbeit das dafür bestimmte Elektrowerkzeug. *Mit dem passenden Elektrowerkzeug arbeiten Sie besser und sicherer im angegebenen Leistungsbereich.*
 - b. Benutzen Sie kein Elektrowerkzeug, dessen Schalter defekt ist. *Ein Elektrowerkzeug, das sich nicht mehr ein- oder ausschalten lässt, ist gefährlich und muss repariert werden.*
 - c. Ziehen Sie den Stecker aus der Steckdose, bevor Sie Geräteeinstellungen vornehmen, Zubehörteile wechseln oder das Gerät weglegen. *Diese Vorsichtsmaßnahme verhindert den unbeabsichtigten Start des Gerätes.*
 - d. Bewahren Sie unbenutzte Elektrowerkzeuge außerhalb der Reichweite von Kindern auf. Lassen Sie Personen das Gerät nicht benutzen, die mit diesem nicht vertraut sind oder diese Anweisungen nicht gelesen haben. *Elektrowerkzeuge sind gefährlich, wenn sie von unerfahrenen Personen benutzt werden.*
 - e. Pflegen Sie das Gerät mit Sorgfalt. Kontrollieren Sie, ob bewegliche Geräteteile einwandfrei funktionieren und nicht klemmen, ob Teile gebrochen oder so beschädigt sind, dass die Funktion des Gerätes beeinträchtigt ist. Lassen Sie beschädigte Teile vor dem Einsatz des Gerätes reparieren. *Viele Unfälle haben ihre Ursache in schlecht gewarteten Elektrowerkzeugen.*
 - f. Halten Sie Schneidwerkzeuge scharf und sauber. *Sorgfältig gepflegte Schneidwerkzeuge mit scharfen Schneidkanten verklemmen sich weniger und sind leichter zu führen.*
 - g. Verwenden Sie Elektrowerkzeuge, Zubehör, Einsatzwerkzeuge usw. entsprechend diesen Anweisungen und so, wie es für diesen speziellen Gerätetyp vorgeschrieben ist. Berücksichtigen Sie dabei die Arbeitsbedingungen und die auszuführende Tätigkeit. *Der Gebrauch von Elektrowerkzeugen für andere als die vorgesehenen Anwendungen kann zu gefährlichen Situationen führen.*
- b. Verwenden Sie kein Zubehör, das vom Hersteller nicht speziell für dieses Elektrowerkzeug vorgesehen und empfohlen wurde. *Nur weil Sie das Zubehör an Ihrem Elektrowerkzeug befestigen können, garantiert das keine sichere Verwendung.*
 - c. Die zulässige Drehzahl des Einsatzwerkzeugs muss mindestens so hoch sein wie die auf dem Elektrowerkzeug angegebene Höchstzahl. *Zubehör, das sich schneller als zulässig dreht, kann zerstört werden.*
 - d. Außendurchmesser und Dicke des Einsatzwerkzeugs müssen den Maßangaben Ihres Elektrowerkzeugs entsprechen. *Falsch bemessene Einsatzwerkzeuge können nicht ausreichend abgeschirmt oder kontrolliert werden.*
 - e. Schleifscheiben, Flansche, Schleifteller oder anderes Zubehör müssen genau auf die Schleifspindel Ihres Elektrowerkzeugs passen. *Einsatzwerkzeuge, die nicht genau auf die Schleifspindel des Elektrowerkzeugs passen, drehen sich ungleichmäßig, vibrieren sehr stark und können zum Verlust der Kontrolle führen.*
 - f. Verwenden Sie keine beschädigten Einsatzwerkzeuge. Kontrollieren Sie vor jeder Verwendung Einsatzwerkzeuge wie Schleifscheiben auf Absplitterungen und Risse, Schleifteller auf Risse, Verschleiß oder starke Abnutzung, Drahtbürsten auf lose oder gebrochene Drähte. Wenn das Elektrowerkzeug oder das Einsatzwerkzeug herunterfällt, überprüfen Sie, ob es beschädigt ist, oder verwenden Sie ein unbeschädigtes Einsatzwerkzeug. Wenn Sie das Einsatzwerkzeug kontrolliert und eingesetzt haben, halten Sie und in der Nähe befindliche Personen sich außerhalb der Ebene des rotierenden Einsatzwerkzeugs auf und lassen Sie das Elektrowerkzeug eine Minute lang mit Höchstzahl laufen. *Beschädigte Einsatzwerkzeuge brechen meist in dieser Zeit.*
 - g. Tragen Sie persönliche Schutzausrüstung. Verwenden Sie je nach Anwendung Vollgesichtsschutz, Augenschutz oder Schutzbrille. Soweit angemessen, tragen Sie Staubmaske, Gehörschutz, Schutzhandschuhe oder Spezialschürze, die kleine Schleif- und Materialpartikel von Ihnen fernhält. *Die Augen sollen vor herumfliegenden Fremdkörpern geschützt werden, die bei verschiedenen Anwendungen entstehen. Staub- oder Atemschutzmaske müssen den bei der Anwendung entstehenden Staub filtern. Wenn Sie lange lautem Lärm ausgesetzt sind, können Sie einen Hörverlust erleiden.*
 - h. Achten Sie bei anderen Personen auf sicheren Abstand zu Ihrem Arbeitsbereich. Jeder, der den Arbeitsbereich betritt, muss persönliche Schutzausrüstung tragen. *Bruchstücke des Werkstücks oder gebrochener Einsatzwerkzeuge können wegfiegen und Verletzungen auch außerhalb des direkten Arbeitsbereichs verursachen.*
 - i. Fassen Sie das Elektrowerkzeug nur an isolierten Griffflächen an, wenn Sie Arbeiten ausführen, bei denen das Einsatzwerkzeug verborgene Stromleitungen oder das eigene Netzkabel treffen kann. *Kontakt mit einer spannungsführenden Leitung setzt auch Metallteile des Elektrowerkzeuges unter Spannung und führt zu einem elektrischen Schlag.*
 - j. Halten Sie das Netzkabel von sich drehenden Einsatzwerkzeugen fern. *Wenn Sie die Kontrolle über das Elektrowerkzeug verlieren, kann das Netzkabel durchtrennt*

5. SERVICE

- a. Lassen Sie Ihr Gerät nur von qualifiziertem Fachpersonal und nur mit Original-Ersatzteilen reparieren. *Damit wird sichergestellt, dass die Sicherheit des Gerätes erhalten bleibt.*

SICHERHEITSANWEISUNGEN ZU ALLEN BETRIEBSARTEN

GEMEINSAME WARNHINWEISE ZUM SCHLEIFEN, SANDPAPIERSCHLEIFEN, ARBEITEN MIT DRAHTBÜRSTEN, POLIEREN UND TRENNSCHLEIFEN

- a. Dieses Elektrowerkzeug ist zu verwenden als Schleifer, Sandpapierschleifer, Drahtbürste, Polierer und Trennschleifmaschine. Beachten Sie alle Warnhinweise, Anweisungen, Darstellungen und Daten, die Sie mit dem Elektrowerkzeug erhalten. *Wenn Sie die folgenden Anweisungen nicht beachten, kann es zu elektrischem Schlag, Feuer und/oder schweren Verletzungen kommen.*

- oder erfasst werden und Ihre Hand oder Ihr Arm in das sich drehende Einsatzwerkzeug geraten.
- k. Legen Sie das Elektrowerkzeug niemals ab, bevor das Einsatzwerkzeug völlig zum Stillstand gekommen ist. *Das sich drehende Einsatzwerkzeug kann in Kontakt mit der Ablagefläche geraten, wodurch Sie die Kontrolle über das Elektrowerkzeug verlieren können.*
 - l. Lassen Sie das Elektrowerkzeug nicht laufen, während Sie es tragen. *Ihre Kleidung kann durch zufälligen Kontakt mit dem sich drehenden Einsatzwerkzeug erfasst werden, und das Einsatzwerkzeug sich in Ihren Körper bohren.*
 - m. Reinigen Sie regelmäßig die Lüftungsschlitze Ihres Elektrowerkzeugs. *Das Motorgebläse zieht Staub in das Gehäuse, und eine starke Ansammlung von Metallstaub kann elektrische Gefahren verursachen.*
 - n. Verwenden Sie das Elektrowerkzeug nicht in der Nähe brennbarer Materialien. *Funken können diese Materialien entzünden.*
 - o. Verwenden Sie keine Einsatzwerkzeuge, die flüssige Kühlmittel erfordern. *Die Verwendung von Wasser oder anderen flüssigen Kühlmitteln kann zu einem elektrischen Schlag führen.*
 - p. **Bearbeiten Sie kein asbesthaltiges Material** (Asbest gilt als krebserregend).
 - q. **Treffen Sie Schutzmaßnahmen, wenn beim Arbeiten gesundheitsschädliche, brennbare oder explosive Stäube entstehen können** (manche Stäube gelten als krebserregend); tragen Sie eine Staubschutzmaske und verwenden Sie, wenn anschließbar, eine Staub-/ Späneabsaugung.
- b. Bringen Sie Ihre Hand nie in die Nähe sich drehender Einsatzwerkzeuge. *Das Einsatzwerkzeug kann sich beim Rückschlag über Ihre Hand bewegen.*
 - c. Meiden Sie mit Ihrem Körper den Bereich, in den das Elektrowerkzeug bei einem Rückschlag bewegt wird. *Der Rückschlag treibt das Elektrowerkzeug in die Richtung entgegengesetzt zur Bewegung der Schleifscheibe an der Blockierstelle.*
 - d. Arbeiten Sie besonders vorsichtig im Bereich von Ecken, scharfen Kanten usw. Verhindern Sie, dass Einsatzwerkzeuge vom Werkstück zurückprallen und verklemmen. *Das rotierende Einsatzwerkzeug neigt bei Ecken, scharfen Kanten oder wenn es abprallt dazu, sich zu verklemmen. Dies verursacht einen Kontrollverlust oder Rückschlag.*
 - e. Verwenden Sie kein Ketten- oder gezähntes Sägeblatt. *Solche Einsatzwerkzeuge verursachen häufig einen Rückschlag oder den Verlust der Kontrolle über das Elektrowerkzeug.*

BESONDERE WARNHINWEISE ZUM SCHLEIFEN UND TRENNSCHLEIFEN

- a. Verwenden Sie ausschließlich die für Ihr Elektrowerkzeug zugelassenen Schleifkörper und die für diese Schleifkörper vorgesehene Schutzhaube. *Schleifkörper, die nicht für das Elektrowerkzeug vorgesehen sind, können nicht ausreichend abgeschirmt werden und sind unsicher.*
- b. Schleifkörper dürfen nur für die empfohlenen Einsatzmöglichkeiten verwendet werden. Z. B.: Schleifen Sie nie mit der Seitenfläche einer Trennscheibe. *Trennscheiben sind zum Materialabtrag mit der Kante der Scheibe bestimmt. Seitliche Kräfteinwirkung auf diese Schleifkörper kann sie zerbrechen.*
- c. Verwenden Sie immer unbeschädigte Spannf lansche in der richtigen Größe und Form für die von Ihnen gewählte Schleifscheibe. *Geeignete Flansche stützen die Schleifscheibe und verringern so die Gefahr eines Schleifscheibenbruchs. Flansche für Trennscheiben können sich von den Flanschen für andere Schleifscheiben unterscheiden.*
- d. Verwenden Sie keine abgenutzten Schleifscheiben von größeren Elektrowerkzeugen. *Schleifscheiben für größere Elektrowerkzeuge sind nicht für die höheren Drehzahlen von kleineren Elektrowerkzeugen ausgelegt und können brechen.*

WEITERE BESONDERE WARNHINWEISE ZUM TRENNSCHLEIFEN

- a. Vermeiden Sie ein Blockieren der Trennscheibe oder zu hohen Anpressdruck. Führen Sie keine übermäßig tiefen Schnitte aus. *Eine Überlastung der Trennscheibe erhöht deren Beanspruchung und die Anfälligkeit zum Verkanten oder Blockieren und damit die Möglichkeit eines Rückschlags oder Schleifkörperbruchs.*
- b. Meiden Sie den Bereich vor und hinter der rotierenden Trennscheibe. *Wenn Sie die Trennscheibe im Werkstück von sich wegbewegen, kann im Falle eines Rückschlags das Elektrowerkzeug mit der sich drehenden Scheibe direkt auf Sie zugeschleudert werden.*
- c. Falls die Trennscheibe verklemmt oder Sie die Arbeit unterbrechen, schalten Sie das Elektrowerkzeug aus und halten Sie es ruhig, bis die Scheibe zum Stillstand gekommen ist. Versuchen Sie nie, die noch laufende Trennscheibe aus

RÜCKSCHLAG UND ENTSPRECHENDE WARNHINWEISE

Rückschlag ist die plötzliche Reaktion infolge eines hakenden oder blockierten drehenden Einsatzwerkzeugs, wie Schleifscheibe, Schleifteller, Drahtbürste usw. Verhaken oder Blockieren führt zu einem abrupten Stopp des rotierenden Einsatzwerkzeugs. Dadurch wird ein unkontrolliertes Elektrowerkzeug gegen die Drehrichtung des Einsatzwerkzeugs an der Blockierstelle beschleunigt. Wenn z. B. eine Schleifscheibe im Werkstück hakt oder blockiert, kann sich die Kante der Schleifscheibe, die in das Werkstück eintaucht, fangen und dadurch die Schleifscheibe ausbrechen oder einen Rückschlag verursachen. Die Schleifscheibe bewegt sich dann auf die Bedienperson zu oder von ihr weg, je nach Drehrichtung der Scheibe an der Blockierstelle. Hierbei können Schleifscheiben auch brechen. Ein Rückschlag ist die Folge eines falschen oder fehlerhaften Gebrauchs des Elektrowerkzeugs. Er kann durch geeignete Vorsichtsmaßnahmen, wie nachfolgend beschrieben, verhindert werden.

- a. Halten Sie das Elektrowerkzeug gut fest und bringen Sie Ihren Körper und Ihre Arme in eine Position, in der Sie die Rückschlagkräfte abfangen können. Verwenden Sie immer den Zusatzgriff, falls vorhanden, um die größtmögliche Kontrolle über Rückschlagkräfte oder Reaktionsmomente beim Hochlauf zu haben. *Die Bedienperson kann durch geeignete Vorsichtsmaßnahmen die Rückschlag- und Reaktionskräfte beherrschen.*

dem Schnitt zu ziehen, sonst kann ein Rückschlag erfolgen.
Ermitteln und beheben Sie die Ursache für das Verklemmen.

- d. Schalten Sie das Elektrowerkzeug nicht wieder ein, solange es sich im Werkstück befindet. Lassen Sie die Trennscheibe erst ihre volle Drehzahl erreichen, bevor Sie den Schnitt vorsichtig fortsetzen. *Anderenfalls kann die Scheibe verhaken, aus dem Werkstück springen oder einen Rückschlag verursachen.*
- e. Stützen Sie Platten oder große Werkstücke ab, um das Risiko eines Rückschlags durch eine eingeklemmte Trennscheibe zu vermindern. *Große Werkstücke können sich unter ihrem eigenen Gewicht durchbiegen. Das Werkstück muss auf beiden Seiten abgestützt werden, und zwar sowohl in der Nähe des Trennschnitts als auch an der Kante.*
- f. Seien Sie besonders vorsichtig bei „Taschenschnitten“ in bestehende Wände oder andere nicht einsehbare Bereiche. *Die eintauchende Trennscheibe kann beim Schneiden in Gas- oder Wasserleitungen, elektrische Leitungen oder andere Objekte einen Rückschlag verursachen.*

BESONDERE WARNHINWEISE ZUM SANDPAPIERSCHLEIFEN

- a. Benutzen Sie keine überdimensionierten Schleifblätter, sondern befolgen Sie die Herstellerangaben zur Schleifblattgröße. *Schleifblätter, die über den Schleifteller hinausragen, können Verletzungen verursachen sowie zum Blockieren, Zerreißen der Schleifblätter oder zum Rückschlag führen.*

BESONDERE WARNHINWEISE ZUM POLIEREN

- a. Lassen Sie keine losen Teile der Polierhaube, insbesondere Befestigungsschnüre, zu. Verstauen oder kürzen Sie die Befestigungsschnüre. *Lose, sich mitdrehende Befestigungsschnüre können Ihre Finger erfassen oder sich im Werkstück verfangen.*

BESONDERE WARNHINWEISE ZUM ARBEITEN MIT DRAHTBÜRSTEN

- a. Beachten Sie, dass die Drahtbürste auch während des üblichen Gebrauchs Drahtstücke verliert. Überlasten Sie die Drähte nicht durch zu hohen Anpressdruck. *Wegfliegende Drahtstücke können sehr leicht durch dünne Kleidung und/oder die Haut dringen.*
- b. Wird eine Schutzhaube empfohlen, verhindern Sie, dass sich Schutzhaube und Drahtbürste berühren können. *Teller- und Topfbürsten können durch Anpressdruck und Zentrifugalkräfte ihren Durchmesser vergrößern.*

UMGEBUNG

ENTSORGUNG

Elektrowerkzeuge, Zubehör und Verpackungen sollen einer umweltgerechten Wiederverwertung zugeführt werden.

NUR FÜR EU-LÄNDER



Werfen Sie Elektrowerkzeuge nicht in den Hausmüll! Gemäß der Europäischen Richtlinie 2002/96/EG über Elektro- und Elektronik-Altgeräte und ihrer Umsetzung in nationales Recht müssen nicht mehr gebrauchsfähige Elektrowerkzeuge getrennt gesammelt und einer umweltgerechten Wiederverwertung zugeführt werden.

SPEZIFIKATIONEN

ALLGEMEINE SPEZIFIKATIONEN

Spannung	230-240 V, 50-60 Hz
Stromstärke	0,5 A
Leerlaufdrehzahl	n ₀ 33.000 U/min
Spannzangen für	0,8 mm, 1,6 mm, 2,4 mm, 3,2 mm

VERLÄNGERUNGSKABEL

Verwenden Sie nur vollständig abgewickelte und unbeschädigte Verlängerungskabel mit einer Kapazität von mindestens 5 A.

MOTORSPEZIFIKATIONEN

Dieses Multitool arbeitet mit einem Hochgeschwindigkeitsmotor mit variabler Drehzahl. Es wurde für den Betrieb mit 230-240 Volt bei 50-60 Hz konzipiert. Vergewissern Sie sich stets, dass die Eingangsspannung mit der auf dem Typenschild des Werkzeugs angegebenen Spannung übereinstimmt (Werkzeug mit einer Angabe 230 V oder 240 V können auch an eine Spannungsquelle von 220 V angeschlossen werden).

MONTAGE

ZIEHEN SIE DEN STECKER DES MULTITOOL IMMER AB, BEVOR SIE DIE ZUBEHÖRTEILE ODER SPANNZANGEN WECHSELN ODER SERVICEARBEITEN AM WERKZEUG DURCHFÜHREN.

ALLGEMEIN

Dremel Multitool ist ein hochpräzises Werkzeug für besonders feine und detaillierte Arbeiten. Das breite Spektrum der Dremel Zubehörteile und Vorsatzgeräte bietet Ihnen eine große Vielzahl von Anwendungen. Hierzu gehört beispielsweise Schleifen, Schnitzen, Gravieren, Fräsen, Schneiden/Trennen, Reinigen/Säubern und Polieren. **ABBILDUNG 2**

ABBILDUNG 1

- A. Spannmutter
- B. Spannzange
- C. Gehäusekappe
- D. Vorsatzgerät-Anschluss
- E. Spindelarretierung
- F. Ein/Aus- und Drehzahlwahlschalter
- G. Bürstenabdeckung (beidseitig)
- H. Lüftungsschlitze

- I. Aufhängevorrichtung
- J. Spannzangenschlüssel
- K. Netzanschlussleitung

SPANNZANGEN

Dremel Multitool Zubehöreile haben unterschiedliche Schaftdurchmesser. Für diese unterschiedlichen Durchmesser stehen vier Spannzangen zur Verfügung. Die Größe der Spannzange ist jeweils an den Ringen auf der Rückseite der Spannzange erkennbar.

ABBILDUNG 3

- L. 3,2 mm Spannzange ohne Ring (480)
- M. 2,4 mm Spannzange mit drei Ringen (481)
- N. 1,6 mm Spannzange mit zwei Ringen (482)
- O. 0,8 mm Spannzange mit einem Ring (483)

HINWEIS: Manche Multitool Kits enthalten nicht alle vier Spannzangen. Spannzangen sind separat als Zubehör erhältlich.

Verwenden Sie stets die für den Schaftdurchmesser des Zubehörteils passende Spannzange. Drücken Sie einen Schaft mit einem größeren Durchmesser niemals gewaltsam in eine kleinere Spannzange.

WECHSELN VON SPANNZANGEN

ABBILDUNG 4

- P. Spindelarrretierung
- Q. Spannzangenschlüssel
- R. Anziehen
- S. Lösen
- T. Spannmutter

1. Drücken Sie den Spindelarrretierungsknopf, halten Sie ihn gedrückt und drehen Sie den Schaft von Hand, bis er blockiert. Betätigen Sie die Spindelarrretierung nie bei laufendem Werkzeug.
2. Lösen Sie bei gedrücktem Spindelarrretierungsknopf die Spannmutter und nehmen Sie sie ab. Verwenden Sie ggf. den Spannzangenschlüssel.
3. Ziehen Sie die Spannzange von der Spindel ab.
4. Setzen Sie die Spannzange der gewünschten Größe vollständig in die Spindel ein und ziehen Sie die Spannmutter leicht an. Ziehen Sie die Mutter nie vollständig fest, wenn kein Zubehörteil eingesetzt ist.

WECHSELN VON ZUBEHÖRTEILEN

ABBILDUNG 5/6

- U. Spindelarrretierungsknopf

1. Drücken Sie den Spindelarrretierungsknopf und drehen Sie den Schaft von Hand, bis er blockiert. *Betätigen Sie die Spindelarrretierung nie bei laufendem Werkzeug.*
2. Lösen Sie bei gedrücktem Spindelarrretierungsknopf die Spannmutter ohne sie abzunehmen. Verwenden Sie ggf. den Spannzangenschlüssel.
3. Schieben Sie den Schaft des Zubehörteils vollständig in die Spannzange.

4. Ziehen Sie die Spannmutter bei betätigter Spindelarrretierung mit der Hand an, bis die Spannzange den Schaft des Zubehörteils greift.

HINWEIS: Beachten Sie unbedingt auch die Bedienungs- und Sicherheitshinweise des jeweiligen Zubehörteils!

Verwenden Sie nur Dremel-geprüfte Hochleistungs-Zubehörkomponenten.

ERSTE SCHRITTE

VERWENDUNG

Als ersten Schritt für die Verwendung des Multitool sollten Sie ein Gefühl für das Werkzeug bekommen. Nehmen Sie das Werkzeug in die Hand und machen Sie sich mit seinem Gewicht und Schwerpunkt vertraut. Beachten Sie die Verjüngung des Gehäuses, durch die sich das Werkzeug wie ein Füllfederhalter oder Bleistift halten lässt. Der einzigartige Softgrip an der Spitze sorgt für zusätzlichen Bedienkomfort und bessere Kontrolle bei der Arbeit. *Halten Sie das Werkzeug stets von Ihrem Gesicht abgewandt und tragen Sie immer eine Schutzbrille. Teile von beschädigtem Zubehör könnten sich beim Erreichen hoher Drehzahlen unter Umständen lösen.*

Halten Sie das Werkzeug so, dass Sie die Lüftungsschlitze nicht mit der Hand abdecken. Durch Blockieren der Lüftungsschlitze könnte der Motor überhitzen.

WICHTIG! Üben Sie zunächst mit etwas Abfallmaterial, um ein Gefühl dafür zu bekommen, wie sich das Werkzeug bei hoher Drehzahl verhält. Denken Sie daran, dass Ihr Multitool die besten Ergebnisse liefert, wenn Sie die richtige Drehzahl sowie geeignete Zubehörteile und Vorsatzgeräte verwenden. Arbeiten Sie ohne Druck. Durch die hohe Rotationsgeschwindigkeit ist es ausreichend, das Multitool nur leicht über die Oberfläche des Werkstücks zu führen.

Normalerweise erzielen Sie bessere Ergebnisse, wenn Sie mit dem Werkzeug mehrmals über die Oberfläche fahren, als mit einem einzigen Arbeitsgang. Außerdem haben Sie bei drucklosem Arbeiten eine bessere Kontrolle und verringern das Fehlerrisiko.

Detailarbeiten können Sie am besten verrichten, wenn Sie das Multitool wie einen Stift zwischen Daumen und Zeigefinger halten.

ABBILDUNG 7

Die "Golfgriff"-Methode wird für schwerere Arbeiten wie Schleifen oder Schneiden/Trennen angewendet. **ABBILDUNG 8**

BETRIEBSGESCHWINDIGKEIT

Dieses Werkzeug arbeitet mit hoher Geschwindigkeit. Die Drehzahl variiert von 10.000 bis 33.000 U/Min. Mit der jeweils richtigen Drehzahleinstellung für Zubehör und Material erzielen Sie die besten Endergebnisse. Üben Sie zunächst an etwas Abfallmaterial, um die optimale Drehzahl zu ermitteln.

HINWEIS: Die Drehzahl wird durch Spannungsschwankungen beeinflusst. Eine geringere Eingangsspannung führt zu einer niedrigeren Drehzahl, insbesondere bei der niedrigsten Einstellung. Wenn Sie der Meinung sind, dass Ihr Werkzeug zu langsam läuft, erhöhen Sie die Geschwindigkeit entsprechend. Sollte die Eingangsspannung unter 220 Volt liegen, läuft das Werkzeug bei der niedrigsten Einstellung eventuell nicht an. Erhöhen Sie in diesem Fall die Drehzahl.

Der Drehzahlkontrollschalter des 300-Series-Multitool ist in zehn Stufen gerastert. Die den einzelnen Stufen entsprechende Drehzahl finden Sie im Diagramm auf den Seiten 4-6. So können Sie die jeweils optimale Drehzahl für Zubehör und Material ermitteln.

- A) Verwendung mit Gipskarton. Optimale Ergebnisse bei 33.000 U/Min.
- B) Für Fugenmörtel bei Wand- und Bodenfliesen. Verwenden Sie die Einstellung 6-8.
- *) Drehzahl für leichte Schnitte. Vorsicht, bei tiefen Fugen können Brandspuren auftreten und/oder der Fräser ausglühen.
- ☐) Je nach Schnittrichtung in Relation zur Maserung. Die meisten Aufgaben können mit der höchsten Drehzahleinstellung des Werkzeugs erledigt werden. Einige Materialien (bestimmte Kunststoffe und Metalle) können jedoch durch die bei hoher Drehzahl erzeugte Hitze beschädigt werden und sollten daher mit niedrigerer Drehzahl bearbeitet werden. Niedrige Drehzahlen (15.000 U/Min. oder weniger) eignen sich normalerweise am Besten zum Polieren mit Filz-Polierzubehör. Bei allen Anwendungen mit Bürsten sind niedrigere Drehzahlen erforderlich, um ein Lösen der Drähte und Borsten aus der Halterung zu vermeiden. Auch bei niedrigen Drehzahlen sollten Sie ohne Druck arbeiten. Höhere Drehzahlen eignen sich für Hartholz, Metall und Glas sowie zum Bohren, Schnitzen, Schneiden, Fräsen, Formen, Kehlen und Nuten in Holz. Die Schalterstellungen entsprechen in etwa folgenden Drehzahlen:

Schalterstellung	Drehzahlbereich
1-2	10.000-14.000 U/Min.
3-4	15.000-19.000 U/Min.
5-6	20.000-24.000 U/Min.
7-8	25.000-29.000 U/Min.
9-10	30.000-33.000 U/Min.

Einige die Drehzahl betreffende Hinweise:

- Kunststoffe und andere Werkstoffe mit niedrigem Schmelzpunkt sind mit niedrigen Drehzahlen zu bearbeiten.
- Das Polieren, Glanzschleifen und Reinigen mit einer Drahtbürste muss bei Drehzahlen von maximal 15.000 U/Min erfolgen, um einer Beschädigung der Bürste und des Materials vorzubeugen.
- Schneidarbeiten in Holz müssen mit hoher Drehzahl erfolgen.
- Schneidarbeiten in Eisen oder Stahl müssen mit hoher Drehzahl erfolgen.
- Wenn ein Hochgeschwindigkeits-Stahlfräser zu vibrieren beginnt, so ist das meist ein Hinweis darauf, dass er zu langsam läuft.
- Aluminium, Kupfer-, Blei-, Zinklegierungen und Zinn können je nach Art der Arbeit mit unterschiedlichen Drehzahlen bearbeitet werden. Fetten Sie das Schneidwerkzeug mit Paraffin oder einem anderen geeigneten Schmiermittel (nicht Wasser) ein, um zu verhindern, dass sich Späne an den Schneidkanten des Werkzeugs festsetzen.

HINWEIS: Ein höherer Druck auf das Werkzeug wird das Ergebnis nicht verbessern. Verwenden Sie ein anderes Zubehörteil oder eine andere Drehzahleinstellung, um das gewünschte Ergebnis zu erzielen.

Um Beschädigungen und/oder Risiken vorzubeugen, sollten Wartungs- und Reparaturarbeiten ausschließlich durch autorisierte Personen erfolgen. Wir empfehlen, Wartung und Reparatur von Dremel-Servicenederlassungen durchführen zu lassen. Auf jeden Fall ist aus Sicherheitsgründen vor Wartungs- und Reinigungsarbeiten immer der Netzstecker zu ziehen.

KOHLEBÜRSTEN

Die Bürsten in Ihrem Werkzeug wurden für hohe Standzeiten und lange Haltbarkeit entwickelt. Um die Lebensdauer weiter zu erhöhen, sollten Sie das Werkzeug vor Erstgebrauch ca. fünf Minuten im Leerlauf in Betrieb nehmen. Dadurch werden die Bürsten richtig eingeschliffen. Für eine anhaltend hohe Effizienz des Motors sollten Sie die Bürsten alle 40-50 Betriebsstunden überprüfen.

Bei Verwendung des Werkzeugs mit abgenutzten Bürsten wird der Motor auf Dauer beschädigt. Verwenden Sie nur Original Dremel Ersatzbürsten. Überprüfen Sie die Multitool-Bürsten alle 40-50 Betriebsstunden. Wenn das Multitool fehlerhaft arbeitet, Leistung verliert oder ungewöhnliche Geräusche von sich gibt, überprüfen Sie die Bürsten auf Abnutzung und tauschen Sie sie ggf. aus. Gehen Sie zur Prüfung bzw. zum Austausch der Bürsten wie folgt vor:

1. Ziehen Sie den Netzstecker und legen Sie das Werkzeug auf einer sauberen Arbeitsfläche ab. Verwenden Sie den Spannzangenschlüssel als Schraubendreher zum Abnehmen der Bürstenkappen. **ABBILDUNG 9**
2. Nehmen Sie die Bürsten aus dem Werkzeug, indem Sie an der Feder ziehen. Ist die Bürste weniger als 3 mm lang oder an der Kontaktstelle rau oder uneben, so muss sie ausgetauscht werden. Bürsten immer paarweise austauschen. **ABBILDUNG 10**
3. Bürsten müssen immer paarweise getauscht werden. Nehmen Sie die abgenutzte Bürste aus der Feder heraus und ersetzen sie durch eine neue.
4. Platzieren Sie die Kohlebürste und Feder wieder im Werkzeug. Die Bürste passt nur in einer einzigen Ausrichtung in das Werkzeug.
5. Bringen Sie die Bürstenkappe wieder an, indem Sie sie im Uhrzeigersinn einschrauben. Verwenden Sie hierzu den Spannzangenschlüssel, **ABER ZIEHEN SIE SIE NICHT ZU FEST AN!** Nach jedem Bürstenwechsel sollten Sie das Gerät fünf Minuten im Leerlauf in Betrieb nehmen, bevor Sie damit arbeiten. Dadurch können sich die Bürsten richtig einschleifen; Dies wirkt sich positiv auf die Lebensdauer der Bürsten sowie des gesamten Multitools aus.

REINIGEN DES WERKZEUGS

ZIEHEN SIE VOR DEM REINIGEN STETS DEN NETZSTECKER

Lüftungsschlitze und Schalter müssen stets sauber gehalten werden. Führen Sie jedoch keine Gegenstände in Öffnungen ein. Dies kann Beschädigungen des Werkzeugs verursachen. *Das Werkzeug kann mit Druckluft gereinigt werden. Tragen Sie beim Reinigen von Werkzeugen mit Druckluft stets eine Schutzbrille.*

Das Dremel Multitool braucht nicht geschmiert zu werden. *Verwenden Sie keine Reiniger, die beispielsweise Benzin, Kohlenstoff-Tetrachlorid, Chlor oder Ammoniak enthalten. Dies kann zu Beschädigungen an Kunststoffteilen führen.* Wir empfehlen die Reinigung mit einem feuchten Tuch und milden Reinigungsmitteln. Nachhaltig verschmutzte Bereiche müssen eventuell mehrmals abgewischt werden.

SERVICE UND GEWÄHRLEISTUNG

Die Garantie für dieses DREMEL Produkt entspricht den länderspezifischen Vorschriften. Schäden durch normale Abnutzung und Verschleiß sowie Überlastung oder unsachgemäße Behandlung sind von der Garantie ausgeschlossen.

Im Fall einer Reklamation schicken Sie das Werkzeug *komplett* mit einem entsprechenden Kaufnachweis an Ihren Händler.

DREMEL KONTAKTINFORMATIONEN

Weitere Informationen über Dremel finden Sie unter www.dremel.com

Dremel Europe, P.O. Box 3267, NL-4800 DG Breda, Die Niederlande

TRADUCTION DE LA NOTICE ORIGINALE



ATTENTION LISEZ TOUTES LES CONSIGNES.

Le non-respect des consignes ci-après peut entraîner un choc électrique, un incendie et/ou des blessures corporelles graves. Le terme "outil électroportatif" mentionné dans tous les avertissements ci-après fait référence à votre outil électroportatif raccordé au secteur.

CONSERVEZ CES CONSIGNES

1. ZONE DE TRAVAIL

- Faites en sorte que la zone de travail soit propre et bien éclairée. *Un espace encombré et sombre est propice aux accidents.*
- Ne faites pas fonctionner des outils électroportatifs dans les atmosphères explosives, notamment en présence de liquides, gaz ou poussières inflammables. *Les outils électroportatifs produisent des étincelles susceptibles d'enflammer les poussières ou fumées.*
- Tenez les enfants et spectateurs à distance pendant le fonctionnement d'un outil électroportatif. *Toute distraction peut entraîner une perte de contrôle de l'outil.*


2. SECURITE ELECTRIQUE

- La fiche de l'outil électroportatif doit être appropriée à la prise de courant. Ne modifiez en aucune circonstance la fiche. N'employez pas d'adaptateur avec les outils

électroportatifs mis à la terre. L'utilisation de fiches non modifiées et de prises appropriées réduira le risque de choc électrique.

- Evitez tout contact corporel avec des éléments reliés à la terre, tels que tuyauterie, radiateurs, cuisinières, réfrigérateurs. *La mise à la terre du corps accroît le risque de choc électrique.*
- Conservez les outils électroportatifs à l'abri de la pluie et de l'humidité. *La pénétration d'eau dans un outil électroportatif accroît le risque de choc électrique.*
- N'exercez aucune action dommageable sur le cordon d'alimentation. N'utilisez jamais le cordon d'alimentation pour transporter l'outil électroportatif, tirer sur celui-ci ou le débrancher. Eloignez le cordon d'alimentation de la chaleur, des huiles, des arêtes vives ou des pièces en mouvement. *Les cordons endommagés ou emmêlés accroissent le risque de choc électrique.*
- Lors de l'utilisation d'un outil électroportatif à l'extérieur, employez une rallonge appropriée. *L'utilisation d'un cordon conçu pour l'extérieur réduit le risque de choc électrique.*

3. SECURITE PERSONNELLE

- Restez vigilant, soyez attentif à ce que vous faites et faites preuve de bon sens lorsque vous utilisez un outil électroportatif. Ne vous servez pas de ce type d'outil lorsque vous êtes fatigué ou sous l'emprise d'une drogue quelconque, de l'alcool ou d'un médicament. *Un instant d'inattention risque, dans ce cas, d'entraîner des blessures corporelles graves.*
-  Utilisez des équipements de protection. Portez toujours un équipement de protection oculaire. *Les équipements de protection tels que masque anti-poussière, chaussures de sécurité antidérapantes, casque ou protection auditive employés dans les cas appropriés réduiront les blessures corporelles.*
- Evitez tout démarrage accidentel. Assurez-vous que l'interrupteur est en position Arrêt avant de brancher la fiche. *Le fait de transporter les outils électroportatifs en ayant le doigt sur l'interrupteur ou de brancher des outils avec l'interrupteur sur la position Marche constitue une situation propice aux accidents.*
- Retirez toute clé de réglage avant de mettre l'outil sous tension. *Une clé laissée au contact d'un élément en rotation de l'outil électroportatif peut entraîner des blessures corporelles.*
- Ne travaillez pas dans une position instable. *Conservez à tout moment un bon appui et un bon équilibre du corps. Vous serez ainsi plus en mesure de garder le contrôle de l'outil électroportatif dans les situations imprévues.*
- Ayez une tenue appropriée. *Ne portez pas de vêtements amples ni de bijoux. N'approchez jamais les cheveux, vêtements et gants de pièces en mouvement. Des vêtements amples, bijoux ou cheveux longs peuvent être happés par des pièces en mouvement.*
- En présence de dispositifs pour l'aspiration et la collecte des poussières, vérifiez que ceux-ci sont branchés et correctement employés. *L'utilisation de ces appareils peut réduire les risques liés à la poussière.*

FR

4. PRECAUTIONS D'UTILISATION DE L'OUTIL ELECTROPORTATIF

- a. Ne forcez pas sur l'outil électroportatif. Employez l'outil correspondant à votre application. *L'outil électroportatif approprié accomplira sa tâche plus efficacement et plus sûrement s'il est utilisé à la vitesse pour laquelle il a été conçu.*
- b. N'utilisez pas l'outil électroportatif si l'interrupteur ne fonctionne pas correctement. *Un outil dont l'interrupteur est défectueux est dangereux et doit être réparé.*
- c. Débranchez l'outil de la prise électrique murale avant d'effectuer un réglage, de changer d'accessoire ou de ranger l'outil. *Ces précautions réduisent le risque d'un démarrage accidentel de l'outil.*
- d. Les outils électroportatifs doivent être rangés hors de portée des enfants et ne pas être utilisés par des personnes ne connaissant pas leur fonctionnement ou les présentes instructions. *Entre les mains d'utilisateurs inexpérimentés, les outils électroportatifs sont dangereux.*
- e. Entretenez les outils électroportatifs. Vérifiez la présence d'un défaut d'alignement ou de grippage des pièces mobiles, de pièces cassées ou de toute autre condition pouvant altérer le fonctionnement des outils électroportatifs. Faites réparer un outil électroportatif endommagé avant de l'utiliser. *Nombre d'accidents sont provoqués par des outils électroportatifs mal entretenus.*
- f. Les outils de coupe doivent être affûtés et propres. *S'ils sont bien entretenus, les outils avec des arêtes de coupe affûtées sont moins susceptibles d'accrocher et sont plus faciles à contrôler.*
- g. Utilisez l'outil électroportatif, ses accessoires et embouts, etc. conformément aux présentes instructions et de la manière prévue, en particulier en tenant compte des conditions de travail et de la nature du travail à réaliser. *L'utilisation de l'outil électroportatif pour d'autres applications que celles prévues présente un risque.*
- b. N'utilisez pas d'accessoires non spécialement conçus et recommandés par le fabricant de l'outil. *Le fait de pouvoir monter des accessoires sur votre outil électroportatif ne garantit pas une utilisation en toute sécurité.*
- c. La vitesse de rotation nominale de l'accessoire doit être au moins égale à la vitesse de rotation maximale indiquée sur l'outil électroportatif. *Les accessoires utilisés à une vitesse supérieure à leur vitesse de rotation nominale risquent de se détacher.*
- d. Le diamètre extérieur et la largeur de votre accessoire doivent correspondre aux cotes de votre outil électroportatif. *Des accessoires aux dimensions inadaptées ne peuvent pas être protégés ou contrôlés correctement.*
- e. Les meules, brides, plateaux de ponçage ou tout autre accessoire doivent correspondre exactement à la broche de l'outil électroportatif. *Les accessoires dont le perçage ne correspond pas exactement à la broche de l'outil électroportatif tournent de manière irrégulière, présentent des vibrations excessives et peuvent entraîner une perte de contrôle.*
- f. N'utilisez pas d'accessoires endommagés. Avant chaque utilisation, contrôlez les accessoires tels que les meules pour détecter des éclats et fissures, le plateau de ponçage pour identifier des fissures, une usure moyenne ou excessive, les brosses métalliques pour détecter des fils lâches ou cassés. En cas de chute de l'outil électroportatif ou de l'accessoire, contrôlez la présence de dommages ou remplacez l'accessoire. Après le contrôle et le remplacement de l'accessoire, vous et d'éventuelles personnes présentes devez vous placer à distance de la zone de l'accessoire en rotation et laisser tourner l'outil électroportatif à sa vitesse à vide maximale pendant une minute. *En règle générale, les accessoires endommagés cassent pendant ce temps d'essai.*
- g. Portez des équipements de protection personnels. Selon l'application, portez un masque intégral, des lunettes, un masque anti-poussière, des protections auditives, des gants et un tablier spécial qui vous protège des petits fragments d'abrasif ou de pièce à travailler. *La protection oculaire doit être capable d'arrêter les projections de débris provoquées par les différentes opérations. Le masque anti-poussière ou le masque respiratoire doit filtrer les particules générées lors de l'utilisation. Une exposition prolongée à un bruit de forte intensité peut entraîner une perte d'audition.*

5. REPARATION

- a. Confiez la réparation de votre outil électroportatif à un réparateur qualifié qui utilise exclusivement des pièces de rechange identiques. *Vous garantirez ainsi la fiabilité de l'outil électroportatif.*
- h. Gardez une distance de sécurité suffisante entre votre zone de travail et les personnes à proximité. Toute personne pénétrant dans la zone de travail doit porter un équipement de protection individuel. *Des fragments de la pièce à travailler ou un accessoire cassé peuvent être projetés et provoquer des blessures en dehors de la zone directe de travail.*
- i. Tenez l'outil par les parties isolées prévues à cet effet lorsque vous effectuez une opération, où l'accessoire de coupe risque d'entrer en contact avec un câble caché ou le câble d'alimentation de l'outil lui-même. *Le contact de l'accessoire de coupe avec un fil sous tension mettra également sous tension les parties métalliques de l'outil et soumettra l'utilisateur à un choc électrique.*
- j. Positionnez le cordon d'alimentation à distance de l'accessoire en rotation. *Si vous perdez le contrôle de*

CONSIGNES DE SECURITE POUR TOUTES LES OPERATIONS

AVERTISSEMENTS DE SECURITE COMMUNS POUR LE MEULAGE, LE PONÇAGE, LE BROSSAGE METALLIQUE, LE POLISSAGE ET LA DECOUPE A L'ABRASIF

- a. Cet outil électroportatif est conçu pour une utilisation en tant que meuleuse, ponceuse, brosse métallique, polisseuse ou outil de découpe. Lisez tous les avertissements, instructions, illustrations et spécifications fournis avec cet outil électroportatif. *Le non-respect des consignes ci-après peut entraîner un choc électrique, un incendie et/ou des blessures corporelles graves.*

l'appareil, le cordon peut être sectionné ou accroché et votre main ou votre bras risquent d'être happés par l'accessoire en rotation.

- k. Reposez l'outil électrostatique seulement après l'arrêt complet de l'accessoire. *L'accessoire en rotation peut accrocher une surface et vous faire perdre le contrôle de l'outil.*
- l. Veuillez ne pas démarrer l'outil électroportatif lorsque vous le transportez le long du corps. *En cas de contact accidentel, l'accessoire en rotation peut happer vos vêtements et vous blesser grièvement.*
- m. Nettoyez régulièrement les orifices de ventilation de l'outil électroportatif. *Le ventilateur du moteur risque d'aspirer la poussière dans le carter et une accumulation excessive de particules métalliques peut être source de risque électrique.*
- n. N'utilisez pas l'outil électroportatif à proximité de matériaux inflammables. *Des étincelles risquent d'enflammer ces matériaux.*
- o. N'utilisez pas d'accessoires nécessitant un liquide de refroidissement. *L'utilisation d'eau ou d'autres liquides de refroidissement peut entraîner un choc électrique.*
- p. **Ne pas travailler de matériaux contenant de l'amiante** (l'amiante est considérée comme étant cancérigène).
- q. **Prenez des mesures de sécurité, lorsque des poussières nuisibles à la santé, inflammables ou explosives peuvent être générées lors du travail** (certaines poussières sont considérées comme étant cancérigènes); portez un masque anti-poussières et utilisez un dispositif d'aspiration de poussières/de copeaux s'il est possible de raccorder un tel dispositif.

CONTRECoup ET AVERTISSEMENTS ASSOCIÉS

Un contrecoup est une réaction soudaine provoquée par une meule, un plateau de ponçage, une brosse ou tout autre accessoire en rotation qui se bloque ou se coince. Un blocage entraîne l'arrêt rapide de l'accessoire en rotation et la projection de l'outil électroportatif dans la direction opposée à la rotation de l'accessoire au point de blocage. Par exemple, si une meule se coince ou se bloque dans la pièce à travailler, le bord de la meule pénétrant au point de blocage peut entamer la surface du matériau et la meule peut ressortir ou être éjectée. En fonction du sens de rotation de la meule au point de blocage, celle-ci peut être projetée vers l'utilisateur ou à l'opposé de celui-ci. Dans ces conditions, les meules peuvent également casser. Le contrecoup résulte d'une utilisation incorrecte de l'outil électroportatif et/ou de mauvaises conditions ou procédures d'utilisation. Ce phénomène peut être évité en prenant les précautions suivantes.

- a. Maintenez fermement l'outil et campez votre corps et vos bras de manière à résister aux forces de contrecoup. Utilisez systématiquement la poignée supplémentaire, s'il y en a une, pour contrôler au maximum les forces de contrecoup ou le couple de réaction au démarrage. *Les forces de contrecoup ou le couple de réaction peuvent être amortis par l'utilisateur si les précautions correctes sont observées.*
- b. Ne placez jamais votre main à proximité de l'accessoire en rotation. *Lors d'un contrecoup, l'accessoire risque de rebondir sur celle-ci.*
- c. Ne restez pas dans la zone de contrecoup possible de l'outil électroportatif. *Le contrecoup entraînera l'outil dans la*

direction opposée au mouvement de la meule au point de blocage.

- d. Soyez extrêmement vigilant lors du travail des coins, arêtes coupantes, etc. Evitez que l'accessoire rebondisse contre la pièce à travailler et qu'il se coince. *L'accessoire en rotation a tendance à accrocher au niveau des coins, des arêtes coupantes ou lorsqu'il rebondit, avec une possibilité de perte de contrôle ou de contrecoup.*
- e. N'utilisez pas de lames de scie à chaîne ou dentées. *Ce type de lame provoque fréquemment des contrecoups et une perte de contrôle.*

CONSIGNES DE SECURITE SPECIFIQUES AU PONCAGE ET A LA DECOUPE A L'ABRASIF

- a. N'utilisez que des meules recommandées pour votre outil électroportatif et le capot de protection conçu pour la meule sélectionnée. *Les meules non conçues pour l'outil électroportatif ne peuvent pas être suffisamment protégées et présentent alors un danger.*
- b. Employez les meules exclusivement pour les applications recommandées. Par exemple: ne meulez pas avec la surface latérale d'un disque à tronçonner. *Les meules à tronçonner sont conçues pour enlever de la matière avec le bord et les forces latérales appliquées à ces meules peuvent provoquer leur destruction.*
- c. Utilisez systématiquement des brides de serrage en parfait état, dont la taille et la forme sont appropriées à la meule sélectionnée. *Les brides appropriées servent de support à la meule et réduisent ainsi le risque de rupture de celle-ci. Les brides pour les disques à tronçonner peuvent différer de celles pour d'autres meules.*
- d. N'utilisez pas de meules usées d'outils électroportatifs de plus grande taille. *Les meules prévues pour un outil électroportatif plus grand ne sont pas conçues pour les vitesses de rotation accrues des outils électroportatifs plus petits et risquent de casser.*

CONSIGNES DE SECURITE SUPPLEMENTAIRES POUR LA DECOUPE A L'ABRASIF

- a. Evitez de coincer le disque à tronçonner ou d'appliquer une pression excessive. N'essayez pas de réaliser des coupes trop profondes. *Une surcharge du disque en augmente la sollicitation et donc les risques de torsion ou de blocage, ce qui entraînerait un contrecoup ou la destruction de la meule.*
- b. Ne vous placez pas dans l'axe de la meule en rotation ni derrière celle-ci. *Si la meule au contact de la zone travaillée s'éloigne de vous, un contrecoup risque de ramener le disque et l'outil électroportatif directement sur vous.*
- c. Lorsque le disque se bloque ou que vous interrompez une passe pour une raison ou une autre, éteignez puis immobilisez l'outil jusqu'à ce que le disque s'arrête complètement. N'essayez en aucun cas de sortir le disque à tronçonner en rotation du matériau, sinon il existe un risque de contrecoup. *Recherchez la cause du blocage et prenez les mesures nécessaires pour y remédier.*
- d. Ne redémarrez pas l'opération de découpe dans la pièce à travailler. Attendez que la meule ait atteint sa vitesse de rotation maximale et introduisez-la précautionneusement

dans le matériau. *En cas de redémarrage de l'outil électroportatif dans la pièce à travailler, le disque risque de se coincer, de ressortir ou de provoquer un contrecoup.*

- e. Utilisez des supports pour les panneaux ou toute pièce de grandes dimensions, afin de réduire le risque de blocage de la meule et de contrecoup. *Les pièces de grandes dimensions ont tendance à s'arquer sous leur propre poids. Les supports doivent être placés sous la pièce à travailler, près de la ligne de coupe et près du bord de la pièce, des deux côtés de la meule.*
- f. Redoublez de prudence lorsque vous effectuez une "coupe traversante" dans des murs existants ou autres parois aveugles. *Le disque à tronçonner peut sectionner des canalisations de gaz ou d'eau, des câbles électriques ou des objets pouvant causer un contrecoup.*

CONSIGNES DE SECURITE SPECIFIQUES POUR LE PONÇAGE

- a. Lors du ponçage, n'utilisez pas un disque abrasif surdimensionné. Respectez les indications du fabricant concernant la feuille abrasive. *Les feuilles abrasives trop grandes par rapport au plateau de ponçage présentent un risque de lacération et peuvent provoquer le blocage ou la déchirure du disque abrasif, ou un contrecoup.*

CONSIGNES DE SECURITE SPECIFIQUES POUR LE POLISSAGE

- a. Evitez qu'une partie mal fixée du disque de polissage ou que des cordes de fixation ne tourment librement. Rangez ou raccourcissez les cordes de fixation. *Des cordes de fixation lâches ou en rotation peuvent happer vos doigts ou se coincer sur la pièce à travailler.*

CONSIGNES DE SECURITE SPECIFIQUES POUR LE BROSSAGE METALLIQUE

- a. Ayez à l'esprit que la brosse perd des fils métalliques même pendant le travail normal. Evitez une sollicitation trop élevée des fils métalliques en appliquant une pression excessive sur la brosse. *Les fils métalliques arrachés peuvent pénétrer facilement dans des vêtements légers et/ou la peau.*
- b. Si un capot de protection est recommandé pour le brossage métallique, évitez tout contact entre ce capot et la brosse métallique. *Les brosses métalliques circulaires ou autres peuvent augmenter de diamètre en raison de la pression et des forces centrifuges.*

ENVIRONNEMENT

MISE AU REBUT

Les outils électroportatifs, ainsi que leurs accessoires et emballages doivent être triés en vue de leur recyclage approprié.

SEULEMENT POUR LES PAYS DE L'UNION EUROPEENNE



Ne jetez pas votre appareil électroportatif avec les ordures ménagères!

Conformément à la directive européenne 2002/96/CE relative à la mise au rebut des équipements électriques et électroniques, et à sa transposition dans le droit national, les outils électroportatifs inutilisables doivent faire l'objet d'une collecte distincte et être mis au rebut d'une manière respectueuse pour l'environnement.

SPECIFICATIONS

SPECIFICATIONS GENERALES

Tension nominale	230-240 V, 50-60 Hz
Intensité nominale	0,5 A
Vitesse à vide	n_0 33 000 tr/min
Pince	0,8 mm, 1,6 mm, 2,4 mm, 3,2 mm

RALLONGES

Utilisez des rallonges entièrement déroulées et fiables d'une intensité de 5 A.

SPECIFICATIONS DU MOTEUR

Cet outil multifonctions est équipé d'un moteur à vitesse élevée variable. Il est conçu pour fonctionner avec une alimentation 230-240 volts, 50-60 Hz. Vérifiez systématiquement que la tension d'alimentation correspond à la tension indiquée sur la plaque signalétique de l'outil (les outils prévus pour une tension de 230 V ou 240 V peuvent aussi fonctionner sur du 220 V).

MONTAGE

DEBRANCHEZ SYSTEMATIQUEMENT L'OUTIL MULTIFONCTIONS AVANT DE CHANGER D'ACCESSOIRE OU DE PINCE, OU POUR REPARER L'OUTIL.

GENERALITES

L'outil multifonctions Dremel est un outil de précision de très grande qualité, capable d'accomplir des tâches minutieuses et complexes. La palette étendue d'accessoires et de fixations Dremel permet d'effectuer une grande diversité de travaux, notamment le ponçage, la sculpture et la gravure, ainsi que le défonçage, la découpe, le nettoyage et le polissage. ILLUSTRATION 2

ILLUSTRATION 1

- A. Ecrou de blocage
- B. Pince
- C. Capuchon
- D. Accouplement de fixation
- E. Bouton de verrouillage de l'arbre
- F. Interrupteur de marche/arrêt et cadran de vitesse variable

- G. Capuchon de balais (un de chaque côté)
- H. Orifices de ventilation
- I. Support
- J. Clé de pince
- K. Cordon d'alimentation

PINCES PORTE-EMBOUT

Les accessoires Dremel disponibles pour l'outil multifonctions sont fournis avec différentes tailles de queues. Quatre tailles de pince sont disponibles pour les différentes queues. Ces tailles sont identifiées par les bagues au dos de la pince.

ILLUSTRATION 3

- L. Pince 3,2 mm sans bague (480)
- M. Pince 2,4 mm avec trois bagues (481)
- N. Pince 1,6 mm avec deux bagues (482)
- O. Pince 0,8 mm avec une bague (483)

NOTA: Certains kits d'outil multifonctions peuvent ne pas inclure les quatre tailles de pince. Les pinces sont disponibles séparément.

Utilisez systématiquement la pince correspondant au diamètre de queue de l'accessoire que vous projetez d'employer. N'engagez pas de queue de grand diamètre dans une pince de diamètre plus petit.

CHANGEMENT DE PINCE

ILLUSTRATION 4

- P. Bouton de verrouillage de l'arbre
- Q. Clé de pince
- R. Sens de serrage
- S. Sens de desserrage
- T. Ecrou de blocage

1. Appuyez sur le bouton de blocage d'arbre, maintenez et tournez l'arbre à la main jusqu'à ce qu'il s'enclenche. N'actionnez pas le bouton de blocage tant que l'outil multifonctions n'est pas complètement arrêté.
2. Lorsque le bouton de blocage d'arbre est enfoncé, desserrez et déposez l'écrou de blocage. Utilisez la clé de pince si nécessaire.
3. Déposez la pince en la dégageant de l'arbre.
4. Engagez à fond la nouvelle pince appropriée dans l'arbre, puis repositionnez et resserrez à la main l'écrou de blocage. Ne serrez pas complètement l'écrou en l'absence d'embout ou d'accessoire.

CHANGEMENT D'ACCESSOIRE

ILLUSTRATIONS 5/6

- U. Bouton de verrouillage de l'arbre
1. Appuyez sur le bouton de blocage d'arbre, maintenez et tournez l'arbre à la main jusqu'à ce qu'il s'enclenche. *N'actionnez pas le bouton de blocage tant que l'outil multifonctions n'est pas complètement arrêté.*
 2. Lorsque le bouton de blocage d'arbre est enfoncé, desserrez l'écrou de blocage (sans le déposer). Utilisez la clé de pince si nécessaire.

3. Engagez à fond l'embout ou la queue d'accessoire dans la pince.
4. Le bouton de blocage d'arbre étant toujours enfoncé, serrez à la main l'écrou de blocage jusqu'à ce que l'embout ou la queue de l'accessoire soit bien serré dans la pince.

NOTA: Lisez impérativement les instructions d'utilisation fournies avec votre accessoire Dremel.

Utilisez uniquement des accessoires testés par Dremel.

COMMENT DEMARRER

UTILISATION

La première étape consiste à faire connaissance avec l'outil. Prenez-le, soupesez-le et cherchez son équilibre dans votre main. Sentez sous vos doigts la partie conique du corps. Celle-ci permet de tenir l'outil comme un crayon. La poignée souple exclusive sur la partie conique est synonyme de confort et de contrôle accru pendant l'utilisation.

Ne tournez jamais l'outil vers votre visage, orientez-le vers l'extérieur. Des accessoires qui ont pu être endommagés lors de la manipulation peuvent être violemment projetés sous l'effet de la vitesse.

Lorsque vous tenez l'outil, évitez d'obstruer les orifices de ventilation avec vos mains. Cette obstruction peut provoquer une surchauffe du moteur.

IMPORTANT ! Exercez-vous d'abord sur des matériaux de récupération pour apprécier le fonctionnement de l'outil à vitesse élevée. Ayez à l'esprit que votre outil multifonctions sera le plus performant à sa vitesse de travail, avec l'accessoire et la fixation Dremel appropriés. Si possible, évitez toute pression sur l'outil pendant son utilisation. Au contraire, appliquez légèrement l'accessoire en rotation à l'endroit voulu sur la surface à travailler. Concentrez-vous sur le guidage de l'outil sur la pièce en n'appliquant qu'une très légère pression de la main. Laissez l'accessoire faire le travail.

En règle générale, plusieurs passes avec l'outil sont préférables à une seule pour accomplir le travail. Un contact léger permet un contrôle optimal et évite les risques d'erreur.

Pour maîtriser l'outil multifonctions dans les travaux de précision, tenez-le comme un crayon, entre le pouce et l'index. **ILLUSTRATION 7**

La méthode de maintien de type "golf" est appliquée pour les opérations plus difficiles telles que le ponçage ou la découpe.

ILLUSTRATION 8

VITESSES DE FONCTIONNEMENT

Cet outil multifonctions fonctionne à une vitesse élevée. Celle-ci varie dans une plage comprise entre 10.000 et 33.000 tr/min. L'ajustement de la vitesse de rotation à votre projet donnera un meilleur résultat final. Pour une qualité optimum lorsque vous travaillez sur différents matériaux, réglez le variateur de vitesse en conséquence. Pour sélectionner la vitesse appropriée à l'accessoire employé, exercez-vous d'abord sur des matériaux de récupération.

NOTA: Les variations de tension influent sur la vitesse. Une tension réduite en entrée diminuera la vitesse de rotation de l'outil, en particulier lors d'un réglage sur la vitesse la plus faible.

Si la vitesse de l'outil semble insuffisante, augmentez-la en conséquence. Lorsque l'interrupteur est placé sur le réglage le plus faible, l'outil risque de ne pas fonctionner pour une tension d'alimentation inférieure à 220 volts. Il suffit alors de régler l'interrupteur sur une vitesse plus élevée pour utiliser l'outil.

Les réglages de vitesse de l'outil multifonctions de la série 300 sont indiqués sur le variateur. Reportez-vous au tableau des réglages de vitesses aux pages 4 à 6, afin de déterminer la vitesse appropriée en fonction du matériau employé et de l'accessoire.

- A) A utiliser sur parois en placoplâtre. On obtient les meilleurs résultats à 33.000 tr/m.
- B) A utiliser sur les joints de mortier sur les murs et les sols. Employez le réglage 6-8.
- *) Vitesse pour les coupes peu profondes. Attention, risque de brûlage sur les rainures profondes.

□) Selon la direction de coupe par rapport au grain.

La majorité des tâches peuvent être accomplies en utilisant l'outil à sa vitesse maximale. Néanmoins, certains matériaux (plastiques et métaux spécifiques) peuvent être endommagés par la chaleur résultant du fonctionnement à vitesse élevée et doivent donc être travaillés à des vitesses relativement faibles. Le fonctionnement à faible vitesse (inférieure ou égale à 15.000 tr/min) convient en général aux travaux de polissage avec les accessoires de polissage en feutre. Toutes les applications de broissage nécessitent des vitesses réduites afin d'éviter l'arrachement de fils métalliques. A faible vitesse, laissez l'outil performant faire le travail pour vous. Les vitesses plus élevées conviennent mieux pour travailler les bois durs, les métaux et le verre, ainsi que pour percer, sculpter, découper, défoncer, profiler et réaliser des feuillures ou des embrèvements dans le bois. Les positions d'interrupteur correspondent approximativement aux vitesses de rotation suivantes:

Position interrupteur	Plage de vitesses
1-2	10.000-14.000 tr/min
3-4	15.000-19.000 tr/min
5-6	20.000-24.000 tr/min
7-8	25.000-29.000 tr/min
9-10	30.000-33.000 tr/min

Quelques conseils concernant la vitesse d'utilisation de l'outil:

- Le plastique et les autres matériaux qui fondent à basse température doivent être coupés à des vitesses réduites.
- Le polissage, le lustrage et le nettoyage à la brosse métallique doivent être effectués à des vitesses inférieures à 15.000 tr/min, afin de ne pas endommager la brosse et le matériau.
- Le bois doit être coupé à vitesse élevée.
- Le fer ou l'acier doivent être coupés à vitesse élevée.
- Si une fraise en acier haute vitesse commence à vibrer, c'est généralement que sa vitesse de rotation est trop faible.
- L'aluminium, ainsi que les alliages de cuivre, de plomb, de zinc et d'étain peuvent être coupés à diverses vitesses selon le type de découpe effectuée. Appliquez de la paraffine (pas d'eau) ou un lubrifiant approprié sur la fraise afin d'éviter l'adhérence de déchets de coupe sur les tranchants de la fraise.

NOTA: Une pression accrue sur l'outil ne constitue pas la solution pour de meilleures performances. Essayez un autre accessoire ou une autre vitesse pour obtenir le résultat souhaité.

ENTRETIEN

Toute opération d'entretien préventif effectuée par du personnel non autorisé peut entraîner le positionnement incorrect de composants internes et présenter des risques graves. Nous recommandons de confier les opérations d'entretien de l'outil à un Centre Technique Dremel. Pour éviter les blessures résultant d'un démarrage accidentel ou d'un choc électrique, débranchez systématiquement l'outil de la prise murale avant les opérations de réparation ou de nettoyage.

BALAIS DE CHARBON

Les balais employés sur votre outil sont conçus pour de longues heures de bon fonctionnement. Afin de préparer les balais en vue de l'utilisation de l'outil, faites fonctionner ce dernier à vide, à sa vitesse maximale pendant 5 minutes. Les balais seront ainsi positionnés correctement et vous prolongerez la durée de vie de l'outil. Pour préserver des performances optimales du moteur, examinez l'usure des balais toutes les 40 à 50 heures.

L'utilisation de l'outil avec des balais usés peut entraîner une détérioration irréversible du moteur. Employez exclusivement des balais de rechange Dremel d'origine. Examinez les balais de l'outil multifonctions au bout de 40 à 50 heures d'utilisation. En cas de fonctionnement irrégulier, de baisse de puissance ou de bruit inhabituel de l'outil multifonctions, contrôlez le degré d'usure des balais et, le cas échéant, remplacez-les. Respectez la procédure suivante pour l'examen/le remplacement des balais:

1. Après avoir débranché le cordon d'alimentation, placez l'outil sur une surface propre. Servez-vous de la clé de l'outil en tant que tournevis pour déposer les capuchons des balais. ILLUSTRATION 9
2. Déposez les balais en tirant sur leur ressort. Si la longueur du balai est inférieure à 3 mm et si sa surface au contact du commutateur est rugueuse ou piquée, les balais de charbon doivent être remplacés. Prenez soin de vérifier les deux balais. ILLUSTRATION 10
3. Si un balai est usé, remplacez les deux afin de garantir de meilleures performances de votre outil multifonctions. Déposez le ressort du balai, mettez le balai usé au rebut et remplacez le ressort sur un nouveau balai.
4. Repositionnez le balai et le ressort dans l'outil, en sachant qu'il existe un seul sens de repose.
5. Remettez en place les capuchons sur l'outil en tournant dans le sens des aiguilles d'une montre. Pour serrer, utilisez la clé. Attention de NE PAS SERRER EXCESSIVEMENT! Après le remplacement des balais, faites fonctionner l'outil à vide; pour cela, placez-le sur une surface propre et faites-le fonctionner à pleine vitesse pendant 5 minutes avant de l'utiliser. Les balais seront ainsi positionnés correctement et vous prolongerez leur durée de vie. Vous allongerez également la durée de vie de votre outil car la surface du commutateur s'usera moins.

NETTOYAGE DE L'OUTIL

DEBRANCHEZ LA FICHE D'ALIMENTATION AVANT TOUT NETTOYAGE

Les orifices de ventilation et les curseurs des interrupteurs doivent être tenus propres et exempts de corps étrangers. Ne tentez pas de nettoyer l'outil en insérant des objets pointus à travers les orifices de ventilation.

L'outil peut être nettoyé à l'air comprimé. Dans ce cas, portez systématiquement des lunettes de protection.

L'outil multifonctions de Dremel ne requiert aucune lubrification. Certains détergents et solvants endommageront les pièces en plastique. C'est notamment le cas de l'essence, du tétrachlorure de carbone, des solvants chlorés, de l'ammoniaque et des détergents domestiques qui contiennent de l'ammoniaque.

Nettoyez les zones de "poignée souple" de l'outil au moyen d'un chiffon humide. Il peut être nécessaire de renouveler plusieurs fois l'opération pour le nettoyage des surfaces rigides encrassées.

REPARATION ET GARANTIE

Ce produit DREMEL fait l'objet d'une garantie conforme aux réglementations légales en vigueur dans votre pays; les dommages résultant de l'usure normale, d'une surcharge ou d'une utilisation inappropriée sont exclus de la garantie.

En cas de réclamation, envoyez l'outil *non démonté* avec le justificatif d'achat à votre revendeur.

CONTACTER DREMEL

Pour plus d'informations sur la gamme de produits, le support technique et l'assistance téléphonique de la société Dremel, visitez le site www.dremel.com

Dremel Europe, P.O. Box 3267, 4800 DG Breda, Pays-Bas

TRADUZIONE DELLE ISTRUZIONI ORIGINALI



ATTENZIONE E' ASSOLUTAMENTE NECESSARIO LEGGERE

ATTENTAMENTE TUTTE LE ISTRUZIONI. *Eventuali errori nell'adempimento delle istruzioni qui di seguito riportate potranno causare scosse elettriche, incendi e/o lesioni gravi. Il termine qui di seguito utilizzato "elettroutensile" si riferisce ad utensili elettrici alimentati dalla rete (con linea di allacciamento).*

CONSERVARE QUESTE ISTRUZIONI

1. STAZIONE DI LAVORO


a. Tenere la zona di operazione sempre pulita ed ordinata. *Il disordine e le zone di lavoro non illuminate possono essere fonte di incidenti.*

- b. Evitare d'impiegare l'elettroutensile in ambienti soggetti al rischio di esplosioni e nei quali si trovino liquidi, gas o polveri infiammabili. *Gli elettroutensili producono scintille che possono far infiammare la polvere o i gas.*
- c. Tenere lontani i bambini ed altre persone durante l'impiego dell'elettroutensile. *Eventuali distrazioni potranno comportare la perdita del controllo sull'elettroutensile.*

2. SICUREZZA ELETTRICA

- a. La spina per la presa di corrente dovrà essere adatta alla presa. Evitare assolutamente di apportare modifiche alla spina. Non impiegare spine adattatrici assieme ad elettroutensili con collegamento a terra. *Le spine non modificate e le prese adatte allo scopo riducono il rischio di scosse elettriche.*
- b. Evitare il contatto fisico con superfici collegate a terra, come tubi, riscaldamenti, cucine elettriche e frigoriferi. *Sussiste un maggior rischio di scosse elettriche nel momento in cui il corpo è messo a massa.*
- c. Custodire l'elettroutensile al riparo dalla pioggia o dall'umidità. *L'eventuale infiltrazione di acqua in un elettroutensile va ad aumentare il rischio d'insorgenza di scosse elettriche.*
- d. Non usare il cavo per scopi diversi da quelli previsti e quindi non usarlo per trasportare o appendere l'elettroutensile oppure per togliere la spina dalla presa di corrente. Non avvicinare il cavo a fonti di calore, olio, spigoli taglienti e neppure a parti della macchina che siano in movimento. *I cavi danneggiati o aggrovigliati aumentano il rischio d'insorgenza di scosse elettriche.*
- e. Qualora si voglia usare l'elettroutensile all'aperto, impiegare solo ed esclusivamente cavi di prolunga omologati per l'impiego all'esterno. *L'uso di un cavo di prolunga omologato per l'impiego all'esterno riduce il rischio d'insorgenza di scosse elettriche.*

3. SICUREZZA DI PERSONE

- a. È importante concentrarsi su ciò che si sta facendo e maneggiare con giudizio l'elettroutensile durante le operazioni di lavoro. Non utilizzare l'utensile in caso di stanchezza o sotto l'effetto di droghe, bevande alcoliche e medicinali. *Un attimo di distrazione durante l'uso dell'elettroutensile potrà causare lesioni gravi.*
- b.  Indossare sempre equipaggiamento protettivo individuale, nonché quanti protettivi. Indossare sempre gli occhiali di protezione. *Indossando abbigliamento di protezione personale come la maschera per polveri, scarpe di sicurezza che non scivolino, elmetto di protezione oppure protezione acustica a seconda del tipo e dell'applicazione dell'elettroutensile, si riduce il rischio di incidenti.*
- c. Evitare l'accensione involontaria dell'utensile. Prima d'inserire la spina nella presa di corrente, assicurarsi che l'elettroutensile sia spento. *Il fatto di tenere il dito sopra all'interruttore o di collegare l'elettroutensile acceso all'alimentazione di corrente potrà essere causa di incidenti.*
- d. Togliere gli attrezzi di regolazione o la chiave inglese prima di accendere l'utensile. *Un utensile oppure una chiave che si*

IT

trovi in una parte rotante della macchina può provocare seri incidenti.

- e. Mai sopravvalutare le proprie possibilità di reazione. *Avere cura di mettersi in posizione sicura e di mantenere l'equilibrio. In tale maniera sarà possibile controllare meglio l'elettrotensile in situazioni inaspettate.*
- f. Indossare vestiti adeguati. *Non indossare vestiti larghi, né portare bracciali e catenine. Tenere i capelli, i vestiti ed i guanti lontani da pezzi in movimento. Vestiti lenti, gioielli o capelli lunghi potranno impigliarsi in pezzi in movimento.*
- g. In caso fosse previsto il montaggio di dispositivi di aspirazione della polvere e di raccolta, assicurarsi che gli stessi siano collegati e che vengano utilizzati correttamente. *L'utilizzo di tali dispositivi contribuisce a ridurre lo svilupparsi di situazioni pericolose provocate dalla presenza di polvere.*

4. TRATTAMENTO ACCURATO E USO CORRETTO DEGLI ELETTROTENSILI

- a. Non sottoporre la macchina a sovraccarico. Per il proprio lavoro, utilizzare esclusivamente l'elettrotensile esplicitamente previsto per il caso. *Con un elettrotensile adatto si lavora in modo migliore e più sicuro nell'ambito della sua potenza di prestazione.*
- b. Non utilizzare mai elettrotensili con interruttori difettosi. *Un elettrotensile con l'interruttore rotto è pericoloso e deve essere aggiustato.*
- c. Togliere la spina dalla presa di corrente prima di iniziare a regolare l'elettrotensile, di sostituire pezzi di ricambio o di mettere da parte l'elettrotensile. *Tale precauzione eviterà che l'elettrotensile possa essere messo in funzione involontariamente.*
- d. Quando gli elettrotensili non vengono utilizzati, conservarli al di fuori del raggio di accesso di bambini. Non fare usare l'elettrotensile a persone che non siano abituate ad usarlo o che non abbiano letto le presenti istruzioni. *Gli elettrotensili sono macchine pericolose quando vengono utilizzati da persone non dotate di sufficiente esperienza.*
- e. Effettuare accuratamente la manutenzione dell'elettrotensile. Verificare che le parti mobili dell'elettrotensile funzionino perfettamente e non s'inceppino, che non ci siano pezzi rotti o danneggiati al punto tale da limitare la funzione dell'elettrotensile stesso. Prima di iniziare l'impiego, far riparare le parti danneggiate. *Numerosi incidenti vengono causati da elettrotensili la cui manutenzione è stata effettuata poco accuratamente.*
- f. Mantenere gli utensili da taglio sempre affilati e puliti. *Gli utensili da taglio curati con particolare attenzione e con taglienti affilati s'inceppano meno frequentemente e sono più facili da condurre.*
- g. Utilizzare utensili elettrici, accessori, attrezzi, ecc. in conformità con le presenti istruzioni e secondo quanto previsto per questo tipo specifico di elettrotensile. Così facendo, tenere sempre presente le condizioni di lavoro e le operazioni da eseguire. *L'impiego di elettrotensili per usi diversi da quelli consentiti potrà dar luogo a situazioni di pericolo.*

5. ASSISTENZA

- a. Fare riparare l'elettrotensile solo ed esclusivamente da personale specializzato e solo impiegando pezzi di ricambio originali. *In tale maniera potrà essere salvaguardata la sicurezza dell'elettrotensile.*

ISTRUZIONI GENERALI DI SICUREZZA

ISTRUZIONI DI SICUREZZA GENERALI PER LAVORI DI LEVIGATURA, LEVIGATURA CON CARTA VETRATA, LAVORI CON SPAZZOLE METALLICHE, LUCIDATURA E TRONCATURA

- a. Questo elettrotensile è previsto per essere utilizzato come levigatrice, levigatrice per carta a vetro, spazzola metallica, lucidatrice e troncatrice. Inoltre è necessario attenersi alle istruzioni generali di sicurezza contenute nel manuale fornito a corredo o che si trova inserito nel presente libretto delle istruzioni per l'uso. *Eventuali errori nell'adempimento delle istruzioni qui di seguito riportate potranno causare scosse elettriche, incendi e/o incidenti gravi.*
- b. Non utilizzare nessun accessorio che la casa costruttrice non abbia esplicitamente previsto e raccomandato per questo elettrotensile. *Il semplice fatto che un accessorio possa essere fissato al Vostro elettrotensile non è una garanzia per un impiego sicuro.*
- c. Il numero di giri ammesso dell'accessorio impiegato deve essere almeno tanto alto quanto il numero massimo di giri riportato sull'elettrotensile. *Un accessorio che giri più rapidamente di quanto consentito può essere danneggiato.*
- d. Il diametro esterno e lo spessore dell'accessorio montato devono corrispondere ai dati delle dimensioni dell'elettrotensile in dotazione. *In caso di utilizzo di portautensili e di accessori di dimensioni sbagliate non sarà possibile schermarli oppure controllarli a sufficienza.*
- e. Dischi abrasivi, flange, platorelli oppure altri portautensili ed accessori devono adattarsi perfettamente al mandrino portamolà dell'elettrotensile in dotazione. *Portautensili ed accessori che non si adattano perfettamente al mandrino portamolà dell'elettrotensile non ruotano in modo uniforme, vibrano molto forte e possono provocare la perdita del controllo.*
- f. Non utilizzare mai portautensili od accessori danneggiati. Prima di ogni utilizzo controllare i portautensili e gli accessori ed accertarsi che sui dischi abrasivi non vi siano scheggiature o crepature, che il platorello non sia soggetto ad incrinature, crepature o forte usura e che le spazzole metalliche non abbiano fili metallici allentati oppure rotti. Se l'elettrotensile oppure l'accessorio impiegato dovesse sfuggire dalla mano e cadere, accertarsi che questo non abbia subito nessun danno oppure utilizzare un accessorio intatto. Una volta controllato e montato il portautensile o accessorio, far funzionare l'elettrotensile per la durata di un minuto con il numero massimo di giri avendo cura di tenersi lontani e di impedire anche ad altre persone presenti di avvicinarsi al portautensile o accessorio in rotazione. *Nella maggior parte dei casi i portautensili o accessori danneggiati si rompono nel corso di questo periodo di prova.*

- g. Indossare abbigliamento di protezione. A seconda dell'applicazione in corso utilizzare una visiera completa, maschera di protezione per gli occhi oppure occhiali di sicurezza. Per quanto necessario, portare maschere per polveri, protezione acustica, guanti di protezione oppure un grembiule speciale in grado di proteggervi da piccole particelle di levigatura o di materiale. *Gli occhi dovrebbero essere protetti da corpi estranei scaraventati per l'aria nel corso di diverse applicazioni. La maschera antipolvere e la maschera respiratoria devono essere in grado di filtrare la polvere provocata durante l'applicazione. Esponendosi per lungo tempo ad un rumore troppo forte vi è il pericolo di perdere l'udito.*
- h. Avere cura di evitare che altre persone possano avvicinarsi alla zona in cui si sta lavorando. Ogni persona che entra nella zona di operazione deve indossare un abbigliamento protettivo personale. *Frammenti del pezzo in lavorazione oppure utensili rotti possono volar via oppure provocare incidenti anche al di fuori della zona diretta di lavoro.*
- i. Quando si eseguono lavori in cui vi è pericolo che l'accessorio impiegato possa arrivare a toccare cavi elettrici nascosti oppure anche il cavo elettrico dell'elettrotensile stesso, operare con l'elettrotensile afferrandolo sempre alle superfici di impugnatura isolate. *Un contatto con un cavo elettrico mette sotto tensione anche parti in metallo dell'elettrotensile provocando quindi una scossa elettrica.*
- j. Tenere il cavo di collegamento elettrico sempre lontano da portautensili o accessori in rotazione. *Se si perde il controllo sull'elettrotensile vi è il pericolo di troncarsi o di colpire il cavo di collegamento elettrico e la Vostra mano o braccio può arrivare a toccare il portautensili o accessorio in rotazione.*
- k. Mai poggiare l'elettrotensile prima che il portautensili o l'accessorio impiegato non si sia fermato completamente. *L'utensile in rotazione può entrare in contatto con la superficie di appoggio facendovi perdere il controllo sulla macchina pneumatica.*
- l. Mai trasportare l'elettrotensile mentre questo dovesse essere ancora in funzione. *Attraverso un contatto casuale l'utensile in rotazione potrebbe fare presa sugli indumenti oppure sui capelli dell'operatore e potrebbe arrivare a ferire seriamente il corpo dell'operatore.*
- m. Pulire regolarmente le feritoie di ventilazione dell'elettrotensile in dotazione. *Il ventilatore del motore attira polvere nella carcassa ed una forte raccolta di polvere di metallo può provocare pericoli di origine elettrica.*
- n. Non utilizzare mai l'elettrotensile nelle vicinanze di materiali infiammabili. *Le scintille possono far prendere fuoco questi materiali.*
- o. Non utilizzare mai accessori che richiedano refrigeranti liquidi. *L'utilizzo di acqua o di altri liquidi refrigeranti può provocare una scossa di corrente elettrica.*
- p. **Non lavorare mai materiali contenenti amianto** (l'amianto è ritenuto materiale cancerogeno).
- q. **Prendere dei provvedimenti appropriati in caso che durante il lavoro dovessero svilupparsi polveri dannose per la salute, infiammabili oppure esplosive** (alcune polveri sono considerate cancerogene); portare una maschera di protezione contro la polvere ed utilizzare, se possibile, un sistema di aspirazione polvere/aspirazione trucioli.

CONTRACCOLPO E RELATIVE AVVERTENZE DI PERICOLO

Un contraccolpo è l'improvvisa reazione in seguito ad agganciamento oppure blocco di accessorio in rotazione come può essere un disco abrasivo, platrello, spazzola metallica ecc. Agganciandosi oppure bloccandosi il portautensili o accessorio provoca un arresto improvviso della rotazione dello stesso. In questo caso l'operatore non è più in grado di controllare l'elettrotensile ed al punto di blocco si provoca un rimbalzo dello stesso che avviene nella direzione opposta a quella della rotazione del portautensili o dell'accessorio. Se p. es. un disco abrasivo resta agganciato o bloccato nel pezzo in lavorazione, il bordo del disco abrasivo che si abbassa nel pezzo in lavorazione può rimanere impigliato provocando in questo modo una rottura oppure un contraccolpo del disco abrasivo. Il disco abrasivo si avvicina o si allontana dall'operatore a seconda della direzione di rotazione che ha nel momento in cui si blocca. In tali situazioni è possibile che le mole abrasive possano anche rompersi. Un contraccolpo è la conseguenza di un utilizzo non appropriato oppure non corretto dell'elettrotensile. Esso può essere evitato soltanto prendendo misure adatte di sicurezza come dalla descrizione che segue.

- a. Tenere sempre ben saldo l'elettrotensile e portare il proprio corpo e le proprie braccia in una posizione che Vi permetta di compensare le forze di contraccolpo. Se disponibile, utilizzare sempre l'impugnatura supplementare in modo da poter avere sempre il maggior controllo possibile su forze di contraccolpi oppure momenti di reazione che si sviluppano durante la fase in cui la macchina raggiunge il regime di pieno carico. *Prendendo appropriate misure di precauzione l'operatore può essere in grado di tenere sotto controllo le forze di contraccolpo e quelle di reazione a scatti.*
- b. Mai avvicinare la propria mano alla zona degli utensili in rotazione. *Nel corso dell'azione di contraccolpo il portautensili o accessorio potrebbe passare sulla Vostra mano.*
- c. Evitare di avvicinarsi con il proprio corpo alla zona in cui l'elettrotensile viene mosso in caso di un contraccolpo. *Un contraccolpo provoca uno spostamento improvviso dell'elettrotensile che si sviluppa nella direzione opposta a quella della rotazione della mola abrasiva al punto di blocco.*
- d. Operare con particolare attenzione in prossimità di spigoli, spigoli taglienti ecc. Avere cura di impedire che portautensili o accessori possano rimbalzare dal pezzo in lavorazione oppure possano rimanervi bloccati. *L'utensile in rotazione ha la tendenza a rimanere bloccato in angoli, spigoli taglienti oppure in caso di rimbalzo. Ciò provoca una perdita del controllo oppure un contraccolpo.*
- e. Non utilizzare seghe a catena e neppure lame dentellate. *Questo tipo di accessori provocano spesso un contraccolpo oppure la perdita del controllo sull'elettrotensile.*

PARTICOLARI AVVERTENZE DI PERICOLO PER OPERAZIONI DI LEVIGATURA E DI TRONCATURA

- a. Utilizzare sempre la calotta di protezione prevista per il tipo di utensile abrasivo utilizzato. *Utensili abrasivi che non sono previsti per l'elettrotensile non possono essere sufficientemente schermati e sono insicuri.*

- b. Utensili abrasivi possono essere utilizzati esclusivamente per le possibilità applicative esplicitamente raccomandate. P. es.: mai eseguire lavori di levigatura con la superficie laterale di un disco abrasivo da taglio diritto. *Mole abrasive da taglio diritto sono previste per l'asportazione di materiale con il bordo del disco. Esercitando dei carichi laterali su questi utensili abrasivi vi è il pericolo di romperli.*
- c. Per la mola abrasiva selezionata, utilizzare sempre flange di serraggio che siano in perfetto stato e che siano della corretta dimensione e forma. *Flange adatte hanno una funzione di corretto supporto della mola abrasiva riducendo il più possibile il pericolo di una rottura della mola abrasiva. È possibile che vi sia una differenza tra flange per mole abrasive da taglio diritto e flange per mole abrasive di altro tipo.*
- d. Non utilizzare mai mole abrasive usurate previste per elettroutensili più grandi. *Mole abrasive previste per elettroutensili più grandi non sono concepite per le maggiori velocità di elettroutensili più piccoli e possono rompersi.*

ULTERIORI AVVERTENZE DI PERICOLO SPECIFICHE PER LAVORI DI TRONCATURA

- a. Evitare di far bloccare il disco abrasivo da taglio diritto oppure di esercitare una pressione troppo alta. Non eseguire tagli eccessivamente profondi. *Sottoponendo la mola da taglio diritto a carico eccessivo se ne aumenta la sollecitazione e la si rende maggiormente soggetta ad angolature improprie o a blocchi venendo così a creare il pericolo di contraccolpo oppure di rottura dell'utensile abrasivo.*
- b. Evitare di avvicinarsi alla zona anteriore o posteriore al disco abrasivo da taglio in rotazione. *Quando l'operatore manovra la mola da taglio diritto nel pezzo in lavorazione in direzione opposta a quella della propria persona, può capitare che in caso di un contraccolpo il disco in rotazione faccia rimbalzare con violenza l'elettroutensile verso l'operatore.*
- c. Qualora il disco abrasivo da taglio diritto dovesse incepparsi oppure si dovesse interrompere il lavoro, spegnere l'elettroutensile e tenerlo fermo fino a quando il disco si sarà fermato completamente. Non tentare mai di estrarre il disco abrasivo dal taglio in esecuzione perché si potrebbe provocare un contraccolpo. *Rilevare ed eliminare la causa per il blocco.*
- d. Mai rimettere l'elettroutensile in funzione fintanto che esso si trovi ancora nel pezzo in lavorazione. Prima di continuare ad eseguire il taglio procedendo con la dovuta attenzione, attendere che il disco abrasivo da taglio diritto abbia raggiunto la massima velocità. *In caso contrario è possibile che il disco resti agganciato, sbalzi dal pezzo in lavorazione oppure provochi un contraccolpo.*
- e. Dotare di un supporto adatto pannelli oppure pezzi in lavorazione di dimensioni maggiori in modo da ridurre il rischio di un contraccolpo dovuto ad un disco abrasivo da taglio diritto che rimane bloccato. *Pezzi in lavorazione di dimensioni maggiori possono piegarsi sotto l'effetto del proprio peso. Provvedere a munire il pezzo in lavorazione di supporti adatti al caso specifico sia nelle vicinanze del taglio di troncatura che in quelle del bordo.*
- f. Operare con particolare attenzione in caso di "tagli dal centro" da eseguire in pareti già esistenti oppure in altre parti non

visibili. *Il disco abrasivo da taglio diritto che inizia il taglio sul materiale può provocare un contraccolpo se dovesse arrivare a trancare condutture del gas o dell'acqua, linee elettriche oppure oggetti di altro tipo.*

AVVERTENZE DI PERICOLO SPECIFICHE PER LAVORI DI LEVIGATURA CON CARTA VETRO

- a. Non utilizzare mai fogli abrasivi troppo grandi ma attenersi alle indicazioni del rispettivo produttore relative alle dimensioni dei fogli abrasivi. *Fogli abrasivi che dovessero sporgere oltre il platello possono provocare incidenti oppure blocchi, strappi dei fogli abrasivi oppure contraccolpi.*

AVVERTENZE DI PERICOLO SPECIFICHE PER OPERAZIONI DI LUCIDATURA

- a. Evitare assolutamente che parti della cappa lucidatura restino staccate e prestare in modo particolare attenzione alle cordicelle di fissaggio. Raccogliere per bene oppure tagliare le cordicelle di fissaggio ad una lunghezza adatta. *Cordicelle di fissaggio che girino con la cappa possono far presa sulle dita dell'operatore oppure rimanere impigliate nel pezzo in lavorazione.*

AVVERTENZE DI PERICOLO SPECIFICHE PER LAVORI CON SPAZZOLE METALLICHE

- a. Tenere presente che la spazzola metallica perde pezzi di fili di ferro anche durante il comune impiego. Non sottoporre i fili metallici a carico troppo elevato esercitando una pressione troppo alta. *Pezzi di fili di ferro scaraventati per l'aria possono penetrare molto facilmente attraverso indumenti sottili e/o la pelle.*
- b. Impiegando una calotta di protezione si impedisce che la calotta di protezione e la spazzola metallica possano toccarsi. *I diametri delle spazzole a disco e delle spazzole a tazza possono essere aumentati attraverso forze di pressione e tramite l'azione di forze centrifugali.*

AMBIENTE

SMALTIMENTO

Avviare ad un riciclaggio rispettoso dell'ambiente gli imballaggi, gli elettroutensili e gli accessori dismessi.

SOLO PER I PAESI DELLA CE



Non gettare elettroutensili dismessi tra i rifiuti domestici! Conformemente alla norma della direttiva CE 2002/96 sui rifiuti di apparecchiature elettriche ed elettroniche (RAEE) ed all'attuazione del recepimento nel diritto nazionale, gli elettroutensili diventati inservibili devono essere raccolti separatamente ed essere inviati ad una riutilizzazione ecologica.

DATI TECNICI

DATI TECNICI GENERALI

Tensione di funzionamento . . .	230-240 V, 50-60 Hz
Intensità di funzionamento . . .	0,5 A
Velocità a vuoto	n_0 33.000 giri/min
Dimensioni pinze	0,8 mm, 1,6 mm, 2,4 mm, 3,2 mm

CAVI DI PROLUNGA

Utilizzare esclusivamente cavi di prolunga completamente svolti con portata minima di 5 amp.

DATI TECNICI MOTORE

Questo multiutensile utilizza un motore a velocità variabile. Si collega a una tensione di funzionamento pari a 230-240 V, 50-60 Hz. Verificare sempre che la tensione di alimentazione corrisponda alla tensione indicata sulla targhetta utensile (utensili operativi a 230V o 240V possono anche essere collegati ad alimentazioni di 220V).

MONTAGGIO

SCOLLEGARE SEMPRE IL MULTIUTENSILE PRIMA DI SOSTITUIRE GLI ACCESSORI, I MANDRINI O DI PROCEDERE A OPERAZIONI DI MANUTENZIONE.

GENERALE

Il multiutensile Dremel è uno strumento di precisione di alta qualità, adatto per lavori dettagliati e complessi. La vasta gamma di accessori e complementi Dremel permette di svolgere i più svariati lavori. Tra questi, levigatura, intaglio, incisione e fresatura, taglio, pulitura e lucidatura. FIGURA 2

FIGURA 1

- A. Ghiera di serraggio
- B. Pinza
- C. Cappuccio
- D. Interfaccia di collegamento
- E. Pulsante di blocco albero
- F. Comandi di accensione/spengimento e regolazione della velocità
- G. Coperchio spazzola (su entrambi i lati)
- H. Aperture di aerazione
- I. Gancio
- J. Chiave di serraggio
- K. Cavo di alimentazione

PINZE

Gli accessori Dremel previsti per il multiutensile hanno gambi di diverse dimensioni. Sono disponibili quattro pinze di dimensioni diverse per le varie dimensioni dei gambi. Le dimensioni delle pinze sono identificate dagli anelli presenti alla base delle pinze stesse.

FIGURA 3

- L. Pinza da 3,2 mm senza anello (480)
- M. Pinza da 2,4 mm con tre anelli (481)
- N. Pinza da 1,6 mm con due anelli (482)
- O. Pinza da 0,8 mm con un anello (483)

N.B.: Alcuni kit multiutensile possono non includere le pinze nelle quattro dimensioni. Le pinze sono comunque disponibili separatamente.

Usare sempre la pinza che si adatta alle dimensioni del gambo e dell'accessorio che si intende usare. Non forzare un accessorio con gambo di diametro superiore della pinza.

SOSTITUZIONE PINZE

FIGURA 4

- P. Pulsante di blocco albero
- Q. Chiave di serraggio
- R. Serrare
- S. Allentare
- T. Ghiera di serraggio

1. Premere il pulsante di blocco dell'albero e, tenendolo premuto, ruotare l'albero a mano fino a che non si blocca. Non azionare il pulsante di blocco dell'albero mentre il multiutensile sta girando.
2. A pulsante di blocco dell'albero azionato, svitare e smontare la ghiera della pinza. Se necessario utilizzare la chiave di serraggio.
3. Estrarre la pinza dall'albero.
4. Inserire la pinza della dimensione desiderata nell'albero e serrare la ghiera di serraggio. Non serrare completamente la ghiera in assenza di punta o accessorio.

SOSTITUZIONE ACCESSORI

FIGURA 5/6

- U. Pulsante di blocco albero

1. Premere il pulsante di blocco dell'albero e ruotare l'albero a mano fino a che non si blocca. *Non azionare il pulsante di blocco dell'albero mentre il multiutensile sta girando.*
2. A pulsante di blocco dell'albero azionato, allentare (ma non rimuovere) la ghiera di serraggio. Se necessario utilizzare la chiave di serraggio.
3. Inserire il gambo della punta o dell'accessorio nella pinza.
4. A pulsante di blocco dell'albero azionato, serrare la ghiera di serraggio fino a che il gambo della punta/accessorio non è bloccato.

N.B.: Leggere le istruzioni fornite con gli accessori Dremel per ulteriori informazioni sull'utilizzo.

Utilizzare esclusivamente accessori Dremel testati e ad elevate prestazioni.

USO

Prima di utilizzare il multiutensile è necessario "conoscerlo". Impugnarlo e valutarne il peso e il bilanciamento. Si prenda confidenza con l'estremità affusolata dell'utensile. E' questa parte che permette di impugnarlo come una penna o una matita. L'impugnatura morbida garantisce comfort e controllo durante la lavorazione.

Tenere sempre l'utensile lontano dal volto. Gli accessori potrebbero essere stati danneggiati durante la spedizione e potrebbero volar via ruotando ad alta velocità.

Nel maneggiare l'utensile evitare di coprire con le mani le aperture di aerazione. Se si bloccano le aperture di aerazione, il motore potrebbe surriscaldarsi.

IMPORTANTE! Provare ad utilizzare l'utensile su materiale di scarto per testarlo alle alte velocità. Ricordare che le prestazioni del multiutensile sono migliori se si permette alla velocità, insieme agli accessori e ai complementi Dremel più adatti, di svolgere completamente il lavoro. Se possibile non fare pressione sull'utensile in fase di utilizzo. Al contrario, appoggiare con cautela l'accessorio in rotazione sulla superficie di lavoro portandolo in contatto con il punto in corrispondenza del quale si vuole iniziare. Concentrarsi sulla guida dell'utensile lungo il pezzo applicando una leggerissima pressione con la mano. Deve essere l'accessorio a eseguire il lavoro.

Solitamente si consiglia di eseguire una serie di passate con l'utensile piuttosto che una sola passata per completare il lavoro. Un tocco leggero garantisce un migliore controllo e riduce le possibilità di errore.

Per un migliore controllo in lavori di precisione, impugnare il multiutensile come una penna tra pollice e indice. FIGURA 7
La presa "a mazza da golf" viene solitamente utilizzata per lavori più pesanti, quali levigatura o taglio. FIGURA 8

VELOCITÀ SELEZIONABILI

Questo utensile è un multiutensile ad alta velocità. La velocità è compresa tra 10.000 e 33.000 giri/min. Regolare il numero di giri al minuto in base al progetto per ottenere risultati finali migliori. Per ottenere i risultati migliori lavorando con materiali diversi, regolare il comando di regolazione della velocità in modo ottimale in base al progetto. Per selezionare la giusta velocità in base all'accessorio in uso, fare pratica su materiali di scarto.

N.B.: La velocità dipende dalle variazioni di tensione. Una tensione di alimentazione ridotta rallenta il numero di giri al minuto dell'utensile, in particolare alle basse regolazioni. Se l'utensile sembra lavorare a bassa velocità, aumentare di conseguenza la velocità. L'utensile può non funzionare alle basse velocità in ambienti in cui la tensione di alimentazione è inferiore a 220 V. Impostare il comando di regolazione della velocità in modo adeguato per iniziare a lavorare.

Le regolazioni di velocità del multiutensile serie 300 sono indicate sul comando di regolazione della velocità. Vedere la tabella Impostazioni di velocità a pagina 4-6 per individuare la velocità più adatta in base al materiale di lavoro e all'accessorio utilizzato.

- A) Per utilizzo su muratura. Per risultati ottimali, impostare su 33.000 giri/min.
- B) Per piastrelle da parete e pavimento. Impostare su 6-8.

*) Velocità per tagli minimi. Attenzione, possibile bruciatura in caso di scanalature profonde.

□ In base alla direzione di taglio rispetto alla grana.

E' possibile svolgere molti lavori con l'utensile regolato alla massima velocità. Tuttavia, alcuni materiali (alcuni tipi di plastica e metallo) possono danneggiarsi per il calore generato dall'alta velocità e dovrebbero pertanto essere lavorati a basse velocità. Le basse velocità (15.000 giri/min o meno) sono generalmente adatte per interventi di lucidatura con accessori di lucidatura in feltro. In caso di utilizzo di spazzole, le velocità devono essere basse per evitare scariche dal manico. Lasciare che l'utensile lavori per voi alle basse velocità. Le velocità più alte sono ideali per legni duri, metalli e vetro, oltre che per interventi di foratura, intaglio, taglio, fresatura, formatura e taglio di dadi e battute in legno. Le regolazioni giri/minuto sono le seguenti:

Posizione interruttore	Campo di velocità
1-2	10.000-14.000 giri/min
3-4	15.000-19.000 giri/min
5-6	20.000-24.000 giri/min
7-8	25.000-29.000 giri/min
9-10	30.000-33.000 giri/min

Alcune indicazioni sulla velocità dell'utensile:

- La plastica e i materiali che fondono a basse temperature devono essere lavorati a bassa velocità.
- Lucidatura e pulitura con spazzola metallica devono essere eseguite a velocità inferiore a 15.000 giri/min per non danneggiare la spazzola e il materiale.
- Il legno deve essere lavorato a velocità elevata.
- Il ferro e l'acciaio devono essere lavorati a velocità elevata.
- Se un utensile da taglio in acciaio ad alta velocità inizia a vibrare, solitamente ciò significa che è stata selezionata una velocità troppo bassa.
- L'alluminio, il rame, le leghe di piombo, le leghe di zinco e lo stagno possono essere lavorati a velocità diverse, a seconda del tipo di lavorazione che si deve eseguire. Usare paraffina (non acqua) o altro lubrificante adatto sull'utensile di taglio per evitare che il materiale asportato aderisca al tagliente.

N.B.: Aumentare la pressione sull'utensile se non taglia come si vorrebbe, non risolve il problema. Provare ad utilizzare un accessorio o una regolazione della velocità diversi per ottenere i risultati desiderati.

MANUTENZIONE

La manutenzione preventiva eseguita da personale non autorizzato può causare l'errato posizionamento di componenti e dei cavi interni con possibili gravi rischi per le persone. Raccomandiamo che l'assistenza sugli utensili sia eseguita presso i centri di assistenza autorizzati Dremel. Per evitare incidenti dovuti ad avvio non previsto o scariche elettriche, scollegare sempre la spina dalla presa di corrente prima di qualsiasi intervento manutentivo o di pulitura.

SPAZZOLE AL CARBONIO

Le spazzole dell'utensile sono state progettate per durare a lungo. Per preparare le spazzole all'uso, azionare l'utensile a velocità massima per 5 minuti senza carico. Questo permetterà alle spazzole di "inserirsi" in modo corretto aumentando di conseguenza la vita dell'utensile. Per conservare il motore al massimo grado di efficienza, controllare le spazzole ogni 40-50 ore per verificarne il grado di usura.

L'utilizzo dell'utensile con spazzole usurate danneggia in modo permanente il motore. Utilizzare esclusivamente spazzole originali Dremel. Controllare le spazzole del multiutensile dopo 40-50 ore di utilizzo. Se il multiutensile funziona in modo discontinuo, perde potenza e produce rumori insoliti, controllare lo stato di usura delle spazzole ed eventualmente sostituirle. Seguire quanto indicato di seguito per controllare/sostituire le spazzole del multiutensile:

1. A cavo di alimentazione scollegato, posizionare l'utensile su una superficie pulita. Usare la chiave utensile come cacciavite per rimuovere i cappucci delle spazzole. FIGURA 9
2. Rimuovere le spazzole tirando la molla collegata alla spazzola in carbonio. Se la lunghezza della spazzola è inferiore a 3 mm e la superficie della spazzola a contatto con il commutatore è ruvida o vaiolata, sostituire le spazzole in carbonio. Controllare entrambe le spazzole. FIGURA 10
3. Se una spazzola è usurata, sostituire entrambe le spazzole per una migliore prestazione dell'utensile. Estrarre la molla dalla spazzola, eliminare la vecchia spazzola e inserire la molla su una nuova.
4. Reinserire la spazzola in carbonio e la molla nell'utensile: la spazzola si inserisce correttamente solo in una posizione.
5. Sostituire il cappuccio delle spazzole sull'utensile ruotandolo in senso orario. Per serrare utilizzare la chiave, ma non **SERRARE ECCESSIVAMENTE!** Dopo aver sostituito le spazzole, posizionare l'utensile su una superficie pulita e azionarlo a massima velocità per 5 minuti in assenza di carico o prima di utilizzarlo. In questo modo le spazzole si "inseriranno in sede" in modo adeguato aumentando la vita delle spazzole, ma anche dell'utensile in quanto la superficie del commutatore si usurerà in modo più omogeneo e su lunghi periodi.

COME PULIRE L'UTENSILE

SCOLLEGARE LA SPINA PRIMA DI PROCEDERE ALLA PULIZIA

Le aperture di aerazione e le leve degli interruttori devono essere tenute pulite e libere da corpi estranei. Non cercare di pulire inserendo oggetti appuntiti attraverso le aperture. *L'utensile può essere pulito a fondo usando aria compressa. Quando si puliscono gli utensili con aria compressa indossare sempre occhiali di sicurezza.* Non occorre lubrificare il multiutensile Dremel. *Alcuni prodotti e solventi per la pulizia danneggiano i componenti in plastica. Tra questi ci sono la benzina, il tetracloruro di carbonio, i solventi clorinati, l'ammoniaca e i detersivi per uso domestico a base di ammoniacale.*

Pulire l'area di "presa morbida" dell'utensile con un panno umido. Le aree più dure possono richiedere più di una passata per diventare pulite.

ASSISTENZA E GARANZIA

Questo prodotto DREMEL è garantito come da disposizioni normative/nazionali; eventuali danni dovuti a normale usura, sovraccarico o utilizzo improprio non sono coperti da garanzia.

CONTATTO DREMEL

Per ulteriori informazioni sulla gamma di prodotti Dremel, supporto e numero verde, visitare il sito www.dremel.com

Dremel Europe, P.O. Box 3267, 4800 DG Breda, Paesi Bassi

VERTALING VAN DE ORIGINELE GEBRUIKSAANWIJZING

NL



LET OP

LEES ALLE VOORSCHRIFTEN.

Wanneer de volgende voorschriften niet in acht worden genomen, kan dit een elektrische schok, brand of ernstig letsel tot gevolg hebben. Het hierna gebruikte begrip "elektrisch gereedschap" heeft betrekking op elektrische gereedschappen voor gebruik op het stroomnet (met netsnoer).

BEWAAR DEZE VOORSCHRIFTEN GOED

1. WERKOMGEVING

- a. Houd uw werkomgeving schoon en opgeruimd. *Een rommelige of onverlichte werkomgeving kan tot ongevallen leiden.*
- b. Werk met het gereedschap niet in een omgeving met explosiegevaar waarin zich brandbare vloeistoffen, brandbare gassen of brandbaar stof bevinden. *Elektrische gereedschappen veroorzaken vonken die het stof of de dampen tot ontsteking kunnen brengen.*
- c. Houd kinderen en andere personen tijdens het gebruik van het elektrische gereedschap uit de buurt. *Wanneer u wordt afgeleid, kunt u de controle over het gereedschap verliezen.*

2. ELEKTRISCHE VEILIGHEID

- a. De aansluitstekker van het gereedschap moet in het stopcontact passen. De stekker mag in geen geval worden veranderd. Gebruik geen adapterstekkers in combinatie met geaarde gereedschappen. *Onveranderde stekkers en passende stopcontacten beperken het risico van een elektrische schok.*
- b. Voorkom aanraking van het lichaam met geaarde oppervlakken, bijvoorbeeld van buizen, verwarmingen, fornuizen en koelkasten. *Er bestaat een verhoogd risico op een elektrische schok wanneer uw lichaam geaard is.*

- c. Houd het gereedschap uit de buurt van regen en vocht. *Het binnendringen van water in het elektrische gereedschap vergroot het risico van een elektrische schok.*
- d. Gebruik de kabel niet voor een verkeerd doel, om het gereedschap te dragen of op te hangen of om de stekker uit het stopcontact te trekken. Houd de kabel uit de buurt van hitte, olie, scherpe randen en bewegende gereedschapsdelen. *Beschadigde of in de war geraakte kabels vergroten het risico van een elektrische schok.*
- e. Wanneer u buitenshuis met elektrisch gereedschap werkt, dient u alleen verlengkabels te gebruiken die voor gebruik buitenshuis zijn goedgekeurd. *Het gebruik van een voor gebruik buitenshuis geschikte verlengkabel beperkt het risico van een elektrische schok.*

3. VEILIGHEID VAN PERSONEN

- a. Wees alert, let goed op wat u doet en ga met verstand te werk bij het gebruik van het elektrische gereedschap. Gebruik het gereedschap niet wanneer u moe bent of onder invloed staat van drugs, alcohol of medicijnen. *Een moment van onoplettendheid bij het gebruik van het gereedschap kan tot ernstige verwondingen leiden.*
- b.  Draag persoonlijke beschermende uitrusting en altijd een veiligheidsbril. *Het dragen van persoonlijke beschermende uitrusting zoals een stofmasker, slipvaste werkschoenen, een veiligheidshelm of gehoorbescherming, afhankelijk van de aard en het gebruik van het elektrische gereedschap, vermindert het risico van verwondingen.*
- c. Voorkom per ongeluk inschakelen. Controleer of het elektrische gereedschap uitgeschakeld is, voordat u de stekker in het stopcontact steekt. *Wanneer u bij het dragen van het gereedschap uw vinger aan de schakelaar hebt of wanneer u het gereedschap ingeschakeld op de stroomvoorziening aansluit, kan dit tot ongevallen leiden.*
- d. Verwijder instelgereedschappen of schroefslutels voordat u het gereedschap inschakelt. *Een instelgereedschap of sleutel in een draaiend deel van het gereedschap kan tot verwondingen leiden.*
- e. Overschat u zelf niet. *Zorg ervoor dat u stevig staat en steeds in evenwicht blijft. Daardoor kunt u het gereedschap in onverwachte situaties beter onder controle houden.*
- f. Draag geschikte kleding. *Draag geen loshangende kleding of sieraden. Houd haren, kleding en handschoenen uit de buurt van bewegende delen. Loshangende kleding, lange haren en sieraden kunnen door bewegende delen worden meegenomen.*
- g. Wanneer stofafzuigings- of stofopvangvoorzieningen kunnen worden gemonteerd, dient u zich ervan te verzekeren dat deze zijn aangesloten en juist worden gebruikt. *Het gebruik van deze voorzieningen beperkt het gevaar door stof.*

4. ZORGVULDIGE OMGANG MET EN ZORGVULDIG GEBRUIK VAN ELEKTRISCHE GEREEDSCHAPPEN

- a. Overbelast het gereedschap niet. Gebruik voor uw werkzaamheden het daarvoor bestemde elektrische gereedschap. *Met het passende elektrische gereedschap*

werkt u beter en veiliger binnen het aangegeven capaciteitsbereik.

- b. Gebruik geen elektrisch gereedschap waarvan de schakelaar defect is. *Elektrisch gereedschap dat niet meer kan worden in- of uitgeschakeld, is gevaarlijk en moet worden gerepareerd.*
- c. Trek de stekker uit het stopcontact voordat u het gereedschap instelt, toebehoren wisselt of het gereedschap weg legt. *Deze voorzorgsmaatregel voorkomt onbedoeld starten van het gereedschap.*
- d. Bewaar niet-gebruikte elektrische gereedschappen buiten bereik van kinderen. Laat het gereedschap niet gebruiken door personen die er niet mee vertrouwd zijn en deze aanwijzingen niet hebben gelezen. *Elektrische gereedschappen zijn gevaarlijk wanneer deze door onervaren personen worden gebruikt.*
- e. Verzorg het gereedschap zorgvuldig. Controleer of bewegende delen van het gereedschap correct functioneren en niet vastklemmen en of onderdelen zodanig gebroken of beschadigd zijn dat de werking van het gereedschap nadelig wordt beïnvloed. Laat deze beschadigde onderdelen voor het gebruik repareren. *Veel ongevallen hebben hun oorzaak in slecht onderhouden van elektrische gereedschappen.*
- f. Houd snijdende inzetgereedschappen scherp en schoon. *Zorgvuldig onderhouden snijdende inzetgereedschappen met scherpe snijkanten klemmen minder snel vast en zijn gemakkelijker te geleiden.*
- g. Gebruik elektrisch gereedschap, toebehoren, inzetgereedschappen en dergelijke volgens deze aanwijzingen en zoals voor dit speciale gereedschapstype voorgeschreven. Let daarbij op de arbeidsomstandigheden en de uit te voeren werkzaamheden. *Het gebruik van elektrische gereedschappen voor andere dan de voorziene toepassingen kan tot gevaarlijke situaties leiden.*

5. SERVICE

- a. Laat het gereedschap alleen repareren door gekwalificeerd en vakkundig personeel en alleen met originele vervangingsonderdelen. *Daarmee wordt gewaarborgd dat de veiligheid van het gereedschap in stand blijft.*

VEILIGHEIDSVOORSCHRIFTEN VOOR ALLE BEWERKINGEN

ALGEMENE WAARSCHUWINGEN VOOR SLIJPEN, SCHUREN, BORSTELN, POLIJSTEN EN DOORSLIJPEN

- a. Dit elektrische gereedschap is bestemd voor gebruik als slijpmachine, schuurmachine, borstelmaschine, polijstmachine en doorslijpmachine. Neem alle waarschuwingen, aanwijzingen, afbeeldingen en gegevens die u bij het elektrische gereedschap ontvangt, in acht. *Als u de volgende aanwijzingen niet in acht neemt, kunnen een elektrische schok, brand en/of ernstig letsel het gevolg zijn.*
- b. Gebruik uitsluitend toebehoren dat door de fabrikant speciaal voor dit elektrische gereedschap is voorzien en geadviseerd. *Het feit dat u het toebehoren aan het elektrische gereedschap kunt bevestigen, waarborgt nog geen veilig gebruik.*

- c. Het toegestane toerental van het inzetgereedschap moet minstens zo hoog zijn als het maximale toerental dat op het elektrische gereedschap is aangegeven. *Toebehoren dat sneller draait dan is toegestaan, kan onherstelbaar worden beschadigd.*
- d. De buitendiameter en de dikte van het inzetgereedschap moeten overeenkomen met de maatgegevens van het elektrische gereedschap. *Inzetgereedschappen met onjuiste afmetingen kunnen niet voldoende afgeschermd of gecontroleerd worden.*
- e. Slijpschijven, flenzen, steunschijven en ander toebehoren moeten nauwkeurig op de uitgaande as van het elektrische gereedschap passen. *Inzetgereedschappen die niet nauwkeurig op de uitgaande as van het elektrische gereedschap passen, draaien ongelijkmatig, trillen sterk en kunnen tot het verlies van de controle leiden.*
- f. Gebruik geen beschadigde inzetgereedschappen. Controleer voor het gebruik altijd inzetgereedschappen zoals slijpschijven op afsplinteringen en scheuren, steunschijven op scheuren of sterke slijtage en draadborstels op losse of gebroken draden. Als het elektrische gereedschap of het inzetgereedschap valt, dient u te controleren of het beschadigd is, of gebruik een onbeschadigd inzetgereedschap. Als u het inzetgereedschap hebt gecontroleerd en ingezet, laat u het elektrische gereedschap een minuut lang met het maximale toerental lopen. Daarbij dient u en dienen andere personen uit de buurt van het ronddraaiende inzetgereedschap te blijven. *Beschadigde inzetgereedschappen breken meestal gedurende deze testtijd.*
- g. Draag persoonlijke beschermende uitrusting. Gebruik afhankelijk van de toepassing een volledige gezichtsbescherming, oogbescherming of veiligheidsbril. Draag voor zover van toepassing een stofmasker, een gehoorbescherming, werkhandschoenen of een speciaal schort dat kleine slijp- en metaaldeeltjes tegenhoudt. *Uw ogen moeten worden beschermd tegen wegvliegende deeltjes die bij verschillende toepassingen ontstaan. Een stof- of adembeschermingsmasker moet het bij de toepassing ontstaande stof filteren. Als u lang wordt blootgesteld aan luid lawaai, kan uw gehoor worden beschadigd.*
- h. Let erop dat andere personen zich op een veilige afstand bevinden van de plaats waar u werkt. Iedereen die de werkomgeving betreedt, moet persoonlijke beschermende uitrusting dragen. *Brokstukken van het werkstuk of gebroken inzetgereedschappen kunnen wegvliegen en verwondingen veroorzaken, ook buiten de directe werkomgeving.*
- i. Houd het elektrische gereedschap alleen vast aan de geïsoleerde greepvlakken als u werkzaamheden uitvoert waarbij het inzetgereedschap verborgen stroomleidingen of de eigen netkabel kan raken. *Contact met een onder spanning staande leiding zet ook de metalen delen van het elektrische gereedschap onder spanning en leidt tot een elektrische schok.*
- j. Houd de stroomkabel uit de buurt van draaiende inzetgereedschappen. *Als u de controle over het elektrische gereedschap verliest, kan de stroomkabel worden doorgesneden of meegenomen en uw hand of arm kan in het ronddraaiende inzetgereedschap terecht komen.*
- k. Leg het elektrische gereedschap nooit neer voordat het inzetgereedschap volledig tot stilstand is gekomen. *Het draaiende inzetgereedschap kan in contact komen met het oppervlak, waardoor u de controle over het elektrische gereedschap kunt verliezen.*
- l. Laat het elektrische gereedschap niet lopen terwijl u het draagt. *Uw kleding kan door toevallig contact met het draaiende inzetgereedschap worden meegenomen en het inzetgereedschap kan zich in uw lichaam boren.*
- m. Reinig regelmatig de ventilatieopeningen van het elektrische gereedschap. *De motorventilator trekt stof in het huis en een sterke ophoping van metaalstof kan elektrische gevaren veroorzaken.*
- n. Gebruik het elektrische gereedschap niet in de buurt van brandbare materialen. *Vonken kunnen deze materialen ontsteken.*
- o. Gebruik geen inzetgereedschappen waarvoor vloeibare koelmiddelen vereist zijn. *Het gebruik van water of andere vloeibare koelmiddelen kan tot een elektrische schok leiden.*
- p. **Bewerk geen asbesthoudend materiaal** (asbest geldt als kankerverwekkend).
- q. **Tref veiligheidsmaatregelen, wanneer er bij werkzaamheden stoffen kunnen ontstaan, die schadelijk voor de gezondheid, brandbaar of explosief zijn** (sommige soorten stof gelden als kankerverwekkend); draag een stofmasker en gebruik een afzuiging voor stof en spanen, als deze kan worden aangesloten.

TERUGSLAG EN BIJBEHORENDE WAARSCHUWINGEN

Terugslag is de plotselinge reactie als gevolg van een vasthakend of geblokkeerd draaiend inzetgereedschap, zoals een slijpschijf, steunschijf, draadborstel, enz. Vasthaken of blokkeren leidt tot abrupte stilstand van het ronddraaiende inzetgereedschap. Daardoor wordt een ongecontroleerd elektrisch gereedschap tegen de draairichting van het inzetgereedschap versneld op de plaats van de blokkering. Als bijvoorbeeld een slijpschijf in het werkstuk vasthaakt of blokkeert, kan de rand van de slijpschijf die in het werkstuk invalt, zich vastgrijpen. Daardoor kan de slijpschijf uitbreken of een terugslag veroorzaken. De slijpschijf beweegt zich vervolgens naar de bediener toe of van de bediener weg, afhankelijk van de draairichting van de schijf op de plaats van de blokkering. Hierbij kunnen slijpschijven ook breken. Een terugslag is het gevolg van het verkeerd gebruik of onjuiste gebruiksomstandigheden van het elektrische gereedschap. Terugslag kan worden voorkomen door geschikte voorzorgsmaatregelen, zoals hieronder beschreven.

- a. Houd het elektrische gereedschap goed vast en breng uw lichaam en uw armen in een positie waarin u de terugslagkrachten kunt opvangen. Gebruik altijd de extra handgreep, indien aanwezig, om de grootst mogelijke controle te hebben over terugslagkrachten of reactiemomenten bij het op toeren komen. *De bediener kan door geschikte voorzorgsmaatregelen de terugslag- en reactiekrachten beheersen.*
- b. Breng uw hand nooit in de buurt van draaiende inzetgereedschappen. *Het inzetgereedschap kan bij de terugslag over uw hand bewegen.*

- c. Mijd met uw lichaam het gebied waarheen het elektrische gereedschap bij een terugslag wordt bewogen. *De terugslag drijft het elektrische gereedschap in de richting die tegengesteld is aan de beweging van de slijpschijf op de plaats van de blokkering.*
- d. Werk bijzonder voorzichtig in de buurt van hoeken, scherpe randen, enz. Voorkom dat inzetgereedschappen van het werkstuk terugspringen en vastklemmen. *Het ronddraaiende inzetgereedschap neigt er bij hoeken, scherpe randen of wanneer het terugspringt toe om zich vast te klemmen. Dit veroorzaakt een controleverlies of terugslag.*
- e. Gebruik geen kettingblad of getand zaagblad. *Zulke inzetgereedschappen veroorzaken vaak een terugslag of het verlies van de controle over het elektrische gereedschap.*
- d. Schakel het elektrische gereedschap niet opnieuw in zolang het zich in het werkstuk bevindt. Laat de doorslijpschijf eerst het volledige toerental bereiken voordat u het doorslijpen voorzichtig voortzet. *Anders kan de schijf vasthaken, uit het werkstuk springen of een terugslag veroorzaken.*
- e. Ondersteun platen of grote werkstukken om het risico van een terugslag door een ingeklemde doorslijpschijf te verminderen. *Grote werkstukken kunnen onder hun eigen gewicht doorbuigen. Het werkstuk moet aan beide zijden worden ondersteund, vlakbij de slijpgrøef en aan de rand.*
- f. Wees bijzonder voorzichtig bij invallend frezen in bestaande muren of andere plaatsen zonder voldoende zicht. *De invallende doorslijpschijf kan bij het doorslijpen van gas- of waterleidingen, elektrische leidingen of andere objecten een terugslag veroorzaken.*

BIJZONDERE WAARSCHUWINGEN VOOR SLIJP- EN DOORSLIJPWERKZAAMHEDEN

- a. Gebruik uitsluitend het voor het elektrische gereedschap toegestane slijptoebehoren en de voor dit slijptoebehoren voorziene beschermkap. *Slijptoebehoren dat niet voor het elektrische gereedschap is voorzien, kan niet voldoende worden afgeschermd en is niet veilig.*
- b. Slijptoebehoren mag alleen worden gebruikt voor de geadviseerde toepassingsmogelijkheden. Bijvoorbeeld: slijp nooit met het zijvlak van een doorslijpschijf. *Doorslijpschijven zijn bestemd voor materiaalafname met de rand van de schijf. Een zijwaartse krachtinwerking op dit slijptoebehoren kan het toebehoren breken.*
- c. Gebruik altijd onbeschadigde spanflenzen in de juiste maat en vorm voor de door u gekozen slijpschijf. *Geschikte flenzen steunen de slijpschijf en verminderen zo het gevaar van een slijpschijfbreuk. Flenzen voor doorslijpschijven kunnen verschillen van de flenzen voor andere slijpschijven.*
- d. Gebruik geen versleten slijpschijven van grotere elektrische gereedschappen. *Slijpschijven voor grotere elektrische gereedschappen zijn niet geconstrueerd voor de hogere toerentallen van kleinere elektrische gereedschappen en kunnen breken.*

OVERIGE BIJZONDERE WAARSCHUWINGEN VOOR DOORSLIJPWERKZAAMHEDEN

- a. Voorkom blokkeren van de doorslijpschijf en te hoge aandrukkracht. Slijp niet overmatig diep. *Een overbelasting van de doorslijpschijf vergroot de slijtage en de gevoeligheid voor kantelen of blokkeren en daardoor de mogelijkheid van een terugslag of breuk van het slijptoebehoren.*
- b. Mijd de omgeving voor en achter de ronddraaiende doorslijpschijf. *Als u de doorslijpschijf in het werkstuk van u weg beweegt, kan in het geval van een terugslag het elektrische gereedschap met de draaiende schijf rechtstreeks naar u toe worden geslingerd.*
- c. Als de doorslijpschijf vastklemt of als u de werkzaamheden onderbreekt, schakelt u het elektrische gereedschap uit en houdt u het rustig tot de schijf tot stilstand is gekomen. Probeer nooit om de nog draaiende doorslijpschijf uit de groef te trekken. Anders kan een terugslag het gevolg zijn. *Stel de oorzaak van het vastklemmen vast en maak deze ongedaan.*

BIJZONDERE WAARSCHUWINGEN VOOR SCHUURWERKZAAMHEDEN

- a. Gebruik geen schuurbladen met te grote afmetingen, maar houd u aan de voorschriften van de fabrikant voor de maten van schuurbladen. *Schuurbladen die over de rand van de steunschijf uitsteken, kunnen verwondingen veroorzaken en kunnen tot blokkeren, scheuren van de schuurbladen of terugslag leiden.*

BIJZONDERE WAARSCHUWINGEN VOOR POLIJSTWERKZAAMHEDEN

- a. De polijstkap mag geen losse delen hebben, in het bijzonder geen losse bevestigingsnoeren. Maak de bevestigingsnoeren vast of kort deze in. *Losse, meedraaiende bevestigingsnoeren kunnen uw vingers meenemen of in het werkstuk vasthaken.*

BIJZONDERE WAARSCHUWINGEN VOOR WERKZAAMHEDEN MET DRAADBORSTELS

- a. Houd er rekening mee dat de draadborstel ook tijdens het normale gebruik draadstukken verliest. Overbelast de draden niet door een te hoge aandrukkracht. *Wegvliegende draadstukken kunnen gemakkelijk door dunne kleding en/of de huid dringen.*
- b. Als het gebruik van een beschermkap wordt geadviseerd, dient u te voorkomen dat beschermkap en draadborstel elkaar kunnen raken. *Vlakstaal- en komstaalborstels kunnen door aandrukkracht en centrifugaalkrachten hun diameter vergroten.*

MILIEU

AFVALVERWIJDERING

Elektrische gereedschappen, toebehoren en verpakkingen moeten op een voor het milieu verantwoorde wijze worden hergebruikt.

ALLEEN VOOR LANDE VAN DE EU



Gooi elektrische gereedschappen niet bij het huisvuil. Volgens de Europese richtlijn 2002/96/EG over elektrische en elektronische oude apparaten en de omzetting van de richtlijn in nationaal recht moeten niet meer bruikbare elektrische gereedschappen apart worden ingezameld en op een voor het milieu verantwoorde wijze worden hergebruikt.

SPECIFICATIES

ALGEMENE SPECIFICATIES

Nominale spanning 230-240 V, 50-60 Hz
Nominale stroomsterkte . . . 0,5A
Onbelaste snelheid n_0 33.000/min
Spancapaciteit 0,8 mm, 1,6 mm, 2,4 mm, 3,2 mm

VERLENGKABELS

Gebruik helemaal uitgerolde en veilige verlengkabels met een vermogen van 5A.

MOTORSPECIFICATIES

Dit multigereedschap gebruikt een motor met regelbare hoge snelheid. De motor is geschikt voor gebruik op 230-240 Volt, 50-60 Hz. Controleer altijd of de spanningsvoorziening hetzelfde is als de spanning die staat vermeld op het typeplaatje van het gereedschap (gereedschappen met een vermelding van 230V of 240V kunnen ook worden aangesloten op een voeding van 220V).

MONTAGE

TREK ALTIJD EERST DE STEKKER VAN HET MULTIGEREEDSCHAP UIT HET STOPCONTACT, VOORDAT U INZETGEREEDSCHAPPEN OF SPANTANGEN GAAT WISSELEN OF ONDERHOUD AAN HET GEREEDSCHAP GAAT PLEGEN.

ALGEMEEN

Het Dremel multigereedschap is een precisiegereedschap van hoge kwaliteit dat kan worden gebruikt voor het uitvoeren van gedetailleerde en ingewikkelde toepassingen. Het uitgebreide gamma aan Dremel accessoires en hulpstukken stelt u in staat om een grote verscheidenheid aan toepassingen uit te voeren. Deze omvatten toepassingen als schuren, uitsnijdingen maken en graveren en frezen, snijden, reinigen en polijsten. AFBEELDING 2

AFBEELDING 1

- A. Spanmoer
- B. Spantang
- C. Afdekplaatje op de behuizing
- D. Hulpstukkoppelstuk
- E. As-blokkeringsknop

- F. Aan/Uit-schakelaar en knop voor variabele snelheid
- G. Borstelkap (één aan elke kant)
- H. Ventilatieopeningen
- I. Ophanghaak
- J. Spantang
- K. Voedingskabel

SPANTANGEN

De voor het multigereedschap verkrijgbare Dremel accessoires zijn er met verschillende schachtmaten. Er zijn vier maten spantangen verkrijgbaar voor de verschillende schachtmaten. De spantangmaten zijn te herkennen aan de ringen op de achterkant van de spantang.

AFBEELDING 3

- L. 3,2 mm spantang zonder ring (480)
- M. 2,4 mm spantang met drie ringen (481)
- N. 1,6 mm spantang met twee ringen (482)
- O. 0,8 mm spantang met één ring (483)

OPMERKING: Sommige multigereedschapsets bevatten eventueel niet alle vier spantangmaten. Spantangen zijn apart verkrijgbaar.

Gebruik altijd de spantang die overeenkomt met de maat van de asschacht van het accessoire dat u wilt gaan gebruiken. Probeer niet een schacht met een grotere diameter in een kleinere spantang te duwen.

SPANTANGEN WISSELEN

AFBEELDING 4

- P. As-blokkeringsknop
- Q. Spantang
- R. Vastdraaien
- S. Losdraaien
- T. Spanmoer

1. Druk op de as-blokkeringsknop, houd deze ingedrukt en draai de as met de hand tot de schacht blokkeert. Druk de as-blokkeringsknop niet in terwijl het multigereedschap draait.
2. Draai bij ingedrukte as-blokkeringsknop de spanmoer los en verwijder deze. Gebruik indien nodig de spantang.
3. Verwijder de spantang door deze van de as te trekken.
4. Plaats de spantang van het juiste formaat in de as en breng de spanmoer opnieuw handvast aan. Draai de moer niet helemaal vast als er geen accessoire of inzetgereedschap is geplaatst.

ACCESSOIRES WISSELEN

AFBEELDING 5/6

- U. As-blokkeringsknop

1. Druk op de as-blokkeringsknop, houd deze ingedrukt en draai de as met de hand tot de schachtblokkering vastklikt. *Druk de as-blokkeringsknop niet in terwijl het multigereedschap draait.*

2. Draai bij ingedrukte as-blokkeringsknop de spanmoer los (maar verwijder deze niet). Gebruik indien nodig de spantang.
3. Plaats de schacht van het accessoire of inzetgereedschap helemaal in de spantang.
4. Terwijl de asvergrendeling is ingeschakeld, moet u de spanmoer handvast vastdraaien tot de schacht van het accessoire door de spantang wordt vastgegrepen.
OPMERKING: Lees absoluut de bij uw Dremel accessoire meegeleverde instructies voor meer informatie over het gebruik ervan.

Gebruik uitsluitend door Dremel geteste accessoires met groot prestatievermogen.

EEN GOED BEGIN

GEBRUIK

De eerste stap bij het gebruik van het multigereedschap is u vertrouwd maken met het gereedschap. Houd het gereedschap in uw hand en voel het gewicht en de balans. Voel de taps toelopen de behuizing. Dit tapse toelopen maakt het mogelijk om het gereedschap bijna als een pen of potlood vast te houden. Het unieke softgrip op de neus zorgt voor extra comfort en controle tijdens gebruik.

Houd het gereedschap altijd uit de buurt van uw gezicht. Accessoires kunnen worden beschadigd tijdens het gebruik en kunnen uit elkaar spatten door het hoge toerental.

Bedek bij het vasthouden van het gereedschap niet de ventilatieopeningen met uw hand. Blokkeren van de ventilatieopeningen kan leiden tot oververhitting van de motor.

BELANGRIJK! Oefen eerst op een stuk afvalmateriaal om te kijken hoe het gereedschap bij hoge snelheid presteert. Denk eraan dat uw multigereedschap het beste werk levert, wanneer u de snelheid, samen met het juiste Dremel accessoire en juiste hulpstuk, het werk voor u laat doen. Oefen indien mogelijk tijdens gebruik geen druk uit op het gereedschap. Breng in plaats daarvan het draaiende accessoire lichtjes omlaag naar het werkstukoppervlak en laat de punt daar contact maken waar u wilt beginnen. Concentreer u op het geleiden van het gereedschap over het werkstuk, met een lichte druk van uw hand. Sta toe dat het accessoire het werk doet. Het is gewoonlijk beter om met het gereedschap een aantal keren dezelfde bewerkingsstappen uit te voeren dan om de hele klus in één keer te willen doen. Een voorzichtige aanpak zorgt voor de beste controle en vermindert de kans op fouten.

Voor de beste controle bij nauwkeurig werk moet u het multigereedschap als een pen tussen duim en wijsvinger houden.
AFBEELDING 7

Het vasthouden als een golfclub is de beste methode voor zwaardere bewerkingen zoals slijpen of snijden. AFBEELDING 8

WERKTOERENTALEN

Dit gereedschap is een HS-multigereedschap. De toerentalen ervan variëren van 10.000 tot 33.000 OPM. Wanneer u de omwentelingen per minuut afstelt op uw klus, zorgt dit voor een beter eindresultaat. Stel voor het verkrijgen van de beste resultaten bij het werken met verschillende materialen het

variabele toerental in afhankelijk van de betreffende klus. Oefen eerst op een stuk afvalmateriaal om het juiste toerental voor het gebruikte accessoire te kiezen.

OPMERKING: Toerental wordt beïnvloed door veranderingen in spanning. Een verminderde ingangsspanning maakt de omwentelingen per minuut van het gereedschap langzamer, met name in de laagste instelling. Als uw gereedschap langzaam lijkt te draaien, verhoog dan de toerentalinstelling dienovereenkomstig. Het kan zijn dat het gereedschap niet start, wanneer de schakelaar in de laagste stand staat, in gebieden waar de spanning uit het stopcontact minder dan 220 Volt is. Zet de toerentalknop eenvoudig op een hogere stand om te beginnen met het werk. De schakelaarstanden van het multigereedschap van de 300 serie zijn gemarkeerd op de toerentalregelknop. Raadpleeg de tabel met toerentalinstellingen op de pagina's 4-6 om het juiste toerental voor het te bewerken materiaal en het gebruikte accessoire te helpen bepalen.

- A) Voor gebruik bij gipskarton. Gebruik voor het beste resultaat een toerental van 33.000 OPM.
 - B) Voor gebruik voor het verwijderen van voegspecie tussen wand- en vloertegels. Gebruik instelling 6-8.
- *) Toerental voor lichte snijwerkzaamheden. Pas op, verbranding bij diepe groeven mogelijk.*
- Afhankelijk van snijrichting t.o.v. draad.

De meeste klussen kunnen worden uitgevoerd wanneer het gereedschap in de hoogste stand wordt gebruikt. Bepaalde materialen (sommige kunststoffen en metalen) kunnen echter worden beschadigd door de hitte die vrijkomt bij een hoog toerental, en dienen met relatief lage toerentalen te worden bewerkt. Gebruik met een laag toerental (15.000 OPM of minder) is gewoonlijk het beste voor polijstwerkzaamheden met de polijstaccessoires van vilt. Alle toepassingen met de draadborstel vereisen lagere toerentalen om te voorkomen dat draadstukken uit de houder vliegen. Laat de prestatie van het gereedschap het werk voor u doen bij het gebruik van lagere toerentalen. Hogere toerentalen zijn beter voor hardhout, metalen en glas en voor boren, uitsnijdingen maken, snijden, frezen, frezen van profielen en zagen van plinten of spouwen in hout. De instellingen voor globale omwentelingen per minuut zijn:

Knopinstelling	Toerentalbereik
1-2	10.000-14.000 OPM
3-4	15.000-19.000 OPM
5-6	20.000-24.000 OPM
7-8	25.000-29.000 OPM
9-10	30.000-33.000 OPM

Enkele richtlijnen met betrekking tot het toerental van het gereedschap:

- Kunststof en ander materiaal dat bij lage temperaturen smelt, moet met een laag toerental worden bewerkt.
- Polijsten, poetsen en reinigen met een draadborstel moet met een toerental niet hoger dan 15.000 OPM worden uitgevoerd om schade aan de borstel en uw materiaal te voorkomen.
- Hout moet met een hoog toerental worden gezaagd.
- Ijzer of staal moet met een hoog toerental worden gezaagd.
- Als een snelfrees voor staal begint te trillen, wijst dit er gewoonlijk op dat deze te langzaam draait.

- Aluminium, koperlegeringen, zinklegeringen en tin kunnen met verschillende toerentallen worden bewerkt, afhankelijk van het type bewerking dat u wilt uitvoeren. Gebruik een paraffine (geen water) of een ander geschikt smeermiddel om te voorkomen dat er materiaalresten tussen de zaagtanden van de frees gaan zitten.

OPMERKING: Verhoging van de druk op het gereedschap is niet de juiste reactie, wanneer het niet correct presteert. Probeer een andere accessoire of een andere toerentalinstelling om het gewenste resultaat te verkrijgen.

ONDERHOUD

Preventief onderhoud dat uitgevoerd wordt door onbevoegd personeel, kan resulteren in verkeerd terugplaatsen van inwendige draden en onderdelen. Hierdoor ontstaat groot gevaar. Wij raden aan, dat alle onderhoudswerkzaamheden aan het gereedschap uitgevoerd worden door de Dremel service-afdeling. Om letsel door onverwacht starten of een elektrische schok te vermijden, moet u altijd de stekker uit het stopcontact trekken voordat u onderhouds- of reinigingswerkzaamheden gaat uitvoeren.

KOOLBORSTELS

De koolborstels in uw gereedschap zijn ontworpen voor vele uren betrouwbare dienst. Om de koolborstels voor gebruik voor te bereiden, moet u het gereedschap gedurende 5 minuten onbelast op volle snelheid laten draaien. Hierdoor gaan de koolborstels goed "zitten" en wordt de levensduur van het gereedschap verlengd. Om een optimale prestatie van de motor te behouden, moet u de koolborstels iedere 40-50 uur onderzoeken op slijtage.

Gebruik van het gereedschap met versleten koolborstels zorgt voor onherstelbare schade aan de motor. Gebruik uitsluitend originele Dremel vervangingskoolborstels. Controleer de koolborstels van het multigereedschap na 40-50 gebruiksuren. Als het multigereedschap onregelmatig loopt, kracht verliest of ongewone geluiden maakt, controleer dan de koolborstels op slijtage en vervang deze eventueel. Volg deze stappen voor het controleren/verwisselen van de koolborstels van het multigereedschap:

1. Leg het gereedschap na het uit het stopcontact trekken van de stekker op een schoon oppervlak. Gebruik de sleutel van het gereedschap als een schroevendraaier om de afdekplaatjes van de koolborstels te verwijderen. AFBEELDING 9
2. Verwijder de koolborstels uit het gereedschap door aan de veer te trekken die aan de koolborstel is bevestigd. Als de koolborstel minder dan 3mm lang is en het oppervlak van de koolborstel dat de collector raakt, ruw of aangevreten is, moeten de koolborstels worden vervangen. Zorg ervoor dat u beide koolborstels controleert. AFBEELDING 10
3. Als een koolborstel is versleten, moet u beide koolborstels vervangen voor een betere prestatie van uw multigereedschap. Verwijder de veer van de koolborstel, gooi de oude koolborstel weg en plaats de veer op een nieuwe koolborstel.

4. Zet de koolborstel met de veer terug in het gereedschap; de koolborstel past maar op één manier in het gereedschap.
5. Zet de afdekplaatjes van de koolborstels terug op het gereedschap door het afdekplaatje naar rechts te draaien. Gebruik de sleutel om de afdekplaatjes vast te draaien, maar DRAAI DEZE NIET TE VAST AAN! Na vervangen van de koolborstels moet u het gereedschap onbelast laten lopen; leg het gereedschap op een schoon oppervlak en laat het gedurende 5 minuten op volle snelheid onbelast lopen, voordat u het gaat belasten (of gebruiken). Hierdoor gaan de koolborstels goed "zitten" en verlengt u de levensduur van iedere set koolborstels. Zo wordt ook de levensduur van uw gereedschap verlengd, aangezien het oppervlak van de collector dan ook beter en langer meegaat.

HET GEREEDSCHAP REINIGEN

TREK VOOR HET REINIGEN DE STEKKER UIT HET STOPCONTACT

Ventilatie-openingen en schakelaarhendels moeten schoon en vrij van vreemde voorwerpen gehouden worden. Probeer deze niet te reinigen door spitse voorwerpen door de openingen te steken. *Het gereedschap kan eventueel met perslucht worden gereinigd. Draag altijd een veiligheidsbril bij het reinigen van gereedschap met perslucht.*

Het Dremel multigereedschap hoeft niet te worden gesmeerd. *Bepaalde reinigings- en oplosmiddelen tasten kunststof onderdelen aan. Enkele van deze zijn: benzine, tetrachloorkoolstof, gechloreerde reinigingsoplosmiddelen, ammoniak en huishoudelijke schoonmaakmiddelen die ammoniak bevatten.*

Reinig de "softgrip" vlakken van het gereedschap met een vochtige doek. Vlakken die erger zijn verontreinigd, kunnen meer dan één keer vegen nodig hebben om schoon te worden.

SERVICE EN GARANTIE

Op dit DREMEL product wordt garantie verleend overeenkomstig de wettelijke/landspecifieke voorschriften; beschadiging op grond van normale slijtage, overbelasting of onjuiste bediening zijn uitgesloten van de garantie.

Stuur in geval van klachten het gereedschap *volledig intact* samen met het aankoopbewijs naar uw dealer.

CONTACT OPNEMEN MET DREMEL

Ga voor meer informatie over het Dremel assortiment, support en hotline naar www.dremel.com

Dremel Europe, Postbus 3267, 4800 DG Breda, Nederland

OVERSÆTTELSE AF BETJENINGSVEJLEDNING



⚠ ADVARSEL LÆS ALLE INSTRUKTIONERNE.

I tilfælde af manglende overholdelse af nedenstående instrukser er der risiko for elektrisk stød, alvorlige personskader, og der kan opstå brandfare. Det benyttede begreb „el-værktøj“ refererer til netdrevne maskiner (med netkabel) og akkudrevne maskiner (uden netkabel).

DISSE INSTRUKSER BØR OPBEVARES TIL SENERE BRUG


1. ARBEJDSOMRÅDE

- Sørg for, at arbejdsområdet er rent og ryddeligt. Uorden og uoplyste arbejdsområder øger faren for uheld.
- Brug ikke maskinen i eksplosionsstruede omgivelser, hvor der er brændbare væsker, gasser eller støv. *El-værktøj kan slå gnister, der kan antænde støv eller dampe.*
- Sørg for, at andre personer og ikke mindst børn holdes væk fra arbejdsområdet, når maskinen er i brug. *Hvis man distraheres, kan man miste kontrollen over maskinen.*

2. ELEKTRISK SIKKERHED

- Maskinens stik skal passe til kontakten. Stikket må under ingen omstændigheder ændres. Brug ikke adapterstik sammen med jordforbundne maskiner. *Uændrede stik, der passer til kontakterne, nedsætter risikoen for elektrisk stød.*
- Undgå kropskontakt med jordforbundne overflader som f.eks. rør, radiatorer, komfurer og køleskabe. *Hvis din krop er jordforbundet, øges risikoen for elektrisk stød.*
- Maskinen må ikke udsættes for regn eller fugt. *Indtrængning af vand i maskinen øger risikoen for elektrisk stød.*
- Brug ikke kablet til formål, den ikke er beregnet til (f.eks. må man aldrig bære maskinen i kablet, hænge maskinen op i kablet eller rykke i kablet for at trække stikket ud af kontakten). Beskyt kablet mod varme, olie, skarpe kanter eller maskindele, der er i bevægelse. *Beskadigede eller indviklede kabler øger risikoen for elektrisk stød.*
- Hvis maskinen benyttes i det fri, må der kun benyttes en forlængerledning, der er godkendt til udendørs brug. *Brug af forlængerledning til udendørs brug nedsætter risikoen for elektrisk stød.*

3. PERSONLIG SIKKERHED

- Det er vigtigt at være opmærksom, se, hvad man laver, og bruge maskinen fornuftigt. Man bør ikke bruge maskinen, hvis man er træt, har nydt alkohol eller er påvirket af medicin eller euforiserende stoffer. *Få sekunders uopmærksomhed ved brug af maskinen kan føre til alvorlige personskader.*
-  Brug beskyttelsesudstyr, og hav altid beskyttelsesbriller på. *Brug af beskyttelsesudstyr, f.eks. støvmaske og skridsikkert fodtøj, (afhængigt*

af el-værktøjets type og anvendelsesområde) reducerer risikoen for kvæstelser.

- Undgå utilsigtet igangsætning. Kontrollér altid, at el-værktøjet er slukket, før stikket sættes i. *Undgå at bære maskinen med fingrene på afbryderen og sørg for, at maskinen ikke er tændt, når den sluttes til nettet, da dette øger risikoen for personskader.*
- Fjern indstillingsværktøj eller skruenøgle, inden maskinen tændes. *Hvis et stykke værktøj eller en nøgle sidder i en roterende maskindel, er den farlig for personskader.*
- Overvurdér ikke dig selv. *Sørg for at stå sikkert, mens der arbejdes, og kom ikke ud af balance. Det er derved nemmere at kontrollere maskinen, hvis der skulle opstå uventede situationer.*
- Brug egnet arbejdstøj. *Undgå løse beklædningsgenstande eller smykker. Hold hår, tøj og handsker væk fra dele, der bevæger sig. Dele, der er i bevægelse, kan gribe fat i løstsiddende tøj, smykker eller lang hår.*
- Hvis støvudsugnings- og opsamlingsudstyr kan monteres, er det vigtigt, at dette tilsluttes og benyttes korrekt. *Brug af dette udstyr nedsætter risikoen for personskader som følge af støv.*

4. OMHYGGELIG BRUG OG HÅNDTERING AF EL-VÆRKTØJ

- Overbelast ikke maskinen. Brug altid en maskine, der er beregnet til det stykke arbejde, der skal udføres. *Med den rigtige maskine arbejder man bedst og mest sikkert inden for det angivne effektområde.*
- Brug ikke en maskine, hvis afbryder er defekt. *En maskine, der ikke kan startes og stoppes, er farlig og skal repareres.*
- Træk stikket ud af stikkontakten, inden maskinen indstilles, der skiftes tilbehør, eller maskinen lægges fra. *Disse sikkerhedsforanstaltninger forhindrer utilsigtet start af maskinen.*
- Opbevar ubenyttet el-værktøj uden for børns rækkevidde. Lad aldrig personer, der ikke er fortrolige med maskinen eller ikke har gennemlæst disse instrukser, benytte maskinen. *El-værktøj er farligt, hvis det benyttes af ukyndige personer.*
- Maskinen bør vedligeholdes omhyggeligt. Kontrollér om bevægelige dele fungerer korrekt og ikke sidder fast, og om delene er brækket eller beskadiget, således at maskinens funktion påvirkes. Få beskadigede dele repareret, inden maskinen tages i brug. *Mange uheld skyldes dårligt vedligeholdte maskiner.*
- Sørg for, at skæreværktøjer er skarpe og rene. *Omhyggeligt vedligeholdte skæreværktøjer med skarpe skærekanter sætter sig ikke så hurtigt fast og er nemmere at føre.*
- Brug el-værktøj, tilbehør, indsatsværktøj osv. iht. disse instrukser, og sådan som det kræves for denne specielle værktøjstype. Tag hensyn til arbejdsforholdene og det arbejde, der skal udføres. *I tilfælde af anvendelse af værktøjet til formål, som ligger uden for det fastsatte anvendelsesområde, kan der opstå farlige situationer.*

5. SERVICE

- Sørg for, at maskinen kun repareres af kvalificerede fagfolk, og at der kun benyttes originale reservedele. *Dermed sikres størst mulig maskinsikkerhed.*

SIKKERHEDSINSTRUKSER FOR ALLE ANVENDELSESFORMÅL

FÆLLES ADVARSELSHENVISNINGER TIL SLIBNING, SANDPAPIRSLIBNING, ARBEJDE MED TRÅDBØRSTER, POLERING OG SKÆREARBEJDE

- a. Dette el-værktøj kan anvendes som sliber, sandpapiersliber, trådbørste, poleringsmaskine og skæremaskine. Læs og overhold alle advarsler, instruktioner, illustrationer og data, som du modtager i forbindelse med el-værktøjet. *Overholder du ikke følgende instruktioner, kan du få elektrisk stød, der kan opstå brand og/eller du kan blive kvæstet alvorligt.*
- b. Anvend kun tilbehør, hvis det er beregnet til dette el-værktøj og anbefalet af fabrikanten. *En mulig fastgørelse af tilbehøret til el-værktøjet sikrer ikke en sikker anvendelse.*
- c. Den tilladte hastighed for tilbehøret skal mindst være så høj som den maks. hastighed, der er angivet på el-værktøjet. *Tilbehør, der drejer hurtigere end tilladt, kan blive ødelagt.*
- d. Tilbehørets udvendige diameter og tykkelse skal svare til målene på dit el-værktøj. *Forkert dimensionerede tilbehørsdele kan ikke afskærmes eller kontrolleres tilstrækkeligt.*
- e. Slibeskiver, flanger, slibebagskiver eller andet tilbehør skal passe nøjagtigt til slibespindlen på dit el-værktøj. *Tilbehør, der ikke passer nøjagtigt på el-værktøjets slibespindel, drejer ujævn, vibrerer meget stærkt og kan medføre, at man taber kontrollen.*
- f. Brug ikke el-værktøjet, hvis det er beskadiget. Kontrollér altid før brug tilbehør som f.eks. slibeskiver for afspiltninger og revner, slibebagskiver for revner, slid eller stærkt slid, trådbørster for løse eller brækkede tråde. *Tabes el-værktøjet eller tilbehøret på jorden, skal du kontrollere, om det er beskadiget; anvend evt. ubeskadiget tilbehør. Når tilbehøret er kontrolleret og indsat, skal du holde dig selv og personer, der befinder sig i nærheden, uden for det niveau, hvor tilbehøret roterer, og lad el-værktøjet køre i et minut ved højeste hastighed. *Beskadiget tilbehør brækker for det meste i denne testtid.**
- g. Brug personligt beskyttelsesudstyr. Brug helmaske til ansigtet, øjenværn eller beskyttelsesbriller, afhængigt af det udførte arbejde. Brug afhængigt af arbejdets art støvmaske, hørevern, beskyttelseshandsker eller specialforklæde, der beskytter dig mod små slibe- og materialepartikler fra arbejdsemnet. *Øjnene skal beskyttes mod fremmede genstande, der flyver rundt i luften og som opstår i forbindelse med forskelligt arbejde. Støveler åndedrætsmaske skal filtrere det støv, der opstår under arbejdet. Udsættes du for høj støj i længere tid, kan du lide høretab.*
- h. Sørg for tilstrækkelig afstand til andre personer under arbejdet. *Enhver, der betræder arbejdsområdet, skal bruge personligt beskyttelsesudstyr. Brudstykker fra arbejdsemnet eller brækket tilbehør kan flyve væk og føre til kvæstelser også uden for det direkte arbejdsområde.*
- i. Hold altid kun el-værktøjet i de isolerede gribeblader, når du udfører arbejde, hvor tilbehøret kan ramme bøjede strøm-kabler eller værktøjets eget kabel. *Kontakt med et spændingsførende kabel sætter også metaldele under spænding, hvilket fører til elektrisk stød.*

- j. Hold netkablet væk fra roterende tilbehør. *Taber du kontrollen over el-værktøjet, kan netkablet skæres over eller rammes, og din hånd eller din arm kan trækkes ind i det roterende tilbehør.*
- k. Læg aldrig el-værktøjet til side, før tilbehøret står helt stille. *Det roterende tilbehør kan komme i kontakt med fralægningsfladen, hvorved du kan tabe kontrollen over el-værktøjet.*
- l. Lad ikke el-værktøjet køre, mens det bæres. *Dit tøj kan blive fanget ved en tilfældig kontakt med det roterende tilbehør, hvorved tilbehøret kan bore sig ind i din krop.*
- m. Rengør ventilationsåbningerne på dit el-værktøj med regelmæssige mellemrum. *Motoren trækker støv ind i huset, og store mængder metalstøv kan være farligt rent elektrisk.*
- n. Brug ikke el-værktøjet i nærheden af brændbare materialer. *Gnister kan sætte ild i materialer.*
- o. Brug ikke tilbehør, der transporterer flydende kølemiddel. *Brug af vand eller andre flydende kølemidler kan føre til elektrisk stød.*
- p. **Ikke bearbejdet asbestholdigt material** (asbest kan fremkalle kræft).
- q. **Utfør beskyttelsestiltak hvis det kan opstå helsefarlig, brennbar eller eksplosivt støv under arbejdet** (enkelte støvtyper kan være kreftfremkaldende); brug en støvmaske og brug et støv-/ sponavsug, hvis dette kan koples til.

TILBAGESLAG OG TILSVARENDE ADVARSLER

- Tilbageslag er en pludselig reaktion, som skyldes, at et roterende tilbehør (slibemaskine, slibebagskive, trådbørste osv.) har sat sig fast eller blokerer. Fastsættelse eller blokering fører til et pludseligt stop af det roterende tilbehør. Derved accelererer et ukontrolleret el-værktøj mod tilbehørets drejeretning på blokeringsstedet. *Sidder f.eks. en slibeskive fast eller blokerer i et arbejdsemne, kan kanten på slibeskiven, der dykker ned i arbejdsemnet, blive siddende, hvorved slibeskiven brækker af eller fører til et tilbageslag. Slibeskiven bevæger sig så hen imod eller væk fra betjeningspersonen, afhængigt af skivens drejeretning på blokeringsstedet. I denne forbindelse kan slibeskiver også brække. Et tilbageslag skyldes forkert eller fejlbæftet brug af el-værktøjet. Det kan forhindres ved at træffe egnede forsigtighedsforanstaltninger, der beskrives i det følgende.*
- a. Hold godt fast i el-værktøjet og sørg for at både krop og arme befinder sig i en position, der kan klare tilbageslagskræfterne. Anvend altid ekstrahåndtaget, hvis et sådant findes, for at have så meget kontrol som muligt over tilbageslagskræfterne eller reaktionsmomenterne, når maskinen kører op i hastighed. *Betjeningspersonen kan beherske tilbageslags- og reaktionskræfterne med egnede forsigtighedsforanstaltninger.*
 - b. Sørg for at din hånd aldrig kommer i nærheden af det roterende tilbehør. *Tilbehøret kan bevæge sig hen over din hånd i forbindelse med et tilbageslag.*
 - c. Undgå at din krop befinder sig i det område, hvor el-værktøjet bevæger sig i forbindelse med et tilbageslag. *Tilbageslaget driver el-værktøjet i modsat retning af slibeskivens bevægelse på blokeringsstedet.*
 - d. Arbejd særlig forsigtig i områder som f.eks. hjørner, skarpe kanter osv. Undgå, at tilbehøret slår tilbage fra arbejdsemnet og sætter sig fast. *Det roterende tilbehør har tendens til at sætte sig fast, når det anvendes i hjørner, skarpe kanter eller hvis det springer tilbage. Dette medfører tab af kontrol eller tilbageslag.*

- e. Brug ikke kædesavklinger eller tandede savklinger. *Sådan indsatsværktøj fører hyppigt til tilbageslag eller til at man taber kontrollen over el-værktøjet.*

SÆRLIGE ADVARSELSHENVISNINGER TIL SLIBNING OG SKÆREARBEJDE

- a. Brug udelukkende slibeskiver/slibestifter, der er godkendt til dit el-værktøj, og den beskyttelseskærm, der er beregnet til disse slibeskiver/slibestifter. *Slibeskiver/ slibestifter, der ikke er beregnet til el-værktøjet, kan ikke beskyttes tilstrækkeligt og er usikre.*
- b. Slibeskiver/slibestifter må kun anvendes til de anbefalede formål. F.eks.: Slib aldrig med sidefladen på en skæreskive. *Skæreskiver er bestemt til materialeafslibning med kanten på skiven. Udsættes disse slibeskiver/slibestifter for sidevendt kraftpåvirkning, kan de ødelægges.*
- c. Anvend altid ubeskadigede spændeflanger i den rigtige størrelse og form, der passer til den valgte slibeskive. *Egnede flanger støtter slibeskiven og forringer således faren for brud på slibeskiven. Flanger til skæreskiver kan være forskellige fra flanger for andre slibeskiver.*
- d. Brug ikke slidte slibeskiver, der passer til større el-værktøj. *Slibeskiver til større el-værktøj kan brække, da de ikke er egnede til de højere omdrejningstal, som småt el-værktøj arbejder med.*

YDERLIGERE SÆRLIGE ADVARSELSHENVISNINGER TIL SKÆREARBEJDE

- a. Undgå at skæreskiven blokerer eller får for højt modtryk. Foretag ikke meget dybe snit. *Overbelastes skæreskiven, øges skivens belastning og der er større tendens til, at skiven kan sætte sig i klemme eller blokere, hvilket igen kan føre til tilbageslag eller brud på slibeskiven/slibestiften.*
- b. Undgå området for og bag ved den roterende skæreskive. *Bevæger du skæreskiven i emnet væk fra dig selv, kan el-værktøjets roterende skive slynges direkte ind mod dig i tilfælde af et tilbageslag.*
- c. Sidder skæreskiven i klemme eller afbryder du arbejdet, slukkes el-værktøjet og maskinen holdes roligt, til skiven er stoppet. Forsøg aldrig at trække skæreskiven ud af snittet, mens den roterer, da dette kan føre til et tilbageslag. *Lokalisér og afhjælp fejlen.*
- d. Tænd ikke for el-værktøjet, så længe det befinder sig i arbejdsemnet. Sørg for at skæreskiven når op på sit fulde omdrejningstal, før du forsigtigt fortsætter snittet. *Ellers kan skiven sætte sig i klemme, springe ud af arbejdsemnet eller forårsage et tilbageslag.*
- e. Understøt plader eller store arbejdsemner for at reducere risikoen for et tilbageslag som følge af en fastklemt skæreskive. *Store arbejdsemner kan bøje sig under deres egen vægt. Arbejdsemnet skal støttes på begge sider, både i nærheden af skæresnittet og ved kanten.*
- f. Vær særlig forsigtig ved „lommesnit“ i bestående vægge eller andre områder, hvor man ikke har direkte indblik. *Den neddykkende skæreskive kan forårsage et tilbageslag, når der skæres i gas-eller vandledninger, elektriske kabler eller andre genstande.*

SÆRLIGE ADVARSELSHENVISNINGER TIL SANDPAPIRSLIBNING

- a. Anvend ikke overdimensioneret slibepapir, men læs og overhold fabrikantens forskrifter mht. slibepapirets størrelse. *Slibepapirer, der rager ud over slibeabgskiven, kan føre til kvæstelser eller blokering eller iturivning af slibepapirerne eller til tilbageslag.*

SÆRLIGE ADVARSELSHENVISNINGER I FORBINDELSE MED POLERING

- a. Undgå løse dele på poleringshætten, især fastgørelsessnore. Afkort fastgørelsessnorene eller gem dem væk. *Løse, meddrejende fastgørelsessnore kan gribe fat i dine fingre eller sætte sig fast i arbejdsemnet.*

SÆRLIGE ADVARSELSHENVISNINGER I FORBINDELSE MED ARBEJDE MED TRÅDBØRSTER

- a. Vær opmærksom på, at trådbørsten også taber trådstykker under almindelig brug. Overbelast ikke trådene med et for stort tryk. *Flyvende trådstykker kan meget hurtigt trænge ind under tyndt tøj og/eller huden.*
- b. Anbefales det at bruge en beskyttelseskærm, skal du forhindre, at beskyttelseskærm og trådbørste kan berøre hinanden. *Tallerken- og kopbørster kan øge deres diameter som følge af tryk og centrifugalkraft.*

MILJØ

BORTSKAFFELSE

El-værktøj, tilbehør og emballage skal genbruges på en miljørigtig måde.

GÆLDER KUN I EU-LANDE



Smid ikke el-værktøj ud sammen med det almindelige husholdningsaffald!

Iht. det europæiske direktiv 2002/96/EF om affald af elektrisk og elektronisk udstyr skal kasseret elektrisk udstyr indsamles separat og genbruges iht. gældende miljøforskrifter.

SPECIFIKATIONER

GENERELLE SPECIFIKATIONER

Nominel spænding 230-240 V, 50-60 Hz
Mærkestrøm 0,5 A
Omdrejningstal, ubelastet n₀ 33.000/min
Patronens kapacitet 0,8 mm, 1,6 mm, 2,4 mm, 3,2 mm

FORLÆNGERLEDNINGER

Brug altid kun sikre forlængerledninger med en kapacitet på 5 ampere, og rul dem helt ud.

MOTORSPECIFIKATIONER

Dette multiværktøj er forsynet med en variabel højhastigheds-motor. Det er konstrueret til anvendelse ved 230-240 volt, 50-60 Hz. Kontrollér altid, at forsyningsspændingen svarer til den spænding, der er angivet på værktøjets typeskilt (værktøj med en nominal spænding på 230 V eller 240 V kan også tilsluttes 220 V).

SAMLING

TRÆK ALTID MULTIVÆRKTØJETS STIK UD AF STIKKONTAKTEN FØR UDSKIFTNING AF TILBEHØR ELLER SPÆNDEPATRONER ELLER FØR EFTERSYN AF VÆRKTØJET.

GENERELT

Dremels multiværktøj er et førsteklases præcisionsværktøj, som kan anvendes til detaljerede og krævende opgaver. Det brede sortiment af Dremel tilbehør og -forsatsler giver dig mulighed for at udføre en lang række forskellige opgaver, herunder slibning, udskæring og gravering, fræsning, skæring, rengøring og polering. BILLEDE 2

BILLEDE 1

- A. Spændemøtrik
- B. Spændepatron
- C. Dæksel til hus
- D. Monteringsinterface
- E. Knap til aksellås
- F. Tænd/sluk-kontakt og variabel hastighedsvælger
- G. Børstedæksel (et i hver side)
- H. Luftåbninger
- I. Ophæng
- J. Spændenøgle
- K. Netkabel

SPÆNDEPATRONER

Dremel tilbehøret til multiværktøjet fås med forskellige skaft-størrelser. Spændepatronerne fås i fire størrelser, der passer til de forskellige skaftdiametre. Spændepatronsstørrelserne kan identificeres ved hjælp af ringene bag på spændepatronen.

BILLEDE 3

- L. 3,2 mm spændepatron uden ring (480)
- M. 2,4 mm spændepatron med tre ringe (481)
- N. 1,6 mm spændepatron med to ringe (482)
- O. 0,8 mm spændepatron med én ring (483)

BEMÆRK! Nogle multiværktøjssæt indeholder muligvis ikke alle fire spændepatronsstørrelser. Spændepatronerne fås enkeltvis.

Brug altid den spændepatron, som svarer til størrelsen på skaftet for det tilbehør, der skal bruges. Forsøg ikke at presse et værktøj med en større skaftdiameter ned i en mindre spændepatron.

UDSKIFTNING AF SPÆNDEPATRONER

BILLEDE 4

- P. Knap til aksellås
- Q. Spændenøgle
- R. Spænde
- S. Løsne
- T. Spændemøtrik

1. Tryk på knappen til aksellåsen, hold den nede, og drej skaftet med hånden, indtil knappen går i indgreb på akslen. Bring ikke knappen til aksellåsen i indgreb, når multiværktøjet kører.
2. Bring knappen til aksellåsen i indgreb, og løsn og fjern spændemøtrikken. Brug om nødvendigt spændenøglen.
3. Fjern spændepatronen ved at trække den fri af skaftet.
4. Monter spændepatronen med den korrekte størrelse på skaftet, genmonter spændemøtrikken, og spænd den til med fingrene. Spænd ikke møtrikken helt, så længe der ikke er isat en bit eller et tilbehør.

UDSKIFTNING AF TILBEHØR

BILLEDE 5/6

- U. Knap til aksellås

1. Tryk på knappen til aksellåsen, og drej skaftet med hånden, indtil knaplåsen går i indgreb. *Bring ikke knappen til aksellåsen i indgreb, når multiværktøjet kører.*
2. Bring knappen til aksellåsen i indgreb, og løsn (men fjern ikke) spændemøtrikken. Brug om nødvendigt spændenøglen.
3. Skub bitten eller tilbehørsskaftet helt ind i spændepatronen.
4. Bring knappen til aksellåsen i indgreb, og spænd spændemøtrikken til med fingrene, indtil spændepatronen har fat om bitten eller tilbehørets skaft.

BEMÆRK! Husk at læse den vejledning, der følger med dit Dremel tilbehør, for at få yderligere oplysninger om brugen af dette.

Anvend kun højtydende tilbehør testet af Dremel.

INTRODUKTION

BRUG

Første trin i brugen af multiværktøjet er at få "føling" med værktøjet. Hold det i hænderne, og mærk dets vægt og balance. Mærk kabinettets konusform. Konusformen gør det meget lettere at tage fat i værktøjet, som var det en kuglepenn eller en blyant. Værktøjets enestående udformning (softgrip) giver ekstra komfort og kontrol over værktøjet ved brug.

Hold altid værktøjet, så det vender væk fra ansigtet. Tilbehør kan blive beskadiget ved håndtering og kan slynges væk i flere stykker, når hastigheden øges.

Værktøjet skal holdes, så du ikke blokerer luftåbningerne med hånden. Hvis luftåbningerne blokeres, kan motoren blive overophedet. VIGTIGT! Afprøv værktøjet på affaldsmaterialer først for at lære, hvordan værktøjet arbejder med høj hastighed. Husk, at multiværktøjets ydelse er optimal, når hastigheden i samarbejde med det rette Dremel tilbehør og de rette Dremel forsatsler gør arbejdet for

dig. Værktøjet skal så vidt muligt trykkes ind mod emnet ved brug. Du skal i stedet sænke det roterende tilbehør en smule i forhold til emnets overflade og give det mulighed for at berøre det punkt, hvor du vil begynde. Koncentrér dig om at føre værktøjet hen over emnet uden at trykke ret meget med hånden. Lad tilbehøret gøre arbejdet. Det vil normalt være bedre at køre værktøjet hen over emnet flere gange end at gøre hele arbejdet i én arbejdsgang. Et let greb giver optimal kontrol og mindsker risikoen for fejl. Den bedste kontrol ved fint arbejde opnår du ved at holde multiværktøjet som en blyant mellem tommel- og pegefinger. BILLEDE 7 "Golf-grebet" anvendes til grovere arbejde, f.eks. slibning eller skæring. BILLEDE 8

DRIFTSFASTIGHEDER

Dette værktøj er et højhastigheds-multiværktøj. Det arbejder med hastigheder fra 10.000 til 33.000 o/min. For at opnå det bedste slutrésultat skal omdrejningshastigheden tilpasses i forhold til den forestående opgave. De bedste resultater ved arbejde med forskellige materialer opnås, når den variable hastighedsregulering indstilles, så den passer til arbejdet. Start med at lave en prøvekørsel på affaldsmateriale for at finde den rigtige hastighed til tilbehøret. **BEMÆRK:** Hastigheden afhænger af spændingen. Svagere spændingstilførsel til værktøjet bevirker et lavere omdrejningstal, især i stillingen LO. Juster hastighedsindstillingen, hvis du synes, at værktøjet kører langsommere. Værktøjet kan muligvis ikke starte i stillingen LO på steder, hvor netspændingen er under 220 V. I disse tilfælde skal værktøjet indstilles til en højere hastighed, før det startes. Indstillingsmulighederne er markeret på knappen til hastighedsregulering på multiværktøj i 300-serien. Se skemaet "Hastighedsindstillinger" på side 4-6 for at finde den korrekte hastighed og det rette tilbehør til bearbejdning af materialet.

- A) Ved anvendelse på tømrum. 33.000 o/min for at opnå optimale resultater.
- B) Ved anvendelse på mørtel på vægge og gulve. Indstilling 6-8.
- *) Hastighed til let skæring. Forsigtig: Der kan opstå skjoldning i dybe noter.
-) Afhængigt af skæreretningen i forhold til årens retning. Værktøjet kan klare de fleste opgaver, når det er indstillet til højeste hastighed. Nogle materialer (f.eks. nogle typer plast og metal) kan dog blive beskadiget på grund af den varme, der opstår ved højhastighedsbearbejdning, og de bør derfor bearbejdes ved relativt lav hastighed. Lav hastighed (15.000 o/min eller lavere) er normalt at foretrække ved polering, hvor poleringsudstyret af filt anvendes. Al bearbejdning med børster bør udføres ved lav hastighed for at undgå, at børstetråde frigøres fra holderen. Lad værktøjet gøre arbejdet for dig, når du arbejder med lav hastighed. Højere hastighed er bedre egnet til bearbejdning af hårde træsorter, metal og glas samt til boring, udskæring, skæring, fræsning, formning og udskæring af friser eller falseopgaver i træ. Indstillingerne giver ca. de følgende omdrejningshastigheder:

Knapiindstilling	Hastighedsområde
1-2	10.000-14.000 o/min
3-4	15.000-19.000 o/min
5-6	20.000-24.000 o/min
7-8	25.000-29.000 o/min
9-10	30.000-33.000 o/min

Et par retningslinjer for indstilling af værktøjshastigheden:

- Plast og andre materialer, der smelter ved lave temperaturer, skal skæres med lav hastighed.
- Polering, højglanspolering og rengøring med stålborste skal foretages med en hastighed, der er under 15.000 o/min for at undgå at beskadige børsten og materialet, der bearbejdes.
- Træ skal skæres ved høj hastighed.
- Jern og stål skal skæres med høj hastighed.
- Hvis et skærende højhastighedsværktøj begynder at vibrere ved bearbejdning af stål, er det normalt et tegn på, at hastigheden er for lav.
- Aluminium, kobberlegeringer, blylegeringer, zinklegeringer og tin kan skæres ved forskellige hastigheder afhængigt af den konkrete skæringsmetode. Anvend paraffin (ikke vand) eller et andet velegnet smøremiddel på klingens overflade for at undgå, at materialet hænger fast på værktøjets skær.

BEMÆRK: Det hjælper ikke at presse værktøjet ind mod emnet, når værktøjet ikke kører korrekt. Prøv i stedet at skifte tilbehør eller arbejdsfasthed for at opnå det ønskede resultat.

VEDLIGEHOLDELSE

Forebyggende vedligeholdelse udført af uautoriserede personer indebærer en risiko for ombytning af indvendige ledere og komponenter, hvilket kan være farligt. Vi anbefaler, at al service på værktøjet udføres af et Dremel serviceværksted. Tag altid stikket ud, før reparation eller rengøring af værktøjet påbegyndes, da der ellers er risiko for personskader som følge af elektrisk stød eller for, at værktøjet starter uventet.

KULSTOFSTÅLBØRSTER

Børsterne, der leveres med multiværktøjet, er designet til at være driftsikre og have en lang levetid. Børsterne klargøres til brug ved at lade værktøjet køre med maksimal hastighed i 5 minutter uden belastning. På den måde "placeres" børstehårene korrekt, og værktøjets levetid forlænges. Det skal kontrolleres, om børsterne er slidt for hver 40-50 timer, for at sikre at motoren vedbliver med at arbejde med optimal effekt.

Brug af værktøjer med slidte børster kan medføre permanent beskadigelse af motoren. Brug kun originale Dremel reservedele, når du udskifter børster. Kontroller multiværktøjets børster efter 40-50 timers drift. Kontroller, om børsterne er slidte og eventuelt skal udskiftes, hvis multiværktøjet kører uregelmæssigt eller mister ydeevne, eller hvis der kommer usædvanlige lyde fra multiværktøjet. Multiværktøjets børster kontrolleres/udskiftes på følgende måde:

1. Træk stikket ud, og læg værktøjet på en ren overflade. Brug værktøjshøjgen som skruetrækker, og fjern børstedækslerne. BILLEDE 9
2. Fjern børsterne fra værktøjet ved at trække i fjederen på kulstofstålbørsten. Hvis børstehårene er kortere end 3 mm, og overfladen på børsten, der rører kommutatoren, er ujævn eller hullet, skal kulstofstålbørsterne udskiftes. Husk at kontrollere begge børster. BILLEDE 10

3. Hvis det kun er den ene børste, der er slidt, bør begge børster alligevel udskiftes for at sikre optimal ydelse af multiværktøjet. Fjern fjederen fra børsten, smid den slidte børste ud, og sæt fjederen i en ny børste.
4. Sæt kulstofstålborsten med fjeder tilbage i multiværktøjet. Børsten kan kun vende på én måde i værktøjet.
5. Sæk børstedækslerne tilbage på multiværktøjet, idet de skrues fast ved at dreje dem med uret. Tilspænd dem ved hjælp af nøglen, men pas på ikke at SPÆNDE FOR HÅRDT! Lad multiværktøjet køre uden belastning, efter at børsterne er blevet skiftet. Læg værktøjet på en ren overflade, og lad det køre frit ved maksimal hastighed i 5 minutter, før værktøjet belastes (eller anvendes). På den måde "placeres" børstehårene korrekt, og levetiden på de enkelte sæt børster forlænges. Det forlænger samtidig værktøjets levetid, da kommutatorens overflade ikke slides så meget og holder længere.

RENGØRING AF VÆRKTØJET

TRÆK STIKKET UD FØR RENGØRING AF VÆRKTØJET

Luftåbninger og kontakter skal holdes rene og fri for fremmedlegemer. Forsøg ikke at rengøre værktøjet ved at stikke spidse værktøjer ind gennem åbninger.

Værktøjet kan rengøres med trykluft. Anvend altid sikkerhedsbriller, når du rengør værktøj med trykluft.

Multiværktøjet fra Dremel behøver ikke at blive smurt.

Visse rengørings- og opløsningsmidler ødelægger plastdele. Nogle af disse er: benzín, tetrachlorulstof, kloreret rensmiddel, ammoniak og husholdningsrensninger, der indeholder ammoniak.

Rengør værktøjets "softgrip"-områder ved at aftørre dem med en fugtig klud. Hvis der er områder, der er mere beskidte, kan det være nødvendigt at aftørre dem flere gange for at få dem rene.

SERVICE OG GARANTI

Dette DREMEL produkt er dækket af garanti, som det er foreskrevet af de gældende lokale love og bestemmelser. Garantien dækker dog ikke skader som følge af normal slitage, overbelastning eller forkert håndtering af værktøjet.

I tilfælde af reklamation skal værktøjet sendes *samlet (ikke adskilt)* til forhandleren sammen med købsbeviset.

KONTAKT DREMEL

Du kan få mere information om Dremels udvalg, support og hotline på www.dremel.com.

Dremel Europe, P.O. Box 3267, 4800 DG Breda, Holland

ÖVERSÄTTNING AV ORIGINALINSTRUKTIONER



⚠ VARNING LÄS ALLA INSTRUKTIONER.

Fel som uppstår till följd av att anvisningarna nedan inte följts kan orsaka elstöt, brand och/eller allvarliga kroppsskador. Begreppet "elverktyg" i alla varningar nedan syftar på det nätslutna elverktøget.

TA VÄL VARA PÅ ANVISNINGARNA


1. HÅLL ARBETSPLATSEN

- a. Ren och välbelyst. *Oordning på arbetsplatsen och dåligt belyst arbetsområde kan leda till olyckor.*
- b. Använd inte elverktøget i explosionsfarlig omgivning med brännbara vätskor, gaser eller damm. *Elektriska verktyg avger gnistor som kan antända damm eller gas.*
- c. Håll under arbetet med elverktøget barn och obehöriga personer på betryggande avstånd. *Risken för olyckor ökar om du förlorar koncentrationen när du arbetar.*

2. ELEKTRISK SÄKERHET

- a. Elverktøjets stickpropp måste passa till vägguttaget. Stickproppen får absolut inte ändras. Använd inte adapterkontakter tillsammans med skyddsjordade elverktøj. *Oförändrade stickproppar och passande vägguttag reducerar risken för elstöt.*
- b. Undvik kroppskontakt med jordade ytor som t. ex. rör, värmeelement, spisar och kylskåp. *Det finns en större risk för elstöt om din kropp är jordad.*
- c. Skydda elverktøjet mot regn och väta. *Tränger vatten in i ett elverktøj ökar risken för elstöt.*
- d. Missbruka inte nätsladden och använd den inte för att bära eller hänga upp elverktøjet og inte heller för att dra stickproppen ur vägguttaget. Håll nätsladden på avstånd från värme, olja, skarpa kanter och rörliga maskindelar. *Skadade eller tilltrasslade ledningar ökar risken för elstöt.*
- e. När du arbetar med ett elverktøj utomhus använd endast förlängningssladdar som är godkända för utomhusbruk. *Om en lämplig förlängningssladd för utomhusbruk används minskar risken för elstöt.*

3. PERSONSÄKERHET

- a. Var uppmärksam, kontrollera vad du gör och använd elverktøjet med förnuft. Använd inte elverktøjet när du är trött eller om du är påverkad av droger, alkohol eller mediciner. *En ögonblicks uppmärksamhet när du arbetar med elverktøj kan orsaka allvarliga personskador.*
- b.  Bär alltid personlig skyddsutrustning och skyddsglasögon. *Användning av personlig skyddsutrustning som t. ex. dammfiltermask, halkfria säkerhetsskor, skyddshjälm och hörselskydd reducerar alltefter elverktøjets typ och användning risken för kroppsskada.*

GEMENSAMMA SÄKERHETSANVISNINGAR FÖR SLIPNING, SANDPAPPERSSLIPNING, ARBETEN MED STÅLBORSTE, POLERING OCH KAPSLIPNING

- c. Undvik oavsiktlig igångsättning. Kontrollera att elverktøget har kopplats från innan du ansluter stickproppen till vägguttaget. *Om du bär elverktøget med fingret på strömställaren eller ansluter påkopplat elverktøg till nätströmmen kan olycka uppstå.*
- d. Ta bort alla inställningsverktøg och skruvnycklar innan du kopplar på elverktøget. *Ett verktøg eller en nyckel i en roterande komponent kan medföra kroppsskada.*
- e. Luta eller sträck dig inte när du arbetar. *Se till att du står avstånd från rörliga delar. Lös hängande kläder, långt hår och smycken kan dras in av roterande delar.*
- f. Bär lämpliga arbetskläder. *Bär inte löst hängande kläder eller smycken. Håll håret, kläderna och handskarna på avstånd från rörliga delar. Lös hängande kläder, långt hår och smycken kan dras in av roterande delar.*
- g. Vid elverktøg med dammsugnings- och -uppsamlingsutrustning kontrollera att anordningarna är rätt monterade och att de används på korrekt sätt. *Dessa anordningar reducerar faroriskerna i samband med damm.*

4. KORREKT ANVÄNDNING OCH HANTERING AV ELVERKTØG

- a. Överbelasta inte elverktøget. Använd för aktuellt arbete avsett elverktøg. *Med ett lämpligt elverktøg kan du arbeta bättre och säkrare inom angivet effektområde.*
- b. Ett elverktøg med defekt strömställare får inte längre användas. *Ett elverktøg som inte kan kopplas in eller ur är farligt och måste repareras.*
- c. Dra stickproppen ur vägguttaget innan inställningar utförs, tillbehörsdelar byts ut eller elverktøget lagras. *Denna skyddsåtgärd förhindrar oavsiktlig start av elverktøget.*
- d. Förvara elverktøgen oåtkomliga för barn. Låt inte elverktøget användas av personer som inte är förtrogna med dess användning eller inte läst denna anvisning. *Elverktøgen är farliga om de används av oerfarna personer.*
- e. Sköt elverktøget omsorgsfullt. Kontrollera att rörliga komponenter fungerar felfritt och inte kärvar, att komponenter inte brustit eller skadats; orsaker som kan leda till att elverktøgets funktioner påverkas menligt. Låt skadade delar repareras innan elverktøget tas i bruk. *Många olyckor orsakas av dåligt skötta elverktøg.*
- f. Håll skärverktøgen skarpa och rena. *Omsorgsfullt skötta skärverktøg med skarpa eggar kommer inte så lätt i kläm och går lättare att styra.*
- g. Använd elverktøget, tillbehör, insatsverktøg osv. enligt dessa anvisningar och på sätt som föreskrivits för aktuell verktøgsmodell. Ta hänsyn till arbetsvillkoren och arbetsmomenten. *Används elverktøget på icke ändamålsenligt sätt kan farliga situationer uppstå.*

5. SERVICE

- a. Låt en kvalificerad servicetekniker utföra service på elverktøget. Endast identiska reservdelar bör användas. *Det säkerställer att elverktøget fortsätter att fungera säkert.*

- a. Elverktøget kan användas som slip-, slippappersslip-, stålborste-, polerings- och kapslipmaskin. Beakta alla säkerhetsanvisningar, instruktioner, illustrationer och data som levereras med elverktøget. *Om nedanstående anvisningar ignoreras finns risk för att elstöt, brand och/eller allvarliga personskador uppstår.*
- b. Använd inte tillbehör som tillverkaren inte uttryckligen godkänt och rekommenderat för detta elverktøg. *Även om tillbehör kan fästas på elverktøget finns det ingen garanti för en säker användning.*
- c. Insatsverktøgets tillåtna varvtal måste åtminstone motsvara elverktøgets angivna högsta varvtal. *Tillbehör med en högre rotationshastighet kan förstöras.*
- d. Insatsverktøgets yttre diameter och tjocklek måste motsvara elverktøgets dimensioner. *Feldimensionerade insatsverktøg kan inte på betryggande sätt avskäras och kontrolleras.*
- e. Slipskivor, flänsar, sliprondeller och annat tillbehör måste passa exakt på elverktøgets slipspindel. *Insatsverktøg som inte exakt passar till elverktøgets slipspindel roterar ojämnt, vibrerar kraftigt och kan leda till att kontrollen över verktøget går förlorat.*
- f. Använd aldrig skadade insatsverktøg. Kontrollera insatsverktøgen före varje användning, t. ex. slipskivor avseende splitterskador och sprickor, sliprondeller avseende sprickor, repor eller kraftigt nedslitning, stålborstar avseende lösa eller brustna trådar. Om elverktøget eller insatsverktøget skulle falla i golvet, kontrollera om skada uppstått eller montera ett oskadat insatsverktøg. Du och andra personer i närheten ska efter kontroll och montering av insatsverktøget stå utanför insatsverktøgets rotationsradie; låt sedan elverktøget rotera en minut med högsta varvtal. *Skadade insatsverktøg går i de flesta fall sönder vid denna provkörning.*
- g. Använd personlig skyddsutrustning. Använd alltefter avsett arbete ansiktsskärm, ögonskydd eller skyddsglasögon. Om så behövs, använd dammfiltermask, hörselskydd, skyddshandskar eller skyddsförkläde som skyddar mot utslungade slip- och materialpartiklar. *Ögonen ska skyddas mot utslungade främmande partiklar som kan uppstå under arbetet. Damm- och andningsskydd måste kunna filtrera bort det damm som eventuellt uppstår under arbetet. Risk finns för hörselskada under en längre tids användning.*
- h. Se till att obehöriga personer hålls på betryggande avstånd från arbetsområdet. Alla som rör sig inom arbetsområdet måste använda personlig skyddsutrustning. *Brottstycken från arbetsstycket eller insatsverktøgen kan slungas ut och orsaka personskada även utanför arbetsområdet.*
- i. Håll fast elverktøget endast vid de isolerade handtagen när arbeten utförs på ställen där insatsverktøget kan skada dolda elledningar eller egen nätsladd. *Om kapningstillbehöret kommer i kontakt med strömförande ledningar kan verktøgets metalldelar också bli strömförande, vilket är livsfarligt.*

- j. Håll nätssladden på avstånd från roterande *insatsverktyg*. *Om du förlorar kontrollen över elverktyget kan nätssladden kapas eller dras in varvid risk finns för att din hand eller arm dras mot det roterande insatsverktyget.*
- k. Lägg aldrig ner elverktyget förrän insatsverktyget har stannat helt. *Det roterande insatsverktyget kan komma i beröring med underlaget varvid risk finns att du förlorar kontrollen över elverktyget.*
- l. Elverktyget får inte rotera när det bärs. *Kläder kan vid tillfällig kontakt med det roterande insatsverktyget dras in varvid insatsverktyget dras mot din kropp.*
- m. Rengör regelbundet elverktygets ventilationsöppningar. *Motorfläkten drar in damm i huset och en kraftig anhopning av metalldamm kan orsaka farliga elströmmar.*
- n. Använd inte elverktyget i närheten av brännbara material. *Risk finns för att gnistor antänder materialet.*
- o. Använd inte insatsverktyg som behöver flytande kylmedel. *Vatten eller andra kylvätskor kan medföra elstötar.*
- p. **Asbesthaltigt material får inte bearbetas** (asbest anses vara cancerframkallande).
- q. **Vidta skyddsåtgärder om risk finns för att hälsovådligt, brännbart eller explosivt damm uppstår under arbetet** (vissa damm klassifi ceras som cancerframkallande ämnen); använd en dammfli termask och om möjligt damm-/spånutsugning.

VARNING FÖR BAKSLAG

- Ett bakslag är en plötslig reaktion hos insatsverktyget när t. ex. slipskivan, slipprondellen, stålborsten hakar upp sig eller blockeras. Detta leder till abrupt uppbromsning av det roterande insatsverktyget. Härvid accelererar ett okontrollerat elverktyg mot insatsverktygets rotationsriktning vid inklämningsstället. Om t. ex. en slipskiva hakar upp sig eller blockeras i arbetsstycket kan slipskivans kant i arbetsstycket klämmas fast varvid slipskivan bryts sönder eller orsakar bakslag. Slipskivan rör sig nu mot eller bort från användaren beroende på skivans rotationsriktning vid inklämningsstället. Härvid kan slipskivan även brytas sönder. Bakslag uppstår till följd av missbruk eller felaktig hantering av elverktyget. Detta kan undvikas genom skyddsåtgärder som beskrivs nedan.
- a. Håll stadigt i elverktyget samt kroppen och armarna i ett läge som är lämpligt för att motstå bakslagskrafter. Använd alltid stödhandtaget för bästa möjliga kontroll av bakslagskrafter och reaktionsmoment vid start. *Användaren kan genom lämpliga försiktighetsåtgärder bättre behärska bakslags- och reaktionskrafterna.*
 - b. Håll alltid handen på betryggande avstånd från det roterande insatsverktyget. *Insatsverktyget kan vid ett bakslag gå mot din hand.*
 - c. Undvik att hålla kroppen inom det område elverktyget rör sig vid ett bakslag. *Bakslaget kommer att driva elverktyget i motsatt riktning till slipskivans rörelse vid inklämningsstället.*
 - d. Var särskilt försiktig vid bearbetning av hörn, skarpa kanter osv. Håll emot så att insatsverktyget inte studsar ut från arbetsstycket eller kommer i kläm. *På hörn, skarpa kanter eller vid studsning tenderar det roterande insatsverktyget att komma i kläm. Detta kan leda till att kontrollen förloras eller att bakslag uppstår.*
 - e. Använd aldrig kedje- eller tandade sågklingor. *Dessa insatsverktyg orsakar ofta ett bakslag eller förlust av kontrollen över elverktyget.*

SPECIELLA VARNINGAR FÖR SLIPNING OCH KAPSLIPNING

- a. Använd endast slipkroppar som är godkända för aktuellt elverktyg och de sprängskydd som är avsedda för dessa slipkroppar. *Slipkroppar som inte är avsedda för aktuellt elverktyg kan inte på betryggande sätt skyddas och är därför farliga.*
- b. Slipkroppar får användas endast för rekommenderade arbeten. Slipa t.ex. aldrig med kapskivans sidoyta. *Kapskivor är avsedda för materialavverkning med skivans kant. Om tryck från sidan utövas mot slipkroppen kan den spricka.*
- c. För vald slipskiva ska alltid oskadade spänntflansar i korrekt storlek och form användas. *Lämpliga flansar stöder slipskivan och reducerar risken för slipskivsbrott. Flansar för kapskivor och andra slipskivor kan ha olika utseende och form.*
- d. Använd inte nedslitna slipskivor från större elverktyg. *Slipskivor för större elverktyg är inte konstruerade för de mindre elverktygens högre varvtal och kan därför spricka.*

ANDRA SPECIELLA SÄKERHETSANVISNINGAR FÖR KAPSLIPNING

- a. Se till att kapskivan inte kommer i kläm och att den inte utsätts för högt mottryck. Försök inte skära för djupt. *Om kapskivan överbelastats ökar dess påfrestning och risk finns för att den snedvrids eller blockerar som sedan kan resultera i bakslag eller slipkroppsbrott.*
- b. Undvik området framför och bakom den roterande kapskivan. *Om du för kapskivan i arbetsstycket bort från kroppen kan i händelse av ett bakslag elverktyget med roterande skiva slungas mot din kropp.*
- c. Om kapskivan kommer i kläm eller arbetet avbryts, koppla från elverktyget och håll det stilla tills skivan stannat fullständigt. Försök aldrig dra ut en roterande kapskiva ur skärspåret då detta kan leda till bakslag. *Lokalisera och åtgärda orsaken för inklämning.*
- d. Koppla inte åter på elverktyget om det sitter i arbetsstycket. Låt kapskivan uppnå fullt varvtal innan den försiktigt förs in i skärspåret för fortsatt kapning. *I annat fall kan skivan haka upp sig, hoppa ur arbetsstycket eller orsaka bakslag.*
- e. För att reducera risken för ett bakslag till följd av inklämd kapskiva ska skivor och andra stora arbetsstycken stödas. *Stora arbetsstycken kan råka böjas till följd av hög egenvikt. Arbetsstycket måste därför stödas på båda sidorna både i närheten av skärspåret och vid kanten.*
- f. Var speciellt försiktig vid "fickkapning" i dolda områden, t. ex. i en färdig vägg. *Där risk finns att kapskivan kommer i kontakt med vattenledningar, elledningar eller andra föremål som kan orsaka bakslag.*

SPECIELLA SÄKERHETSANVISNINGAR FÖR SANDPAPPERSSLIPNING

- a. Använd inte för stora slippapper, se tillverkarens uppgifter om slippapperets storlek. *Slippapper som står ut över sliprondellen kan leda till personskada, blockera, rivas sönder eller också orsaka bakslag.*

SPECIELLA SÄKERHETSANVISNINGAR FÖR POLERING

- a. Se till att inga lösa delar finns på polerhättan, t. ex. fastspänningsband. Kläm in eller kapa fastspänningsbanden. *roterande fastspänningsband kan gripa tag i dina fingrar eller dras in i arbetsstycket.*

SPECIELLA SÄKERHETSANVISNINGAR FÖR ARBETEN MED STÅLBORSTAR

- a. Observera att trådborstar även under normal användning förlorar trådbitar. Överbelasta inte stålborsten med för högt anliggningstryck. *Utslungade trådbitar kan lätt tränga in genom kläder och/eller i huden.*
- b. När sprängskydd används bör man se till att sprängskyddet och trådborsten inte berör varandra. *Tallriks- och toppborstarnas diameter kan till följd av anliggningstryck och centrifugalkrafter bli större.*

MILJÖ

AVFALLSHANtering

Elverktyg, tillbehör och förpackning ska omhändertas på miljövänligt sätt för återvinning.

ENDAST FÖR EU-LÄNDER



Släng inte elverktyg i hushållsavfallet! Enligt europeiska direktivet 2002/96/EG för kasserade elektriska och elektroniska apparater och dess modifiering till nationell rätt måste obrukbara elverktyg omhändertas separat och på miljövänligt sätt lämnas in för återvinning.

SPECIFIKATIONER

ALLMÄNNA SPECIFIKATIONER

Spänning	230-240 V, 50-60 Hz
Högsta strömstyrka	0,5 A
Varvtal obelastad	n_n 33.000/min
Spännhylsekapacitet	0,8 mm, 1,6 mm, 2,4 mm, 3,2 mm

FÖRLÄNGNINGSSLADDAR

Använd helt utrullade och säkra förlängningssladdar med en kapacitet på 5 A.

MOTORSPECIFIKATIONER

Multiverktyget har en motor med varierbar hastighet. Den är anpassad för 230-240 V, 50-60 Hz. Kontrollera alltid att strömkällans spänning motsvarar de värden som anges på verktygets etikett (verktyg avsedda för 230 V eller 240 V kan också anslutas till en strömkälla på 220 V).

MONTERING

DRÅ ALLTID UR MULTIVERKTYGETS KONTAKT INNAN DU BYTER INSATSVERTYGG, BYTER SPÄNNHYLSOR ELLER UTFÖR SERVICE.

ALLMÄNT

Dremel-multiverktyget är ett precisionsverktyg av hög kvalitet, som kan användas för detaljerade och komplicerade arbetsuppgifter. Tack vare Dremels stora sortiment av insatsverktyg och tillsatser kan du utföra en mängd uppgifter, t.ex. sandpappersslipning, snide, gravyr, fräsning, kapning, rengöring och polering. BILD 2

BILD 1

- A. Nosmutter
- B. Spännhylsa
- C. Spännhylskåpa
- D. Tillsatsfäste
- E. Skaftlåsknapp
- F. På-/avstängningsknapp och hastighetsratt
- G. Borstlucka (en på varje sida)
- H. Ventilationsöppningar
- I. Hängare
- J. Chucknyckel
- K. Nätkabel

SPÄNNHYLSOR

Multiverktygets Dremel-tillbehör har olika stora fästen. Det finns spännhylsor i fyra olika storlekar för att passa olika stora fästen. På spännhylsornas baksida finns ringar som anger dess storlek.

BILD 3

- L. 3,2 mm spännhylsa utan ring (480)
- M. 2,4 mm spännhylsa med tre ringar (481)
- N. 1,6 mm spännhylsa med två ringar (482)
- O. 0,8 mm spännhylsa med en ring (483)

OBS! I en del multiverktygssatser ingår inte alla fyra spännhylsestorlekarna. Spännhylsor kan köpas separat.

Använd alltid den spännhylsa som motsvarar storleken på fästet på det tillbehör du tänker använda. Tvinga aldrig in ett fäste med större diameter i en mindre spännhylsa.

BYTA SPÄNNHYLSOR

BILD 4

- P. Skaftlåsknapp
- Q. Chucknyckel
- R. Dra åt
- S. Lossa
- T. Nosmutter

1. Tryck på skaftlåsknappen, håll ner och vrid på skaftet för hand tills muttern fäster i skaftet. Använd inte skaftlåsknappen när multiverktyget är igång.
2. Skruva loss och ta bort nosmuttern när skaftlåsknappen är nedtryckt. Använd chucknyckeln vid behov.
3. Dra bort spännhylsan från skaftet.

- Montera en spännhysla av korrekt storlek i skaffet och skruva på nosmuttern med handkraft. Dra inte åt muttern helt när inget borr eller insatsverktyg är monterat.

BYTA INSATSVERTYG

BILD 5/6

U. Skafftålsknapp

- Tryck på skafftålsknappen och vrid på skaffet för hand tills det fäster i skafftålsätet. *Använd inte skafftålsknappen när multiverktyget är igång.*
- Lossa nosmuttern utan att ta bort den när skafftålsknappen är nedtryckt. Använd chucknyckeln vid behov.
- Sätt in borret eller insatsverktygets fäste helt i spännhyslan.
- Håll skafftålsknappen intryckt och dra åt nosmuttern för hand tills spännhyslan griper tag i borret eller tillbehörsfästet. **OBS!** Läs anvisningarna som medföljde Dremel-tillbehöret. Där finns mer information om hur det används.

Använd endast tillbehör som godkänts av Dremel.

KOMMA IGÅNG

ANVÄNDNING

Första steget när du ska använda multiverktyget är att få en "känsla" för hur det fungerar. Håll den i handen och känn dess vikt och balans. Känn på det avsmalnande höljet. Formen gör att du kan hålla i verktyget på samma sätt som en penna. Det unika, mjuka greppet på nosen ökar komforten och kontrollen.

Håll alltid verktyget riktat bort från ansiktet. Tillhör kan skadas under transport och flyga av när de börjar rotera snabbt.

Håll inte verktyget så att ventilationsöppningarna täcks över när du använder det. Då kan motorn bli överhettad.

VIKTIGT! Öva först på spillmaterial, så att du lär dig hur verktyget arbetar. Tänk på att multiverktyget fungerar som bäst om du låter hastigheten, tillsammans med rätt Dremel-tillbehör och tillsats, göra arbetet åt dig. Undvik om möjligt att lägga tryck på verktyget. Sänk i stället ner det roterande insatsverktyget försiktigt mot arbetsytan, och låt det vidröra det ställe där du vill börja. Koncentrera dig på att föra verktyget över arbetsstycket med endast ett lätt tryck med handen. Låt tillbehöret utföra arbetet.

Det är oftast bättre att föra verktyget flera gånger över arbetsytan i stället för att göra hela jobbet i ett svep. Ett försiktigt tryck ger den bästa kontrollen och minskar risken för fel.

För att få bästa kontroll vid små arbeten håller du multiverktyget mellan tummen och pekfingeret som en penna. BILD 7

"Golfgreppet" används för tyngre arbeten som slipning eller kapning. BILD 8

DRIFTHASTIGHET

Det här multiverktyget är ett höghastighetsverktyg. Hastigheterna varierar mellan 10.000 och 33.000 varv/minut. Om du anpassar varvtalet till arbetet får du bättre slutresultat. För bästa resultat när du arbetar med olika material bör du anpassa hastigheten till arbetsuppgiften. Öva på en bit spillmaterial för att komma fram till rätt varvtal.

OBS! Varvtalet påverkas av spänningsförändringar. Minskad inkommande spänning sänker verktygets varvtal, särskilt vid lägsta inställning. Justera hastigheten om verktyget saktar ner. Verktyget startar inte alltid på lägsta varvtal där vägguttagets spänning understiger 220 V. Öka hastigheten i början.

Hastighetsreglaget på multiverktyget 300 Series har markeringar för olika hastigheter. Med hjälp av tabellen med varvtalsinställningar på sidan 4-6 kan du ta reda på rätt varvtal för det material du arbetar i och det insatsverktyg du använder.

A) För kallmur. Använd 33.000 varv/minut för bästa resultat.

B) För väggar och golv. Använd inställning 6-8.

*) Hastighet för grunda snitt. Varning, brännrisk i djupa spår.

□ Beroende på snittvinkel mot ådring.

De flesta arbeten kan utföras med högsta varvtal på verktyget.

Vissa material (en del plaster och metaller) kan emellertid skadas av den värme som genereras vid höga hastigheter. Där bör i stället relativt låga varvtal användas. Låga varvtal (15.000 varv/minut eller lägre) passar oftast bäst vid polering med poleringstillbehör av filt. All borstning kräver lägre varvtal för att undvika att trådarna lossnar ur hållaren. Låt verktyget göra arbetet när du använder låga varvtal. Högre varvtal passar bättre för hårda träslag, metall och glas, och vid borrar, skärning, kapning, fräsning, tillformning och låghalsfräsning eller falsning i trä. Inställningar för ungefärliga varvtal är:

Brytare för varvtalsintervall

1-2	10.000-14.000 varv/min
3-4	15.000-19.000 varv/min
5-6	20.000-24.000 varv/min
7-8	25.000-29.000 varv/min
9-10	30.000-33.000 varv/min

Några riktlinjer vad gäller varvtal:

- Plast och andra material med låg smältpunkt bör bearbetas på låga varvtal.
- Polering, putsning och rengöring med stålborste måste göras med varvtal lägre än 15.000 varv/min, eftersom tillbehöret och materialet annars kan skadas.
- Trä ska bearbetas med högt varvtal.
- Järn och stål ska bearbetas med högt varvtal.
- Om en höghastighetsfräs börjar vibrera är det ofta ett tecken på att den körs för långsamt.
- Aluminium, tenn samt koppar-, bly- och zinklegeringar kan bearbetas med olika varvtal beroende på vilken typ av skärning som ska göras. Använd paraffin eller annat lämpligt smörjmedel (ej vatten) på tillbehöret för att undvika att materialet fastnar på skäreppen.

OBS! Det är ingen lösning att öka trycket på verktyget om det inte fungerar som det ska. Prova med ett annat insatsverktyg eller varvtal för att uppnå önskat resultat.

UNDERHÅLL

Om någon obehörig utför det förebyggande underhållet kan det leda till att inre ledningar och komponenter kommer bort, vilket är en stor säkerhetsrisk. Vi rekommenderar att du låter en Dremelrepresentant utföra all service på verktyget. För att undvika

skador på grund av elstøtar eller start av misstag bør du alltid dra ut kontakten ur vegguttaget innan service eller rengjøring.

KOLBORSTAR

Borstarna i verktøyet er utformet for mange timers sikkert bruk. Forbered borstarna for anvendning genom att köra verktøyet 5 minuter på full hastighet utan belastning. Då "sätter sig" borstarna, vilket ökar verktøyetts livslängd. För att upprätthålla verktøyetts effektivitet bör du undersöka att borstarna inte är slitna efter 40-50 timmar.

Om du använder verktøyet med slitna borstar kan motorn skadas permanent. Använd endast originalborstar från Dremel. Undersök multiverktøyetts borstar efter 40-50 timmars användning. Om multiverktøyet går ojämnt, förlorar kraft eller låter onormalt, bör du undersöka om borstarna är slitna och eventuellt byta dem. Kontrollera/byt multiverktøyetts borstar så här:

NO

1. Dra ut nätkabeln och placera verktøyet på en ren arbetsyta. Ta bort borstluckorna. Använd chucknyckeln som skruvmejsel. BILD 9
2. Ta ut borstarna ur verktøyet genom att dra i de fjädrar som de är fästade vid. Om borsten är kortare än 3 mm och den yta som ligger mot kommutatorn är grov eller gropig, bör du byta kolborstarna. Kontrollera båda borstarna. BILD 10
3. Om den ena borsten är slitna bör du byta båda borstarna för bästa prestanda. Ta bort fjädern från borsten, släng den gamla borsten och placera fjädern på en ny borste.
4. Sätt tillbaka kolborsten och fjädern i verktøyet. Borsten får bara plats på ett sätt.
5. Sätt tillbaka borstluckorna genom att vrida dem medurs. Dra åt dem med chucknyckeln, men DRA INTE FÖR HÅRT! Köra verktøyet utan belastning när du har bytt borstar. Placera det på en ren arbetsyta och låt det köra på full hastighet i 5 minuter innan du belastar (eller använder) verktøyet. Då "sätter sig" borstarna korrekt, vilket förlänger deras livslängd flera timmar. Det förlänger också verktøyetts livslängd, eftersom kommutatorns yta håller bättre.

RENGÖRA VERKTØYET

DRA UT NÄTKABELN FÖRE RENGÖRING

Ventilationsöppningar och strömbrytare måste hållas rena och fria från skräp. Försök aldrig peta i öppningarna med ett vasst föremål.

Verktøyet kan rengöras med tryckluft. Använd alltid skyddsglasögon när du gör rent med tryckluft.

Dremel-multiverktøyet behöver inte smörjas.

Vissa rengöringsmedel och lösningsmedel kan skada plastdelarna.

Det kan handla om: bensin, koltetraklorid, klorerade rengöringslösningar, ammoniak och tvättmedel som innehåller ammoniak.

Rengör greppets mjuka områden med en fuktig trasa. Områden med hårdare nedsmutsning kan behöva torkas flera gånger för att bli rena.

SERVICE OCH GARANTI

Denna DREMEL-produkt omfattas av garanti enligt lagstadgade/landsspecifika regler. Skador orsakade av normalt slitage, överbelastning eller felaktig användning täcks inte av garantin.

Skicka vid reklamation det odemonterade verktøyet samt inköpsbevis till återförsäljaren.

KONTAKTA DREMEL

Mer information om Dremels sortiment, support och hotline finns på www.dremel.com

Dremel Europe, P.O. Box 3267, 4800 DG Breda, Nederländerna

OVERSETTELSE AV ORIGINALINSTRUKSJONENE



ADVARSEL LES GJENNOM ALLE ANVISNINGENE. Feil ved

overholdelsen av nedenstående anvisninger kan medføre elektriske støt, brann og/eller alvorlige skader. Det nedenstående anvendte uttrykket "elektroverktøy" gjelder for strømledende elektroverktøy (med ledning).

TA GODT VARE PÅ DISSE INSTRUKSJONENE

1. ARBEIDSOMRÅDE

- a. Hold arbeidsområdet rent og ryddig. *Rotete arbeidsområder og arbeidsområder uten lys kan føre til ulykker.*
- b. Ikke arbeid med maskinen i eksplosjonsutsatte omgivelser - der det befinner seg brennbare væsker, gass eller støv. *Elektroverktøy lager gnister som kan antenne støv eller damper.*
- c. Hold barn og andre personer unna når elektroverktøyet brukes. *Hvis du blir forstyrret under arbeidet, kan du miste kontrollen over maskinen.*

2. ELEKTRISK SIKKERHET

- a. Støpselet til maskinen må passe inn i stikkkontakten. Støpselet må ikke forandres på noen som helst måte. Ikke bruk adapterstøpsler sammen med jordede maskiner. *Bruk av støpsler som ikke er forandret på og passende stikkontakter reduserer risikoen for elektriske støt.*
- b. Unngå kroppskontakt med jordede overflater slik som rør, ovner, komfyrer og kjøleskap. *Det er større fare ved elektriske støt hvis kroppen din er jordat.*
- c. Hold maskinen unna regn eller fuktighet. *Dersom det kommer vann i et elektroverktøy, øker risikoen for elektriske støt.*
- d. Ikke bruk ledningen til andre formål, f. eks. til å bære maskinen, henge den opp eller trekke den ut av stikkkontakten. Hold ledningen unna varme, olje, skarpe

- kanter eller maskindeler som beveger seg. *Med skadede eller opphopede ledninger øker risikoen for elektriske støt.*
- e. Når du arbeider utendørs med et elektroverktøy, må du kun bruke en skjøteledning som er godkjent til utendørs bruk. *Når du bruker en skjøteledning som er egnet for utendørs bruk, reduseres risikoen for elektriske støt.*

3. PERSONSIKERHET

- a. Vær oppmerksom, pass på hva du gjør, gå fornuftig frem når du arbeider med et elektroverktøy. Ikke bruk maskinen når du er trett eller er påvirket av narkotika, alkohol eller medikamenter. *Et øyeblikks uoppmerksomhet ved bruk av maskinen kan føre til alvorlige skader.*
- b.  Bruk personlig verneutstyr og husk alltid å bruke vernebriller. Bruk alltid vernebriller. *Bruk av personlig sikkerhetsutstyr som støvmaske, sklifaste arbeidssko, hjelm eller hørselvern - avhengig av type og bruk av elektroverktøyet - reduserer risikoen for skader.*
- c. Unngå å starte verktøyet ved en feiltagelse. Forviss deg om at elektroverktøyet er slått av før du setter støpselet inn i stikkkontakten. *Hvis du holder fingeren på bryteren når du bærer maskinen eller kobler maskinen til strømmen i innkoblet tilstand, kan dette føre til uhell.*
- d. Fjern innstillingsverktøy eller skrunøkler før du slår på elektroverktøyet. *Et verktøy eller en nøkkel som befinner seg i en roterende maskindel, kan føre til skader.*
- e. Ikke overvurder deg selv. Sørg for å stå stødig og i balanse. *Sørg for at du har godt foffeste og god balanse hele tiden. Dermed kan du kontrollere maskinen bedre i uventede situasjoner.*
- f. Bruk alltid egnede klær. *Ikke bruk vide klær eller smykker. Hold hår, tøy og hansker unna deler som beveger seg. Løstsittende tøy, smykker eller langt hår kan komme inn i deler som beveger seg.*
- g. Hvis det kan monteres støvavsug- og oppsamlingsinnretninger, må du forvise deg om at disse er tilkoblet og brukes på korrekt måte. *Bruk av disse innretningene reduserer farer på grunn av støv.*

4. OMHYGGELIG BRUK OG HÅNDTERING AV ELEKTROVERKTØY

- a. Ikke overbelast verktøyet. Bruk et elektroverktøy som er beregnet til den type arbeid du vil utføre. *Med et passende elektroverktøy arbeider du bedre og sikrere i det angitte effektområdet.*
- b. Ikke bruk elektroverktøy med defekt på-/avbryter. *Et elektroverktøy som ikke lenger kan slås av eller på, er farlig og må repareres.*
- c. Trekk støpselet ut av stikkkontakten før du utfører innstillinger på maskinen, skifter tilbehørsdeler eller legger maskinen bort. *Disse tiltakene forhindrer en utilsiktet startung av maskinen.*
- d. Elektroverktøy som ikke er i bruk må oppbevares utilgjengelig for barn. Ikke la maskinen brukes av personer som ikke er fortrolig med dette eller ikke har lest disse anvisningene. *Elektroverktøy er farlige når de brukes av uerfarne personer.*

- e. Vær nøye med vedlikeholdet av maskinen. Kontroller om bevegelige maskindeler fungerer feilfritt og ikke klemmes fast, og om deler er brukt eller skadet, slik at dette innvirker på maskinens funksjon. La disse skadede delene repareres før maskinen brukes. *Dårlig vedlikeholdte elektroverktøy er årsaken til mange uhell.*
- f. Hold skjæreverktøyene skarpe og rene. *Godt stelte skjæreverktøy med skarpe skjær setter seg ikke så ofte fast og er lettere å føre.*
- g. Bruk elektroverktøy, tilbehør, verktøy osv. i henhold til disse anvisningene og slik det er foreskrevet for denne spesielle maskintypen. Ta hensyn til arbeidsforholdene og arbeidet som skal utføres. *Bruk av elektroverktøy til andre formål enn det som er angitt, kan føre til farlige situasjoner.*

5. SERVICE

- a. Maskinen din skal alltid kun repareres av kvalifisert fagpersonale og kun med originale reservedeler. *Slik opprettholdes maskinens sikkerhet.*

FOR DIN SIKKERHET

FELLES ADVARSLER OM SLIPING, SANDPAPIRSLIPING, ARBEID MED STÅLBØRSTER, POLERING OG KAPPING

- a. Dette elektroverktøyet skal brukes som sliper, sandpapisliper, stålbørste, polermaskin og kuttessliper. Følg alle advarssler, anvisninger, bilder og data som du får levert sammen med elektroverktøyet. *Hvis du ikke følger følgende anvisninger, kan det oppstå elektriske støt, ild og/eller store skader.*
- b. Ikke bruk tilbehør som ikke er spesielt beregnet og anbefalt av produsenten for dette elektroverktøyet. *Selv om du kan feste tilbehøret på elektroverktøyet ditt, garanterer dette ingen sikker bruk.*
- c. Det godkjente turtallet til innsatsverktøyet må være minst like høyt som det maksimale turtallet som er angitt på elektroverktøyet. *Tilbehør som dreies hurtigere enn godkjent, kan ødelegges.*
- d. Utvendig diameter og tykkelse på innsatsverktøyet må tilsvare målene for elektroverktøyet. *Gale innsatsverktøy kan ikke sikres eller kontrolleres tilstrekkelig.*
- e. Slipeskiver, flensker, slipetallerkener eller annet tilbehør må passe nøyaktig på slipespindelen til elektroverktøyet. *Innsatsverktøy som ikke passer nøyaktig på slipespindelen til elektroverktøyet, roterer uregelmessig, vibrerer svært sterkt og kan føre til at du mister kontrollen.*
- f. Ikke bruk skadede innsatsverktøy. Sjekk før hver bruk om innsatsverktøyet slik som slipeskiver er splintret eller revnet, om slipetallerkener er revnet eller svært slitt, om stålbørster har løse eller har brukkede tråder. Hvis elektroverktøyet eller innsatsverktøyet faller ned, må du kontrollere om det er skadet eller bruk er ikke skadet innsatsverktøyet. Når du har kontrollert og satt inn innsatsverktøyet, må du holde personer som oppholder seg i nærheten unna det roterende innsatsverktøyet og la elektroverktøyet gå i ett minutt med maksimalt turtall. *Som regel brykker skadede innsatsverktøy i løpet av denne testtiden.*

- g. Bruk personlig beskyttelsesutstyr. Avhengig av typen bruk må du bruke visir, øyebeskyttelse eller vernebriller. Om nødvendig må du bruke støvmaske, hørselvern, vernehansker eller spesialforkle som holder små slipe- og materialpartikler unna kroppen din. *Øynene bør beskyttes mot fremmedlegemer som kan fly rundt ved visse typer bruk. Støv- eller pustevernmasker må filtrere den typen støv som oppstår ved denne bruken. Hvis du er utsatt for sterk støv over lengre tid, kan du miste hørselen.*
- h. Pass på at andre personer holder tilstrekkelig avstand til arbeidsområdet ditt. Alle som går inn i arbeidsområdet må bruke personlig verneutstyr. *Brukne deler til verktøyet eller brukne innsatsverktøy kan slynges ut og derfor også forårsake skader utenfor det direkte arbeidsområdet.*
- i. Ta kun tak i elektroverktøyet på de isolerte gripeflatene, hvis du utfører arbeid der innsatsverktøyet kan treffe på skjulte strømledninger eller den egne strømledningen. *Kontakt med en spenningsledende ledning setter også elektroverktøets metalldele under spenning og fører til elektriske støt.*
- j. Hold strømledningen unna roterende innsatsverktøy. *Hvis du mister kontrollen over elektroverktøyet kan strømledningen kappes eller komme inn i verktøyet, og hånden eller armen din kan komme inn i det roterende innsatsverktøyet.*
- k. Legg aldri elektroverktøyet ned før innsatsverktøyet er stanset helt. *Det roterende innsatsverktøyet kan komme i kontakt med overflaten der maskinen legges ned, slik at du kan miste kontrollen over elektroverktøyet.*
- l. La aldri elektroverktøyet være innkoblet mens du bærer det. *Tøyet ditt kan komme inn i det roterende innsatsverktøyet hvis det tilfeldigvis kommer i kontakt med verktøyet, og innsatsverktøyet kan da bore seg inn i kroppen din.*
- m. Rengjør ventilasjonsåpningene til elektroverktøyet med jevne mellomrom. *Motorviften trekker støv inn i huset, og en stor oppsamling av metallstøv kan medføre elektrisk fare.*
- n. Ikke bruk elektroverktøyet i nærheten av brennbare materialer. *Gnistre kan antenne disse materialene.*
- o. Bruk ikke innsatsverktøy som krever flytende kjølemidler. *Bruk av vann eller andre flytende kjølemidler kan føre til elektriske støt.*
- p. **Bearbeid ikke asbestholdig materiale** (asbest er kreftfremkaldende).
- q. **Træf de nødvendige foranstaltninger, hvis sunnhetsskadelig, brannbart eller eksponert støv kan oppstå under arbeidet** (noget støv kan være kreftfremkaldende); bruk en støvbeskyttelsesmaske samt en støv-/spåneoppsugning, hvis en sådan kan tilsluttes.

TILBAKESLAG OG TILSVARENDE ADVARSLER

Tilbakeslag er innsatsverktøets plutselige reaksjon etter at det har hengt seg opp eller blokkerer. Dette kan gjelde slipeskiven, slipetallerkenen, stålbørsten osv.. Opphenging eller blokkering fører til at det roterende innsatsverktøyet stanser helt plutselig. Slik akselerer et ukontrollert elektroverktøy i motsatt retning av innsatsverktøets dreieretning på blokkeringsstedet. Hvis f. eks. en slipeskive henger seg opp eller blokkerer i arbeidsstykkeket, kan kanten på slipeskiven som dykker inn i arbeidsstykkeket, henge seg opp og slik brekker slipeskiven eller forårsaker et tilbakeslag. Slipeskiven beveger seg da mot eller bort fra brukeren, avhengig av skivens dreieretning på blokkeringsstedet.

Slipeskiver kan da også brekke. Et tilbakeslag er resultat av en gal eller feilaktig bruk av elektroverktøyet. Det kan unngås ved å følge egnede sikkerhetstiltak som beskrevet nedenstående.

- Hold elektroverktøyet godt fast og plasser kroppen og armene dine i en stilling som kan ta imot tilbakeslagskrefter. Bruk alltid ekstrahåndtaket - hvis dette finnes - for å ha størst mulig kontroll over tilbakeslagskrefter eller reaksjonsmomenter ved oppkjøring. *Brukeren kan beherske tilbakeslags- og reaksjonsmomenter med egnede tiltak.*
- Hold aldri hånden i nærheten av det roterende innsatsverktøyet. *Innsatsverktøyet kan bevege seg over hånden din ved tilbakeslag.*
- Unngå at kroppen din befinner seg i området der elektroverktøyet vil bevege seg ved et tilbakeslag. *Tilbakeslaget driver elektroverktøyet i motsatt retning av slipeskivens dreieretning på blokkeringsstedet.*
- Vær spesielt forsiktig i hjørner, på skarpe kanter osv. Du må forhindre at innsatsverktøyet avpelles fra arbeidsstykket eller klemmes fast. *Det roterende innsatsverktøyet har en tendens til å klemmes fast i hjørner, på skarpe kanter eller hvis det avpelles. Dette forårsaker kontrolltap eller tilbakeslag.*
- Bruk ikke kjedesagblad eller tannet sagblad. *Slike innsatsverktøy fører ofte til tilbakeslag eller til at man mister kontrollen over elektroverktøyet.*

SPESEILLE ADVARSLER OM SLIPING OG KAPPING

- Bruk kun slipeskiver som er godkjent for dette elektroverktøyet og et verneedeksel som er konstruert for denne typen slipeskive. *Slipeskiver som ikke ble konstruert for dette elektroverktøyet, kan ikke beskyttes tilsvarende og er ikke sikre.*
- Slipeskiver må kun brukes til anbefalt type bruk, f. eks.: Ikke slip med sideflaten til en kappeskive. *Kappeskiver er beregnet til materialfjerning med kanten på skiven. Innvirkning av krefter fra siden kan føre til at slipeskivene brekker.*
- Bruk alltid uskadete spennflenser i riktig størrelse og form for den slipeskiven du har valgt. *Egnede flenser støtter slipeskiven og reduserer slik faren for at slipeskiven brekker. Flenser for kappeskiver kan være annerledes enn flenser for andre slipeskiver.*
- Ikke bruk slitte slipeskiver fra større elektroverktøy. *Slipeskiver for større elektroverktøy er ikke beregnet til de høyere turtall på mindre elektroverktøy og kan brekke.*

YTTERLIGERE SPESEILLE ADVARSLER FOR KAPPELIPING

- Unngå blokkering av kappeskiven eller for sterkt presstrykk. Ikke utfør for dype snitt. *En overbelastning av kappeskiven øker slitasjen og tendensen til fastkiling eller blokkering og dermed også muligheten til tilbakeslag eller brudd på slipeskiven.*
- Unngå området foran og bak den roterende kappeskiven. *Hvis kappeskiven beveger seg bort fra deg i arbeidsstykket, kan elektroverktøyet med den roterende skiven ved tilbakeslag slynges direkte mot kroppen din.*
- Hvis kappeskiven blokkerer eller du avbryter arbeidet, slår du av elektroverktøyet og holder det rolig til skiven er stanset helt. Forsøk aldri å trekke den roterende kappeskiven ut av

snittet, ellers kan det oppstå et tilbakeslag. *Finn og fjern årsaken til blokkeringen.*

- d. Ikke start elektroverktøyet igjen så lenge det befinner seg i arbeidsstykket. La kappeskiven oppnå det maksimale turtallet før du fortsetter forsiktig med snittet. *Ellers kan skiven henge seg opp, springe ut av arbeidsstykket eller forårsake tilbakeslag.*
- e. Støtt plater eller store arbeidsstykker for å redusere risikoen for tilbakeslag fra en fastklemt kappeskive. *Store arbeidsstykker kan bøyes av sin egen vekt. Arbeidsstykket må støttes på begge sider, både nær kappesnittet og på kanten.*
- f. Vær spesielt forsiktig ved inddykkingsnitt i vegger eller andre uoversiktlige områder. *Den inntrengende kappeskiven kan treffe på gass- eller vannledninger, elektriske ledninger eller gjenstander som kan forårsake tilbakeslag.*

SPESEIELLE ADVARSLER OM SANDPAPIRSLIPING

- a. Ikke bruk overdimensjonerte slipeskiver, følg produsentens informasjon om slipepapirstørrelsen. *Slipeskiver som peker ut over slipetallerkenen kan forårsake skader og føre til at slipeskivene blokkerer eller revner eller til at det oppstår tilbakeslag.*

SPESEIELLE ADVARSLER OM POLERING

- a. Det må aldri finnes løse deler på poleretten, spesielt ikke festesnorer. *Putt unna eller kapp festesnorene. Løse roterende festesnorer kan gripe tak i fingrene dine eller vikle seg inn i arbeidsstykket.*

SPESEIELLE ADVARSLER FOR ARBEID MED STÅLBØRSTER

- a. Husk på at stålborsten mister stålbiten i løpet av vanlig bruk. Ikke overbelast ståldelene med for sterkt presstrykk. *Ståldeler som slynges bort kan lett trenge inn gjennom tynt tøy og/eller hud.*
- b. Hvis det anbefales å bruke et vernedeksel, må du forhindre at vernedekselet og stålborsten kan berøre hverandre. *Tallerken- og koppborster kan få større diameter med presstrykk og sentrifugalkrefter.*

MILJØ

DEPONERING

Elektroverktøy, tilbehør og emballasje må leveres inn til miljøvennlig gjenvinning.

KUN FOR EU-LAND



Ikke kast elektroverktøy i vanlig søppel! Jf. det europeiske direktivet 2002/96/EF vedr. gamle elektriske og elektroniske-apparater og tilpassingen til nasjonale lover må gammelt elektroverktøy som ikke

lenger kan brukes samles inn og leveres inn til en miljøvennlig resirkulering.

SPESEIFIKASJONER

GENERELLE SPESEIFIKASJONER

Merkespenning 230-240 V, 50-60 Hz
Merkestrøm 0,5 A
Hastighet på tomgang n_0 33 000/min
Spennhylsekapasitet. 0,8 mm, 1,6 mm, 2,4 mm, 3,2 mm

SKJØTELEDNINGER

Bruk skjøteledninger som er helt rullet ut med en kapasitet på 5 A.

MOTORSPESEIFIKASJONER

Dette multiverktøyet bruker en variabel høyhastighetsmotor. Den er konstruert for drift med 230-240 V, 50-60 Hz. Kontroller alltid at tilførselsspenningen er den samme som spenningen som er angitt på verktøyets merkeplate (verktøy med merkespenning på 230 V eller 240 V kan også kobles til 220 V-uttak).

MONTERING

KOBLE ALLTID MULTIVERKTØYET FRA STRØM FØR BYTTE AV TILBEHØR, SPENNHYLSEER ELLER VEDLIKEHOLD AV VERKTØYET.

GENERELT

Multiverktøyet fra Dremel er et presisjonsverktøy av høy kvalitet som kan brukes til å utføre detaljerte presisjonsoppgaver. Det brede spekteret av Dremel-tilbehør og -forsatsjer gjør det mulig å utføre et stort antall oppgaver. Dette omfatter sliping, utskjæring og gravering samt fresing, kutting, rengjøring og polering. BILDE 2

BILDE 1

- A. Spennhylsemutter
- B. Spennhylse
- C. Verktøykappe
- D. Forsatskobling
- E. Spindellåsknapp
- F. På/av-bryter og bryter for variabel hastighet
- G. Børstedeksel (et på hver side)
- H. Ventilasjonsåpninger
- I. Oppheng
- J. Spennhylsenøkkel
- K. Strømledning

SPENNHYLSEER

Dremel-tilbehør til multiverktøyet leveres med ulike skaftstørrelser. Det finnes fire spennhylsestørrelser til de ulike skaftstørrelsene. Spennhylsestørrelsene kan identifiseres ved hjelp av ringene på baksiden av spennhylsen.

BILDE 3

- L. 3,2 mm spennhylse uten ring (480)
- L. 2,4 mm spennhylse med tre ringer (481)
- N. 1,6 mm spennhylse med to ringer (482)
- O. 0,8 mm spennhylse med en ring (483)

MERK: Noen multiverktøyst sett inneholder ikke alle fire spennhylse-størrelsene. Spennhylser kan kjøpes separat.

Bruk alltid en spennhylse som samsvarer med akselstørrelsen på det tilbehøret du planlegger å bruke. Tving aldri et skaft med større diameter ned i en mindre spennhylse.

BYTTE SPENNHYLSE

BILDE 4

- P. Spindellåsknapp
- Q. Spennhylsenøkkel
- R. Stramme
- S. Løsne
- T. Spennhylsemutter

1. Trykk på spindellåsknappen, hold skaftet inne og vri for hånd inntil den smekker på plass. Man må ikke koble inn spindellåsknappen mens multiverktøyet er i bruk.
2. Hold spindellåsknappen inne, løsne og ta ut spennhylsemutteren. Bruk spennhylsenøkkel som nødvendig.
3. Ta ut spennhylsen ved å trekke den løs fra skaftet.
4. Sett en spennhylse i riktig størrelse helt inn i skaftet og trekk til spennhylsemutteren med fingrene. Ikke trekk mutteren helt til hvis det ikke er montert bits eller tilbehør.

BYTTE TILBEHØR

BILDE 5/6

- U. Spindellåsknapp

1. Trykk på spindellåsknappen, og vri skaftet for hånd inntil den smekker på plass. *Ikke koble inn spindellåsknappen mens multiverktøyet er i bruk.*
2. Hold spindellåsknappen inne, løsne (ikke ta ut) spennhylsemutteren. Bruk spennhylsenøkkel som nødvendig.
3. Sett inn bitsen eller tilbehørsskaftet helt inn i spennhylsen.
4. Når spindellåsknappen er koblet inn, kan du stramme spennhylsen med fingrene til spennhylsen griper tak i skaftet på tilbehøret.

MERK: Sørg for å lese instruksjonene som følger med Dremel-tilbehøret. Her finner du mer informasjon om bruken.

Bruk bare tilbehør med høy tyelse som er testet av Dremel.

SLIK KOMMER DU I GANG

BRUK

Det første trinnet ved bruk av multiverktøyet er å bli "kjent" med det. Hold det i hånden og bli kjent med vekten og balansen. Kjenn på tappen på dekslet. Denne tappen gjør det mulig å holde verktøyet som du holder en blyant eller penn. Det unike

softgrepet på tuppen gjør det mulig å oppnå økt komfort og kontroll under bruk.

Hold alltid verktøyet på sikker avstand fra ansiktet. Tilbehør kan skades ved bruk, og kan sprette ut når hastigheten øker.

Når du holder verktøyet, må du ikke dekke ventilasjonsåpningene med hånden din. Hvis ventilasjonsåpningene blokkeres, kan motoren bli overopphetet.

Viktig: Øv deg på prøvematerialer først, slik at du blir vant med hvordan verktøyet skjærer på høy hastighet. Husk at multiverktøyet yter best hvis du lar hastigheten, sammen med riktig Dremel-tilbehør og -forsats, gjøre arbeidet for deg. Unngå å øve press mot verktøyet under bruk. Senk isteden det roterende tilbehøret forsiktig ned mot arbeidsflaten og la det komme i kontakt med punktet hvor det skal starte. Konsentrer deg om å føre verktøyet over arbeidsstykket med svært liten kraft. La tilbehøret gjøre jobben.

Vanligvis er det best å gjøre jobben i flere omganger istedenfor å prøve å utføre hele jobben på én gang. Å arbeide med lett hånd gir best kontroll og reduserer risikoen for feil.

Når du jobber med detaljer oppnår du best kontroll ved å holde verktøyet som en blyant mellom tommel og pekefinger. BILDE 7 "Golf"-grepet brukes til tyngre operasjoner som sliping eller kutting. BILDE 8

DRIFTSHASTIGHETER

Verktøyet er et multiverktøy for høye hastigheter. Hastigheten varierer mellom 10 000 og 33 000 o/min. Ved å justere antall omdreininger per minutt for prosjekter, vil du kunne få et bedre sluttresultat. Du oppnår best resultat med ulike materialer ved å stille inn bryteren for variabel hastighet slik at det passer til jobben. Du velger riktig hastighet for tilbehøret hvis du øver deg på litt prøvemateriale først.

MERK: Hastigheten påvirkes av endringer i spenningen. Redusert spenning vil gi lavere o/min, særlig på laveste innstilling. Hvis du synes verktøyet går sakte, må du øke hastighetsinnstillingen tilsvarende. Det kan skje at verktøyet ikke starter på laveste innstilling i områder der nettspenningen er lavere enn 220 volt. Flytt ganske enkelt hastighetsinnstillingen til en høyere stilling og begynn arbeidet.

Bryterinnstillingene for 300 Series-multiverktøy er markert på bryteren for hastighetskontroll. Bruk diagrammet med hastighetsinnstillinger på side 4-6 som hjelpemiddel når du skal bestemme riktig hastighet for materialet du arbeider med, og hvilket tilbehør du skal bruke.

A) For bruk på gipsvegger. Du oppnår best resultat ved 33 000 o/min.

B) Brukes på fugemasse på gulv og vegg. Bruk innstilling 6-8.

*) Hastighet for lette kutt. Forsiktig - risiko for fastbrenning ved dype spor.

□ Avhengig av kutteretning i forhold til fiberretningen.

De fleste jobber kan utføres med verktøyet i høyeste stilling. Imidlertid kan visse materialer (noen plast- og metallsorter) bli skadet av varmen som utvikles på grunn av den høye hastigheten. Disse må bearbeides ved lavere hastigheter. Drift på lav hastighet (15 000 o/min eller mindre) er vanligvis best for polering ved hjelp av filtpoleringstilbehør. Ved bruk av alle typer børster kreves det lavere hastigheter for å unngå at trådene løsner fra holderen. La tyelsen til verktøyet utføre arbeidet for deg når du bruker lavere hastighetsinnstillinger. Høyere hastigheter er bedre for hardt treverk, metall og glass samt for boring, utskjæring, kutting,

fresing, forming og kutting av dørfalser og brystpanel i treverk. Cirkaangivelser for omdreiningstall er:

Bryterinnstilling	Hastigheter
1-2	10 000-14 000 o/min
3-4	15 000-19 000 o/min
5-6	20 000-24 000 o/min
7-8	25 000-29 000 o/min
9-10	30 000-33 000 o/min

Noen retningslinjer mht. verktyøyhastighet:

- Plast og andre materialer som smelter ved lave temperaturer, må kuttes ved lav hastighet.
- Polering, pussing og rengjøring med stålbørste må utføres ved hastigheter under 15 000 o/min for å hindre skader på børsten og materialet.
- Treverk må kuttes ved høy hastighet.
- Jern eller stål må kuttes ved høy hastighet.
- Hvis det begynner å vibrere i en høyhastighetsfres av stål, betyr det vanligvis at den har for lav hastighet.
- Aluminium, kobberlegeringer, blylegeringer, sinklegeringer og tinn kan kuttes ved ulike hastigheter, avhengig av hva slags type kutting som skal utføres. Bruk parafin (ikke vann) eller annet egnet smøremiddel på fresen for å hindre at materialet som kuttes setter seg fast i tennene på fresen.

MERK: Økt press mot verkøyet er ikke riktig mottiltak hvis det ikke yter som forventet. Prøv et annet tilbehør eller hastighetsinnstilling for å oppnå ønsket resultat.

VEDLIKEHOLD

Forebyggende vedlikehold utført av ukyndige personer kan føre til at innvendige deler og ledninger blir satt feil inn, noe som kan forårsake alvorlig fare. Vi anbefaler at all verkøyetvedlikehold utføres av et Dremel-serviceverksted. Du unngår skade fra uventet oppstart eller elektrisk støt ved å fjerne støpselet fra vegguttaket før du foretar vedlikehold eller rengjøring.

KULLBØRSTER

Børstene i verkøyet er konstruert for mange timers pålitelig bruk. Du klargjør børstene for bruk ved å kjøre verkøyet på full hastighet i 5 minutter på tomgang. Dermed "setter" børstene seg ordentlig, og levetiden for verkøyet forlenges. Du oppnår maksimal effektivitet for motoren ved å undersøke børstene mht. slitasje hver 40.-50. time.

Bruk av verkøyet med slitte børster skader motoren permanent. Bruk bare originale Dremel-reserverbørster.' Inspiser multiverkøyet-børstene etter 40-50 timers bruk. Hvis multiverkøyet ikke fungerer som det skal, mister kraften eller lager uvanlig støy, må du kontrollere om børstene er slitt og bytte dem ved behov. Følg disse trinnene for å kontrollere/endre multiverkøyet's børster:

1. Trekk ut støpselet og legg verkøyet på en ren overflate. Bruk verkøyet's skrunøkkel som skrutrekker og ta av børstedekslene. BILDE 9
2. Fjern børstene fra verkøyet ved å trekke i fjæren som er festet til kullbørstene. Hvis børsten er mindre enn 3 mm lang og

overflaten på børsten som berører strømfordeleren er ujevn eller har små fordypninger, må kullbørstene skiftes ut. Husk å kontrollere begge børstene. BILDE 10

3. Hvis en av børstene er slitt, må du skifte ut begge slik at du får bedre ytelse av multiverkøyet. Ta av fjæren fra børsten, kast den gamle børsten og sett fjæren på en ny børste.
4. Plasser kullbørsten og fjæren tilbake i verkøyet. Den kan bare plasseres på én måte i verkøyet.
5. Fest børstedekslene på verkøyet ved å vri dekslet med klokka. Trekk til ved hjelp av skrunøkkel, men IKKE STRAM FOR MYE! Etter at du har byttet børstene, skal verkøyet kjøres på tomgang. Plasser det på en ren overflate og la det gå fritt på full hastighet i 5 minutter for du belaster (eller bruker) verkøyet. Dette gjør det mulig for børstene å "sette" seg ordentlig, og gir deg lengre levetid for hvert børstesett. Dermed forlenges og levetiden for verkøyet siden overflaten på strømfordelen ikke blir ujevnt slitt.

RENGJØRING AV VERKØYET

TREKK UT STØPSELET FØR RENGJØRING

Ventilasjonsåpninger og brytere må holdes rene og fri for fremmedlegemer. Ikke forsøk å foreta rengjøring ved å stikke spisse gjenstander inn gjennom åpningene.

Bruk gjerne trykkluft til å rengjøre verkøyet. Bruk alltid vernebriller når du rengjør verkøyet med trykkluft.

Dremel multiverkøyet trenger ikke smøres.

Noen rengjøringsmidler og løsemidler kan skade plastdeler.

Dette omfatter blant annet bensin, karbontetraklorid, klorholdige rensedmidler, ammoniakk og rengjøringsmidler som inneholder ammoniakk.

Rengjør "softgrip"-områdene på verkøyet ved hjelp av en fuktig klut. Svært skitne områder kan kreve mer enn én omgang med kluten før de blir rene.

SERVICE OG GARANTI

Garantien for dette DREMEL-produktet gis i henhold til lovfastede/landsspesifikke lover og forskrifter. Skader grunnet normal slitasje, overbelastning eller feil bruk dekkes ikke av garantien.

Dersom du ønsker å klage på produktet, tar du med verkøyet i *montert stand* sammen med kjøpsbevis til forhandleren.

KONTAKTE DREMEL

Hvis du ønsker flere opplysninger om Dremels produktvalg, brukerstøtte og hotline, kan du se på www.dremel.com

Dremel Europe, Postboks 3267, 4800 DG Breda, Nederland



VAROITUS **KAIKKI OHJEET TULEE LUKEA.**

Alla olevien ohjeiden noudattamisen laiminlyönti saattaa johtaa sähköiskuun, tulipaloon ja/ tai vaka-vaan loukkaantumiseen. Seuraavassa käytetty käsite "sähkötyökalu" käsittää verkkoikäyttöisiä sähkötyökaluja (verkkojohdolla).

SÄILYTÄ NÄMÄ OHJEET


1. TYÖPAIKKA

- a. Pidä työskentelyalue puhtaana ja hyvin valaistuna. *Työpaikan epäjärjestys ja valaisemattomat työalueet voivat johtaa tapaturmiin.*
- b. Älä työskentele sähkötyökalulla räjähdysalttiissa ympäristössä, jossa on palavaa nestettä, kaasua tai pölyä. *Sähkötyökalu muodostaa kipinöitä, jotka saattavat sytyttää pölyn tai höyryt.*
- c. Pidä lapset ja sivulliset loitolla sähkötyökalua käyttäessäsi. *Voit menettää laitteesi hallinnan, huomiosi suuntautuessa muualle.*

2. SÄHKÖTURVALLISUUS

- a. Sähkötyökalun pistotulpan tulee sopia pisto-rasiaan. Pistotulppaa ei saa muuttaa millään tavalla. Älä käytä mitään pistorasia-adaptoreita maadoitettujen sähkötyökalujen kanssa. *Alkuperäisessä kunnossa olevat pistotulpat ja sopivat pistorasiat vähentävät sähköiskun vaaraa.*
- b. Vältä koskettamasta maadoitettuja pintoja, kuten putkia, pattereita, liesiä tai jääkaappeja. *Sähköiskun vaara kasvaa, jos kehosi on maadoitettu.*
- c. Älä aseta sähkötyökalua alttiiksi sateelle tai kosteudelle. *Veden tunkeutuminen sähkötyökalun sisään kasvattaa sähköiskun riskiä.*
- d. Älä käytä verkkojohtoa väärin. Älä käytä sitä sähkötyökalun kantamiseen, ripustamiseen tai pistotulpan irrottamiseen pistorasiasta vetämällä. *Pidä johto loitolla kuumuudesta, öljystä, terävistä reunoista ja liikkuvista osista. Vahingoittuneet tai sotkeutuneet johdot kasvattavat sähköiskun vaaraa.*
- e. Käyttäessäsi sähkötyökalua ulkona, käytä ainoastaan ulkokäyttöön soveltuvaa jatkojohtoa. *Ulkokäyttöön soveltuvan jatkojohdon käyttö pienentää sähköiskun vaaraa.*

3. HENKILÖTURVALLISUUS

- a. Ole valpas, kiinnitä huomiota työskentelyysi ja noudata tervettä järkeä sähkötyökalua käyttäessäsi. Älä käytä laitetta, jos olet väsynyt tai huumeiden, alkoholin tahi lääkkeiden vaikutuksen alaisena. *Hetken tarkkaamattomuus sähkötyökalua käytettäessä, saattaa johtaa vakavaan loukkaantumiseen.*
- b.  Käytä suojavarusteita. Käytä aina suojalaseja. *Henkilökohtaisen suojavarustuksen käyttö, kuten pölynaamarin, luistamattomien turvakken-kien, suojakypärän tai kuulonsuojaimien, riippuen sähkötyökalun lajista ja käyttötavasta, vähentää loukaantumisriskiä.*

- c. Vältä tahatonta käynnistämistä. Varmista, että sähkötyökalu on poiskytketynä, ennen kuin liität pistotulpan pistorasiaan. *Jos kannat sähkötyökalua sormi käynnistyskytkimellä tai kytket sähkötyökalun pistotulpan pistorasiaan, käynnistyskytkimen ollessa käyntiasennossa, altistat itsesi onnettomuudelle.*
- d. Poista kaikki säätötyökalut ja ruuvitaitat, ennen kuin käynnistät sähkötyökalun. *Työkalu tai avain, joka sijaitsee laitteen pyörivässä osassa, saattaa johtaa loukkaantumiseen.*
- e. Älä ylläriivoi itseäsi. *Huolehdi aina tukevasta seisoma-asennosta ja tasapainosta. Täten voit paremmin hallita sähkötyökalua odottamatto-missa tilanteissa.*
- f. Käytä tarkoitukseen soveltuvia vaatteita. *Älä käytä löysiä työvaatteita tai koruja. Pidä hiukset, vaatteet ja käsineet loitolla liikkuvista osista. Väljät vaatteet, korut ja pitkät hiukset voivat takertua liikkuviin osiin.*
- g. Jos pölynimu- ja keräilylaitteita voidaan asentaa, tulee sinun tarkistaa, että ne on liitetty ja että ne käytetään oikealla tavalla. *Näiden laitteiden käyttö vähentää pölyn aiheuttamia vaaroja.*

4. SÄHKÖTYÖKALUJEN HUOLELLINEN KÄYTTÖ JA KÄSITTELY

- a. Älä ylikuormita laitetta. Käytä kyseiseen työhön tarkoitettua sähkötyökalua. *Sopivaa sähkötyökalua käyttäen työskentelet paremmin ja varmemmin tehoalueella, jolle sähkötyökalu on tarkoitettu.*
- b. Älä käytä sähkötyökalua, jota ei voida käynnistää ja pysäyttää käynnistyskytkimestä. *Sähkötyökalu, jota ei enää voida käynnistää ja pysäyttää käynnistyskytkimellä, on vaarallinen ja se täytyy korjata.*
- c. Irrota pistotulppa pistorasiasta, ennen kuin suoritat säätöjä, vaihdat tarvikkeita tai siirrä sähkötyökalun varastoitavaksi. *Nämä turvatoimenpiteet estävät sähkötyökalun tahattoman käynnistytksen.*
- d. Säilytä sähkötyökalut poissa lasten ulottuvilta, kun niitä ei käytetä. Älä anna sellaisten henkilöiden käyttää sähkötyökalua, jotka eivät tunne sitä tai jotka eivät ole lukeneet tätä käyttöohjetta. *Sähkötyökalut ovat vaarallisia, jos niitä käyttävät kokemattomat henkilöt.*
- e. Hoida sähkötyökalusi huolella. Tarkista, että liikkuvat osat toimivat moitteettomasti, eivätkä ole puristuksessa sekä, että siinä ei ole murtuneita tai vahingoittuneita osia, jotka saattaisivat vaikuttaa haitallisesti sähkötyökalun toimintaan. *Anna korjata nämä vioittuneet osat ennen käyttöä. Monen tapaturman syyt löytyvät huonosti huolletuista laitteista.*
- f. Pidä leikkausterät terävinä ja puhtaina. *Huolellisesti hoidetut leikkaustyökalut, joiden leikkausreunat ovat teräviä, eivät tartu helposti kiinni ja niitä on helpompi hallita.*
- g. Käytä sähkötyökaluja, tarvikkeita, vaihtotyökaluja jne. näiden ohjeiden mukaisesti ja tavalla, jota on säädetty erityisesti kyseiselle sähkötyökalulle. *Ota tällöin huomioon työolosuhteet ja suoritettava toimenpide. Sähkötyökalun käyttö muuhun kuin sille määrättyyn käyttöön, saattaa johtaa vaarallisiin tilanteisiin.*

5. HUOLTO

- a. Anna koulutettujen ammattihenkilöiden korjata sähkötyökälysi ja hyväksy korjauksiin vain alkuperäisiä varaosia. *Täten varmista, että sähkötyökälysi säilyy turvallisena.*

TYÖTURVALLISUUSOHJEET KAIKKIIN TÖIHIN

YHTEISET TURVALLISUUSOHJEET HIOMISTA, HIEKKAPAPERIHUOMIUSTA, TYÖSKENTELÄ TERÄSHARJAN KANSSA, KIILLTUSTA JA KATKAISUHUOMIUSTA VARTEN

- a. Tätä sähkötyökälyä tulee käyttää hiomakoneena, hiekkapaperihiomakoneena, teräsharja-, kiillotus- ja katkaisuhiomakoneena. Ota huomioon kaikki varo-ohjeet, ohjeet, piirustukset ja tiedot, joita saat sähkötyökälysi kanssa. *Ellet noudata seuraavia ohjeita, saattaa se johtaa sähköiskuun, tulipaloon ja/ tai loukkaantumisiin.*
- b. Älä käytä mitään lisälaitteita, joita ei valmistaja ole tarkoittanut tai suositellut nimenomaan tälle sähkötyökälylle. *Vain se, että pystyt kiinnittämään lisätarvikkeen sähkötyökälysi ei takaa sen turvallista käyttöä.*
- c. Vaihtotyökälysi sallittu kierrosluvun tulee olla vähintään yhtä suuri kuin sähkötyökälyssä mainittu suurin kierrosluku. *Lisätarvike, joka pyörii sallittua suuremmalla nopeudella, saattaa tuhoutua.*
- d. Vaihtotyökälysi ulkohalkaisijan ja paksuuden tulee vastata sähkötyökälysi mittatietoja. *Väärin mitoitettuja vaihtotyökälyjä ei voida suojata tai hallita riittävästi.*
- e. Hiomalaikkojen, laippojen, hiomalautasten ja muitten lisätarvikkeiden tulee sopia tarkasti sähkötyökälysi hiomakaraan. *Vaihtotyökälyt, jotka eivät sovi tarkkaan sähkötyökälysi hiomakaraan pyörivät epätasaisesti, tärisyvät voimakkaasti ja saattavat johtaa työkalun hallinnan menettämiseen.*
- f. Älä käytä vaurioituneita vaihtotyökälyjä. Tarkista ennen jokaista käyttöä, ettei vaihtotyökälyssä, kuten hiomalaikoissa ole pirstoutumia tai halkemia, hiomalautasessa halkeamia tai voimakasta kulumista, teräsharjassa irtonaisia tai katkenneita lankoja. Jos sähkötyökälysi tai vaihtotyökälysi putoaa, tulee tarkistaa, että se on kunnossa tai sitten käyttää ehjää vaihtotyökälyä. Kun olet tarkistanut ja asentanut vaihtotyökälysi, pidä itseäsi ja lähistöllä olevat henkilöt poissa pyörivän vaihtotyökälysi tasosta ja anna sähkötyökälysi käydä minuutti täydellä kierrosluvulla. *Vaurioituneet vaihtotyökälyt menevät yleensä rikki tässä ajassa.*
- g. Käytä henkilökohtaisia suojavarusteita. Käytä käytöstä riippuen kokosavonaamiota, silmäsuojusta tai suojalaseja. Jos mahdollista, käytä pölynaamaaria, kuulonsuojainta, suojakäsineitä tai erikoissuojavaatetta, joka suojaa sinut pieniltä hioma- ja materiaalihiukkasilta. *Silmät tulee suojata lenteleviltä vierailta esineiltä, jotka saattavat syntyä eri käytössä. Pöly- tai hengityssuojanaamareiden täytyy suodattaa pois työstössä syntyvä pöly. Jos olet pitkään aaltina voimakkaalle melulle, saattaa se vaikuttaa heikentävästi kuuloon.*

- h. Varmista, että muut henkilöt pysyvät turvallisella etäisyydellä työalueeltasi. Jokaisella, joka tulee työalueelle, tulee olla henkilökohtaiset suojavarusteet. *Työkappaleen tai murtuneen vaihtotyökälysi osia saattavat sinkoutua kauemmas ja vahingoittaa ihmisiä myös varsinaisen työalueen ulkopuolella.*
- i. Tartu sähkötyökälysi ainoastaan eristetyistä pinnoista, tehdesäsi työtä, jossa saattaisit osua piilossa olevaan sähköjohtoon tai sahan omaan sähköjohtoon. *Kosketus jännitteeseen johtoon saattaa myös sähkötyökälysi metalliosat jännitteisiksi ja johtaa sähköiskuun.*
- j. Pidä sähköjohto poissa pyörivistä vaihtotyökälyistä. *Jos menetät sähkötyökälysi hallinnan, saattaa verkkojohto tulla katkaistuksi tai tarttua kiinni ja vetää kätesi tai käsivartesi kiinni pyörivään vaihtotyökälysi.*
- k. Älä aseta sähkötyökälyä pois, ennen kuin vaihtotyökälysi on pysähtynyt kokonaan. *Pyörivä vaihtotyökälysi saattaa koskettaa lepopintaa ja voit menettää sähkötyökälysi hallinnan.*
- l. Älä koskaan pidä sähkötyökälyä käynnissä sitä kantaessasi. *Vaatteesi voi hetkellisen kosketuksen seurauksena tarttua kiinni pyörivään vaihtotyökälysi, joka saattaa porautua kehoosi.*
- m. Puhdista sähkötyökälysi tuuletusaukkoja säännöllisesti. *Moottorin tuuletin imee pölyä työkalun koteloon, ja voimakas metallipölyn kasautuma voi synnyttää sähköisiä vaaratilanteita.*
- n. Älä käytä sähkötyökälyä pölynäaineiden lähellä. *Kipinät voivat sytyttää näitä aineita.*
- o. Älä käytä vaihtotyökälyjä, jotka tarvitsevat nestemäistä jäähdytysainetta. *Veden tai muiden nestemäisten jäähdytysaineiden käyttö saattaa johtaa sähköiskuun.*
- p. **Älä koskaan työstä asbestipitoista ainetta** (asbestia pidetään karsinogeenisena).
- q. **Noudata suojatoimenpiteitä, jos työssä saattaa syntyä terveydelle vaarallista, palavaa tai räjähdysaltista pölyä** (monia pölyjä pidetään karsinogeenisina); käytä pölynsuojanaamaaria ja pölyn-/ lastunimua, jos se on liitettävissä.

TAKAISKU JA VASTAAVAT VARO-OHJEET

Takaisku on äkillinen reaktio, joka syntyy pyörivän vaihtotyökälysi, kuten hiomalaikan, hiomalautasen tai teräsharjan tarttuessa kiinni tai jäädessä puristukseen. Tarttuminen tai puristukseen joutuminen johtaa pyörivän vaihtotyökälysi äkilliseen pysähtymiseen. Tällöin hallitsematon kiertosuunnasta sinkoutuu tarttumakohdasta vaihtotyökälysi kiertosuunnasta vastakkaiseen suuntaan. Jos esim. hiomalaikka tarttuu tai joutuu puristukseen työkappaleeseen, saattaa hiomalaikan reuna, joka on opponut työkappaleeseen, juuttua kiinni aiheuttaen hiomalaikan ponnahtuksen ulos työkappaleesta tai aiheuttaa takaiskun. Hiomalaikka liikkuu silloin käyttävää henkilöä vasten tai pois päin hänestä, riippuen laikan kiertosuunnasta tarttumakohdassa. Tällöin hiomalaikka voi myös murtua. Takaisku johtuu sähkötyökälysi väärinkäytöstä tai käytöstä väärään tarkoitukseen. Se voidaan estää sopivin varotoimin, joita selostetaan seuraavassa.

- a. Pitele sähkötyökälyä tukevasti ja saata kehoasi käsivartesi asentoon, jossa pystyt vastaamaan takaiskuvoimiin. Käytä aina lisäkavhua, jos sinulla on sellainen, jotta pystyisit parhaalla mahdollisella tavalla hallitsemaan takaiskuvoimia tai vastamomenteja työkalun ryntökäynnissä. *Käyttävä*

henkilö pystyy hallitsemaan takaisku ja vastamomenttivoimat noudattamalla sopivia suojatoimenpiteitä.

- b. Älä koskaan tuo kättäsi lähelle pyörivää vaihtotyökälyä. *Vaihtotyökäly saattaa takaiskun sattuuessa liikkua kätesi yli.*
- c. Vältä pitämästä kehoasi alueella, johon sähkötyökäly liikkuu takaiskun sattuuessa. *Takaisku pakottaa sähkötyökälyn vastakkaiseen suuntaan hiomalaikan liikkeeseen nähdessä turtumiskohdassa.*
- d. Työskentele erityisen varovasti kulmien, terävien reunojen jne. alueella, este vaihtotyökäly ponnahtamasta takaisin työkappaleesta ja juuttumasta kiinni. *Pyörivällä vaihtotyökälyllä on taipumus juuttua kiinni kulmissa, terävissä reunoissa tai saadessaan kimmokkeen. Tämä johtaa hallinnan pettämiseen tai takaiskuun.*
- e. Älä käytä ketjuteriä tai hammastettuja sahanteriä. *Tällaiset vaihtotyökälyt aiheuttavat usein takaiskun tai sähkötyökälyn hallinnan menettämisen.*

ERITYISET OHJEET HIONTAAN JA KATKAISUHIONTAAN

- a. Käytä yksinomaan sähkötyökälyllä sallittuja hiomatyökälyjä ja niitä hiomatyökälyjä varten tarkoitettuja suojuksia. *Hiomatyökäly, jotka eivät ole tarkoitettuja sähkötyökälyn kanssa käytettäväksi, ei voida suojata riittävästi ja ne ovat turvattomia.*
- b. Hiomatyökäly saa käyttää ainoastaan siihen käyttöön mihin niitä suositellaan. Esim: Älä koskaan hio hiomalaikan sivupintaa käyttäen. *Hiomalaikat on tarkoitettu hiontaan laikan ulkokehällä. Sivuttain kohdistuva voima saattaa murtaa hiomalaikan.*
- c. Käytä aina virheetöntä, oikean kokoista ja muotoista kiinnitysliappaa valitsemallesi hiomalaikalle. *Sopivat laipat tukevat hiomalaikkaa ja vähentävät näin hiomalaikan murtemisriskiä. Katkaisulaikkojen laipat saattavat poiketa muitten hiomalaikkojen laipoista.*
- d. Älä käytä isompiin sähkötyökälyihin kuuluneita, kuluneita hiomalaikkoja. *Suurempien sähkötyökälyjen hiomalaikat eivät sovellu pienempien sähkötyökälyjen suuremmille kierrosluvuille, ja ne voivat murtaa.*

MUITA KATKAISUHIONTAAN LIITTYVIÄ ERITYISVARO-OHJEITA

- a. Vältä katkaisulaikan juuttumista kiinni ja liian suurta syöttöpainetta. Älä tee liian syviä leikkauksia. *Katkaisulaikan ylikuormitus kasvattaa sen rasitusta ja sen alttiutta kallistua tai juuttua kiinni ja siten takaiskun ja laikan murtumisen mahdollisuutta.*
- b. Vältä aluetta pyörivän katkaisulaikan edessä ja takana. *Jos katkaisulaikka liikkuu työkappaleesta sinusta pois päin, saattaa sähkötyökäly takaiskun sattuuessa singota suoraan sinua kohti laikan pyöriessä.*
- c. Jos katkaisulaikka joutuu puristukseen tai keskeytät työn, tulee sinun pysäyttää sähkötyökäly ja pitää se rauhallisesti paikoillaan, kunnes laikka on pysähtynyt. Älä koskaan koeta poistaa vielä pyörivää katkaisulaikkaa leikkauksesta, se saattaa aiheuttaa takaiskun. *Määrittele ja poista puristukseen joutumisen syy.*
- d. Älä käynnistä sähkötyökälyä uudelleen, jos laikka on kiinni työkappaleesta. Anna katkaisulaikan ensin saavuttaa täysi kierroslukunsa, ennen kuin varovasti jatkat leikkausta.

Muussa tapauksessa saattaa laikka tarttua kiinni, ponnahtaa ulos työkappaleesta tai aiheuttaa takaiskun.

- e. Tue litteät tai isot työkappaleet, katkaisulaikan puristuksen aiheuttaman takaiskuvaaran minimoimiseksi. *Suuret työkappaleet voivat taipua oman painonsa takia. Työkappaleita tulee tukea molemmilta puolilta, sekä katkaisuleikkauksen vierestä, että reunoista.*
- f. Ole erityisen varovainen upotusleikkauksissa seinäin tai muihin alueisiin, joiden taustaa tai rakennetta et pysty näkemään. *Uppoava katkaisulaikka saattaa aiheuttaa takaiskun osuessaan kaasu- tai vesiputkiin, sähköjohtoihin tai muihin kohteisiin.*

ERITYISET VARO-OHJEET HIEKKAPAPERIHIONTAAN

- a. Älä käytä ylisuuria hiomapyöröjä. Noudata valmistajan ohjeita hiomapyöröjen koosta. *Hiomapyöröt jotka ulottuvat hiomalaikasen ulkopuolelle, saattavat aiheuttaa loukkaantumista tai johtaa kiinnijuuttumiseen, hiomapyörön repeytymiseen tai takaiskuun.*

ERITYISET VARO-OHJEET KIILOTUKSEEN

- a. Älä hyväksy mitään irtonaisia osia kiillotushupussa, esim. kiinnitysnauhuja. *Pilota tailyhennä kiinnitysnauhat. Irtonaiset pyörivät kiinnitysnauhat voivat tarttua sormeesi tai työkappaleeseen.*

ERITYISET VARO-OHJEET TYÖSKENTELYYN TERÄSHARJAN KANSSA

- a. Ota huomioon, että teräsharjasta irtoaa lankoja myös normaalikäytössä. Älä ylikuormita lankoja käyttämällä liian suurta painetta työkappaleita vasten. *Irti sinkoutuvat langan kappaleet voivat helposti tunkeutua ohuen vaateen tai ihon läpi.*
- b. Jos suojusta suositellaan, tulee sinun varmistaa, ettei suojuksen ja teräsharjan voi koskettaa toisiaan. *Lautas- ja kuppariharjojen halkaisijat voivat laajeta puristusaineen ja keskijakovoiman johdosta.*

YMPÄRISTÖ

HÄVITYS

Sähkötyökäly, lisätarvikkeet ja pakkaukset tulee toimittaa ympäristöstäytävälliseen uusiokäyttöön.

VAIN EU-MAITA VARTEN



Älä heitä sähkötyökälyä talousjätteisiin! Eurooppalaisen vanhoja sähkö- ja elektroniikkalaitteita koskevan direktiivin 2002/96/EY ja sen kansallisten lakien muunnosten mukaan, tulee käytökelvottomat sähkötyökälyt kerätä erikseen ja toimittaa ympäristöstäytävälliseen uusiokäyttöön.

TEKNISET TIEDOT

YLEISET TEKNISET TIEDOT

Jännitearvot 230-240 V, 50-60 Hz
Ampeerilukuarvot 0,5 A
Nopeus kuormittamattomana . . . n_0 33.000/min
Hylsykapasiteetti 0,8 mm; 1,6 mm; 2,4 mm; 3,2 mm

JATKOJOHDOT

Käytä täysin suoritettua ja turvallista jatkojohtoa, jonka kapasiteetti on 5 ampeeria.

MOOTTORIN TEKNISET TIEDOT

Tässä multityökälussa on vaihtuvanopeuksinen suurinopeusmoottori. Se on johdettu käytettäväksi 230-240 voltiilla ja 50-60 hertsillä. Tarkista aina, että syöttöjännite on sama kuin työkalun kilvessä mainittu jännite (230 tai 240 V:n työkalun voi liittää myös 220 V:n syöttöön).

KOKOAMINEN

IRROTA MULTITYÖKALU AINA VERKKOVIRRASTA ENNEN TARVIKKEIDEN TAI ISTUKKAHYLSYN VAIHTOJA TAI TYÖKALUN HUOLTOA.

YLEISTÄ

Dremel-multityökalu on laadukas tarkkuustyökalu, jota voi käyttää tarkkoihin ja monimutkaisiin töihin. Laaja Dremel-tarvikkeiden ja lisälaitteiden valikoima mahdollistaa monenlaisten töiden suorittamisen. Näitä ovat muunmuassa hiominen, veistäminen, kaivertaminen ja jyrsintä sekä katkaisu, puhdistus ja kiillotus.
KUVA 2

KUVA 1

- A. Istukkamutteri
- B. Istukkahylsy
- C. Rungon karkikappale
- D. Lisälaitteen rajapinta
- E. Karalukkopainike
- F. Virtakytkin ja nopeuden säätö
- G. Harjan suojus (yksi kummallakin puolella)
- H. Tuuletusaukot
- I. Teline
- J. Istukka-avain
- K. Virtajohto

ISTUKKAHYLSYT

Multityökaluun sopivissa Dremel-tarvikkeissa on eri varsikokoja. Istukkahylsyjä on neljää eri kokoa ja ne sopivat eri kokoihin varsiin. Eri kokoiset istukkahylsyt tunnistaa hylsyn takana olevista renkaista.

KUVA 3

- L. 3,2 mm:n istukkahylsy ilman rengasta (480)
- M. 2,4 mm:n istukkahylsy kolmella renkaalla (481)
- N. 1,6 mm:n istukkahylsy kahdella renkaalla (482)
- O. 0,8 mm:n istukkahylsy yhdellä renkaalla (483)

HUOMAA: Joissakin multityökalarajoissa ei ehkä ole kaikkia neljää istukkahylsykokoa. Istukkahylsyjä on saatavana erikseen.

Käytä aina istukkahylsyä, joka sopii sen lisävarusteen rungon kokoon, jota aiot käyttää. Älä pakota läpimitaltaan suurempaa karanvartta pienempään istukkahylsyyn.

ISTUKKAHYLSYN VAIHTAMINEN

KUVA 4

- P. Karalukkopainike
- Q. Istukka-avain
- R. Kiristäminen
- S. Löysäminen
- T. Istukkamutteri

1. Paina karalukkopainiketta, pidä alhaalla ja käännä karaa kädellä, kunnes se kiinnittyy varteen. Älä kytke karalukkopainiketta, kun multityökalu on käynnissä.
2. Pidä karalukkopainiketta alhaalla, kierrä auki ja irrota istukkamutteri. Käytä tarvittaessa istukka-avainta.
3. Poista istukkahylsy vetämällä se irti varresta.
4. Asenna sopivan kokoinen istukkahylsy täysin varteen ja laita istukkamutteri takaisin sormikireyteen. Älä kiristä mutteria täysin, ennen kuin terä tai tarvike on asennettu.

TARVIKKEEN VAIHTAMINEN

KUVA 5/6

U. Karalukkopainike

1. Paina karalukkopainiketta ja käännä karaa kädellä, kunnes se kiinnittyy varsilukkuun. *Älä kytke karalukkopainiketta, kun multityökalu on käynnissä.*
2. Pidä karalukkopainiketta alhaalla, kierrä istukkamutteri auki (älä irrota). Käytä tarvittaessa istukka-avainta.
3. Työnnä terä tai tarvikevarsi täysin istukkahylsyyn.
4. Kun karalukkopainike on kytkeytynyt, kiristä käsin istukkahylsyn mutteri, kunnes terä tai tarvikevarsi tarttuu istukkahylsyyn.

HUOMAA: Muista lukea Dremel-tarvikkeen mukana toimitetut ohjeet, joista saat lisätietoja sen käytöstä.

Käytä vain Dremelin testaamia, suorituskykyisiä tarvikkeita.

KÄYTÖN ALOITTAMINEN

KÄYTÄ

Ensimmäinen askel multityökälun käytössä on saada siihen tuntu-maa. Pidä sitä kädessäsi ja tunnuste sen painoa ja tasapainoa. Tunnuste kotelon kartiomaista kärkeä. Tämä mahdollistaa sen

että työkalua voi pidellä kuten kynää. Kärjen ainutlaatuisen pehmeä kädensija parantaa mukavuutta ja hallintaa käytön aikana.

Pitele työkalua aina pois päin kasvoistasi. Tarvikkeet voivat vahingoittaa käsittelyn aikana ja lennähtää irti nopeuden kasvaessa.

Kun pitelet työkalua, älä peitä ilmanpoistoaukkoja kädelläsi.

Ilmanpoistoaukkojen peittäminen voi aiheuttaa moottorin ylikuumentumisen.

TÄRKEÄÄ Harjoittele ensin johonkin jäännösmateriaaliin, jotta näet miten työkalun suuri nopeus käyttäytyy. Pidä mielessä, että multityökalu suoriutuu tehtävästään parhaiten, kun annat sen nopeuden sekä oikean Dremel-tarvikkeen ja lisälaitteen hoitaa työn puolestasi. Älä kohdista työkaluun painetta työskentelyn aikana, jos vain mahdollista. Laske sen sijaan pyörivä tarvike kevyesti työalustalle ja anna sen koskettaa kohtaa, josta haluat aloittaa. Keskeytä ohjaamaan työkalua työn yli ja käytä hyvin vähän voimaa. Anna lisävarusteen tehdä työ.

On yleensä parempi tehdä työkalulla muutamia vetoja sen sijaan, että yrittäisi tehdä koko työn yhdellä vedolla. Kevyt kosketus antaa parhaimman hallinnan ja vähentää virheen mahdollisuutta. Saadaksesi parhaan kontrollin lähityöskentelyssä tartu multityökaluun kuten kynään peukalollasi ja etusormellasi. KUVA 7 Golf-otetta käytetään raskaammissa töissä, kuten hionnassa ja katkaisussa. KUVA 8

TYÖSKENTELYNOPEUDET

Tämä työkalu on suurinopeuksinen multityökalu. Sen nopeus on välillä 10.000 - 33.000 kierr./min. Säätämällä kierrosnopeutta projektisi mukaan, saat paremman lopputuloksen. Parhaan tuloksen saavuttaminen työskennellessä eri materiaaleilla - aseta säädettävä nopeus työn mukaan. Jotta osaat valita oikean nopeuden käytettävälle tarvikkeelle, harjoittele ensin jäännösmateriaaleilla. **HUOMAA:** Jännitevaihtelut vaikuttavat nopeuteen. Alentunut syöttöjännite hidastaa työkalun pyörimisnopeutta varsinkin alimmalla asetuksella. Jos työkalusi vaikuttaa pyörivän hitaasti, nostaa pyörimisnopeutta vastaavasti. Työkalu ei ehkä käynnisty alimmalla asetuksella paikoissa, joissa ulostulojännite on alle 220 voltia. Voit yksinkertaisesti siirtää nopeusasetuksen ylempään asentoon käynnistäksesi työkalun.

300-sarjan multityökalun asetukset on merkitty nopeuden säätökytkimeen. Katso Nopeuden säätötaulukosta sivuilta 4-6 ohjeet oikeaan nopeuden säätöön kullekin työstettävälle materiaalille ja käytettävälle tarvikkeelle.

A) Käytetään kiviseinään. Saat parhaan tuloksen nopeudella 33.000 kierr./min.

B) Seinä- ja lattialaattojen saumojen poistoon. Käytä asetusta 6-8.

*) Nopeus kevyisiin leikkauksiin. Varoitus, syvissä urissa voi tapahtua palamista.

□ Riippuen leikkaussuunnasta syihin nähden.

Useimmat työt voidaan suorittaa käyttämällä työkalua sen nopeimmalla asetuksella. Jotkin materiaalit (tietyt muovit ja metallit) voivat kuitenkin vahingoittua suuren nopeuden kehittämästä kuumuudesta, ja niitä tulee työstää suhteellisen alhaisilla nopeuksilla. Pieni nopeus (15.000 kierr./min tai alle) on yleensä paras kiillotuksessa, kun käytetään huopakiillotustarviketta. Kaikissa harjaustoissa käytetään alhaisempaa nopeutta, jotta voidaan välttää harjasten irtoamista kiinnityksestään. Anna työkalun tehon tehdä työ puolestasi, kun käytät pienempiä nopeusasetuksia. Suuremmat

nopeudet sopivat paremmin kovapuulle, metalleille ja lasille sekä poraukseen, veistoon, katkaisuun, jyräntään, muotoiluun ja urien ja kuvioiden leikkaukseen puuhun. Asetukset sopiville kierrosluville ovat (liikarvoja):

Kytkimen asetus	Nopeusalue
1-2	10.000-14.000 kierr./min
3-4	15.000-19.000 kierr./min
5-6	20.000-24.000 kierr./min
7-8	25.000-29.000 kierr./min
9-10	30.000-33.000 kierr./min

Joitakin ohjeita työkalun kierrosnopeuksiin:

- Muovi ja muut materiaalit, jotka sulavat alhaisissa lämpötiloissa, tulisi leikata alhaisilla nopeuksilla.
- Kiillotus, hiominen ja puhdistaminen teräsharjalla täytyy tehdä nopeudella joka on alle 15.000 kierr./min, jotta estetään harjan ja materiaalin vahingoittuminen.
- Puu tulisi leikata suurella nopeudella.
- Rauta tai teräs tulisi leikata suurella nopeudella.
- Jos suurinopeuksinen teräsleikkuri alkaa tärähtää, se tarkoittaa yleensä sitä, että se pyörii liian hitaasti.
- Alumiini, kupariseokset, lyijyosekset, sinkkiseokset ja tina voidaan leikata eri nopeuksilla riippuen tehtävästä leikkauksesta. Käytä parafiniin (ei vettä) tai muuta sopivaa voiteluainetta leikkurissa, jotta estät leikatun materiaalin tarttumisen leikkurin teriin.

HUOMAA: Paineen lisääminen työstökohdetta vasten ei ole oikea ratkaisu, jos työkalu ei toimi oikein. Kokeile toista nopeutta tai nopeutta saavuttaaksesi halutun tuloksen.

KUNNOSSAPITO

Valtuuttamattomien henkilöiden suorittamat ennaltaehkäisevät huoltotoimet voivat johtaa sisäisten johtojen ja osien vääriin sijoittamiseen, mikä voi aiheuttaa vakavan vaaran. Suosittelemme, että Dremelin huoltopalvelu suorittaa kaikki työkalun huoltotoimenpiteet. Vältä yllättävän käynnistymisen tai sähköiskun vaara irrottamalla pistoke aina pistorasiasta ennen huoltoa tai puhdistusta.

HIILIHARJAT

Työkalusi sisältämät harjat on suunniteltu kestämään useita tunteja luotettavaa käyttöä. Valmistele harjat käyttöä varten käyttämällä työkalua täydellä pyörimisnopeudella viiden minuutin ajan ilman kuormitusta. Tämä asettaa harjat kunnolla paikalleen ja pidentää työkalun käyttöikää. Ylläpitääksesi moottorin parhaan tehon, tarkista harjojen kuluminen 40-50 käyttötunnin välein.

Jos käytät työkalua kuluneilla harjoilla, aiheutat sen moottorille pysyvää vahinkoa. Käytä vain alkuperäisiä Dremel-vaihtoharjoja. Tarkista multityökalun harjat 40-50 käyttötunnin välein. Jos multityökalu toimii epävarmasti, virta katkeilee tai se pitää outoa ääntä, tarkista harjojen kuluneisuus ja vaihda tarvittaessa. Noudata seuraavia ohjeita harjojen tarkistuksessa ja vaihdossa:

1. Irrota virtajohto verkkovirrasta ja aseta työkalu puhtaalle alustalle. Käytä työkaluavainta ruuvitaltana ja irrota harjatulpat. KUVA 9
2. Poista harjat työkalusta vetämällä jousesta, joka on kiinnitetty hiiliharjaan. Jos harja on alle 3 mm pitkä ja virrankääntäjään osuva pinta on karkeaa tai syöpynyt, hiiliharjat on vaihdettava. Muista tarkistaa molemmat harjat. KUVA 10
3. Jos yksi harja on kulunut, tulisi molemmat vaihtaa, jotta työkalusi toimisi paremmin. Irrota jousi harjasta, hävitä vanha harja ja aseta jousi uuteen harjaan.
4. Aseta hiiliharja ja jousi takaisin työkaluun, se asettuu paikalleen vain yhteen asentoon.
5. Laita harjatulpat takaisin paikalleen kiertämällä niitä myötäpäivään. Kiristä avaimella, mutta ÄLÄ KIRISTÄ LIIKKAA! Kun harjat on vaihdettu, työkalua tulisi käyttää kuormittamattomana; aseta se puhtaalle alustalle ja käytä vapaasti täydellä pyörimisnopeudella viiden minuutin ajan, ennen kuin kuormitat (käytät) työkalua. Tällöin harjat asettuvat paikoilleen ja niiden käyttöikä pitenee. Tämä myös pidentää työkalusi käyttöikää, koska virrankääntäjän pinta kuluu paremmin ja kestävä pidempään.

TYÖKALUN PUHDISTAMINEN

IRROTA PISTOKE VERKKOVIRRASTA ENNEN PUHDISTUSTA

Ilmanvaihtoaukot ja kytkimen vivut täytyy pitää siisteinä ja puhtaina vieraista materiaaleista. Älä yritä puhdistaa aukkoja työntämällä niihin teräviä esineitä.

Työkalun voi puhdistaa paineilmalla. Käytä aina suojalaseja kun puhdistat työkalua paineilmalla.

Dremel-multityökalua ei tarvitse voidella.

Tietyt puhdistusaineet ja liuotteet vahingoittavat muoviosia. Näitä ovat muunmuassa: bensiini, hiilitetrakloridi, klooria sisältävät puhdistusliuotteet, ammoniakki sekä ammoniakkia sisältävät talouspuhdistusaineet.

Puhdista pehmeät kädensijat kostealla kankaalla. Pahimmin likaantuneet alueet saattavat vaatia useamman kuin yhden käsittelyn puhdistukseen.

HUOLTO JA TAKUU

Tällä DREMEL-tuotteella on lakisääteinen/maakohtaisten säännösten mukainen takuu; normaalista kulumisesta johtuvat vauriot, ylikuormitus ja väärä käsittely ovat tämän takuun ulkopuolella.

Jos tuotteeseen tulee vikaa, lähetä purkamaton työkalu yhdessä ostokuitin kanssa jälleenmyyjälle.

DREMELIN YHTEYSTIEDOT

Lisätietoja Dremelin valikoimista, tuesta ja hotlinesta saat osoitteesta www.dremel.com

Dremel Europe, P.O. Box 3267, 4800 DG Breda, Alankomaat



ETTEVAATUST

LUGEGE LÄBI KÕIK JUHISED.

Järgevate ohutusnõuete

eiramise tagajärjeks võib olla elektrilööki, tulekahju ja/ või rasked vigastused. Allpool kasutatud mõiste "elektriline tööriist" käib võrgutoitega (toitejuhtmega) elektriliste tööriistade kohta.

HOIDKE KÕIK JUHISED HOOLIKALT ALLES


1. TÖÖPIIRKOND

- a. Hoidke tööpiirkond puhas ja korras. *Tööpiirkonnas valitsev segadus ja hämarus võib põhjustada õnnetusi.*
- b. Ärge kasutage seadet plahvatusohtlikus keskkonnas, kus leidub tuleohtlikke vedelikke, gaase või tolmu. *Elektrilistest tööriistadest lööb sädemeid, mis võivad tolmu või auru süüdata.*
- c. Elektrilise tööriista kasutamise ajal hoidke lapsed ja teised isikud tööpiirkonnast eemal. *Kui Teie tähelepanu juhitakse kõrvale, võib seade Teie kontrolli alt väljuda.*

2. ELEKTRIOHUTUS

- a. Seadme pistik peab pistikupessa sobima. Pistikut ei tohi mingil viisil muuta. Ärge kasutage kaitsemaandusega seadmete puhul adapterpistikuid. *Muutmata pistikud ja sobivad pistikupesad vähendavad elektrilöögi ohtu.*
- b. Vältige kehakontakti maandatud pindadega, näiteks torude, radiaatorite, pliitide ja külmikutega. *Kui Teie keha on maandatud, on elektrilöögi oht suurem.*
- c. Hoidke seadet vihma ja niiskuse eest. *Elektriseadmesse sattunud vesi suurendab elektrilöögi ohtu.*
- d. Kasutage toitejuhet üksnes nõuetekohaselt. Ärge kasutage toitejuhet seadme kandmiseks, ülesriputamiseks ega pistiku pistikupesast väljatõmbamiseks. Hoidke toitejuhet kuumuse, õli, teravate servade ja seadme liikuvate osade eest. *Kahjustatud või keerduläinud toitejuhe suurendab elektrilöögi ohtu.*
- e. Kui töotate elektrilise tööriistaga välistingimustes, kasutage ainult selliseid pikendusjuhtmeid, mis on ette nähtud kasutamiseks ka välistingimustes. *Välistingimustes kasutamiseks sobiv pikendusjuhe vähendab elektrilöögi ohtu.*

3. INIMESTE OHUTUS

- a. Olge tähelepanelik, jälgige oma tegevust ning tegutsuge elektrilise tööriistaga töötades kaalutult. Ärge kasutage seadet, kui olete väsinud või uimastite, alkoholi või ravimite mõju all. *Hetkeline tähelepanematus seadme kasutamisel võib põhjustada rasked vigastusi.*
- b.  Kasutage isikukaitsevahendeid. Kandke alati kaitseprille. *Sobivate isikukaitsevahendite, näiteks tolmumaski, libisemiskindlate turvajalatsite, kaitsekiivri või kuulmiskaitsevahendite kasutamine vähendab vigastuste ohtu.*

ÜHISED OHUTUSNÕUDED LIHVIMISEL, LIIVAPABERIGA LIHVIMISEL, TRAATHARJAGA TÖÖTLEMISEL, POLEERIMISEL JA LÕIKAMISEL

- c. Vältige seadme tahtmatut käivitamist. Enne pistiku pistikupeessa ühendamist veenduge, et lüliti on väljalülitatud asendis. *Kui hoiate seadme kandmisel sõrme lülilil või ühendate vooluvõrku sisselülitatud seadme, võib see põhjustada õnnetusi.*
- d. Enne seadme sisselülitamist eemaldage selle küljest reguleerimis- ja mutrivõtmed. *Seadme pöörleva osa küljes olev reguleerimis- või mutrivõti võib põhjustada vigastusi.*
- e. Ärge hinnake end üle. *Võtke stabiilne tööasend ja hoidke kogu aeg tasakaalu. Nii saate seadet ootamatutes olukordades paremini kontrollida.*
- f. Kandke sobivat rõivastust. *Ärge kandke laiu riideid ega ehteid. Hoidke juukseid, rõivad ja kindad seadme liikuvatest osadest eemal. Lotendavad riided, et need võib pikad juukseid võivad sattuda seadme liikuvate osade vahele.*
- g. Kui on võimalik paigaldada tolmuemaldus- ja tolmu kogumisseadiseid/seadmeid, veenduge, et need on seadmele ühendatud ja et neid kasutatakse õigesti. *Nende seadiste/seadmete kasutamine vähendab tolmust põhjustatud ohte.*

4. ELEKTRILISTE TÖÖRIISTADE KÄSITSEMINE JA HOOLDAMINE

- a. Ärge koormake seadet üle. Kasutage töö tegemiseks selleks ettenähtud elektrilist tööriista. *Sobiva elektrilise tööriistaga töötate ettenähtud jõudluspiirides tõhusamalt ja ohutumalt.*
 - b. Ärge kasutage elektrilist tööriista, mille lüliti on rikkis. *Elektriline tööriist, mida ei saa enam lülitist sisse ja välja lülitada, on ohtlik ning tuleb toimetada parandusse.*
 - c. Enne seadme reguleerimist, tarvikute vahetamist ja seadme ärapanemist tõmmake seadme toitepistik pistikupesast välja. *See ettevaatusabinõu väldib seadme tahtmatut käivitamist.*
 - d. Kasutusvälisel ajal hoidke elektrilisi tööriistu lastele kättesaamatus kohas. Ärge lubage seadet kasutada isikutel, kes ei ole kursis seadme tööpõhimõttega ega ole tutvunud käesolevate juhistega. *Asjatundmatute kasutajate käes on elektrilised tööriistad ohtlikud.*
 - e. Hooldage seadet korralikult. Veenduge, et seadme liikuvad osad töötavad korralikult ega kiildu kinni ja et seadme osad ei ole katki või kahjustatud määral, mis võiks mõjutada seadme veatut tööd. Laske kahjustatud osad enne seadme kasutamist parandada. *Elektriliste tööriistade ebapiisav hooldus on paljude õnnetuste põhjuseks.*
 - f. Hoidke lõiketarvikuid teravad ja puhtad. *Hästi hooldatud, teravate lõikeservadega lõiketarvikud kiiduvad harvemini kinni ja neid on lihtsam juhtida.*
 - g. Kasutage elektrilist tööriista, lisavarustust, tarvikuid jne vastavalt siintoodud juhistele ning nii, nagu konkreetse mudeli jaoks ette nähtud. Arvestage seejuures töötõingimuste ja teostatava töö iseloomuga. *Elektriliste tööriistade nõuetevastane kasutamine võib põhjustada ohtlikke olukordi.*
- a. Käesolev elektriline tööriist on ette nähtud lihvimiseks, liivapaberiga lihvimiseks, traatharjaga töötlemiseks, poleerimiseks ja lõikamiseks. Järgige kõiki tööriistaga kaasasolevaid hoiatusi, juhiseid, jooniseid ja tehnilisi andmeid. *Järgnevate ohutusnõuete eiramise tagajärjeks võib olla elektrilöökk, tulekahju ja/või raskest vigastused.*
 - b. Ärge kasutage lisatarvikuid, mida tootja ei ole käesoleva elektrilise tööriista jaoks ette näinud või soovitanud. *Asjaolu, et saate lisatarvikut oma tööriista külge kinnitada, ei taga veel tööriista ohutut kasutamist.*
 - c. Kasutatava tarviku lubatud pöörete arv peab olema vähemalt sama suur nagu elektrilise tööriista maksimaalne pöörete arv. *Tarvik, mis pöörleb lubatust kiiremini, võib puruneda.*
 - d. Tarviku läbimõõt ja paksus peavad vastama elektrilise tööriista mootmetele. *Valede mootmetega tarvikut ei kata kaitsekaitse piisaval määral.*
 - e. Lihvettand, flatsiid, lihvtallad ja teised tarvikud peavad elektrilise tööriista spindiliga täpselt sobima. *Tarvikud, mis spindiliga täpselt ei sobi, pöörlevad ebaühtlaselt, vibreerivad tugevasti ja võivad põhjustada kontrolli kaotuse tööriista üle.*
 - f. Ärge kasutage vigastatud tarvikuid. Iga kord enne kasutamist veenduge, et lihvetastel ei esine pragusid või murenenud kohti, lihvtaldadel pragusid või kulunud kohti, traatharjadel lahtisi või murdunud traate. Kui elektriline tööriist või tarvik maha kukub, siis kontrollige, ega see ei ole vigastatud ning vajaduse korral asendage vigastatud tarvik uue tarvikuga. Kui olete tarviku üle kontrollinud ja kasutusele võtnud, hoidke ennast ja lähedal viibivaid isikuid väljaspool pöörleva tarviku tasandit ja laske tööriistal töötada ühe minuti vältel maksimaalsetel pööretel. *Selle testperioodi jooksul vigastatud tarvikud üldjuhul purunevad.*
 - g. Kasutage isikukaitsevahendeid. Sõltuvalt seadme kasutusotstarbest kandke näokaitsemaski või kaitseprille. Vajaduse korral kandke tolmuaitsemaski, kuulmiskaitsevahendeid, kaitsekindaid või kaitsepõlle, mis kaitseb Teid lihvimisel eralduvate väikeste materjaliosakeste eest. *Silmi tuleb kaitsta töödeldavast materjalist eralduvate kildude ja võõrkehade eest. Tolmu- ja hingamisteede kaitsemaskid peavad filtreerima tekkiva tolmu. Pikaajaline tugev müra võib kahjustada kuulmist.*
 - h. Veenduge, et teised inimesed asuvad tööpiirkonnast ohutus kauguses. Igaüks, kes tööpiirkonda siseneb, peab kandma isikukaitsevahendeid. *Materjalist eralduvad kildud või murdunud tarvikud võivad õhku paiskuda ning põhjustada vigastusi ka tööpiirkonnast väljaspool.*
 - i. Tehes töid, mille puhul võib lõiketarvik kokku puutuda varjatud elektrijuhtmetega, hoidke seadet üksnes isoleeritud käepidemetest. *Kokkupuude pinges all olevate elektrijuhtmetega pingestab ka seadme metallosad ja põhjustab elektrilöögi.*
 - j. Hoidke toitejuhet eemal pöörlevast tarvikust. *Kontrolli kaotusel seadme üle võib tarvik toitejuhtme läbi lõigata või*

5. TEENINDUS

- a. Laske seadet parandada ainult kvalifitseeritud spetsialistidel, kes kasutavad originaalvaruosi. *Nii tagate seadme pideva ohutu töö.*

keerdu tömmata ning Teie käsi või käsivars võib pöörleva tarvikuga kokku puutuda.

- k. Pange tööriist käest alles siis, kui tarvik on seiskunud. Pöörlev tarvik võib alusega kokku puutuda, mille tagajärjel võite kaotada kontrolli tööriista üle.
- l. Ärge transportige töötavat tööriista. Pöörlev tarvik võib Teie riietesse kinni jääda ning Teid vigastada.
- m. Puhastage regulaarselt tööriista ventilatsiooniavad. Töötav mootor tõmbab korpusesse tolm ja kogunev metallitolmu võib vähendada elektriõhust.
- n. Ärge kasutage elektrilist tööriista süttivate materjalide läheduses. Sädemete tõttu võivad taolised materjalid süttida.
- o. Ärge kasutage tarvikuid, mille puhul on vaja kasutada jahutusvedelikke. Vee või teiste jahutusvedelike kasutamine võib põhjustada elektrilöögi.
- p. **Ärge töödelge asbesti sisaldavat materjali** (asbest võib tekitada vähki).
- q. **Rakendage kaitseabinõusid, kui töötamisel võib tekkida tervistkahjustavat, süttimis- või plahvatusohtlikku tolm** (teatud liiki tolm võib tekitada vähki); kandke tolmukaitsesmasi ja võimaluse korral ühendage seade tolmumejaga.

TAGASILÖÖK JA ASJAOMASED OHUTUSNÕUDED

- Tagasilöök on kinnikiildunud pöörlevast tarvikust, näiteks lihvkettast, lihvtallast, traatharjast vmt põhjustatud järsk reaktsioon. Kinnikiildumine põhjustab pöörleva tarviku äkilise seiskumise. See omakorda tingib seadme kontrollimatu liikumise tarviku pöörlemisunaga vastupidises suunas. Lihvketta kinnikiildumise tagajärjeks võib olla lihvketta murdumine või tagasilöök. Lihvketas liigub siis sõltuvalt ketta pöörlemisunast kas tööriista kasutaja suunas või kasutajast eemale. Seejuures võivad lihvkettad ka murduda. Tagasilöök on seadme vale või ebaõige kasutuse tagajärg. Tagasilööki saab ära hoida, kui rakendada järgnevalt kirjeldatud sobivaid ettevaatusabinõusid.
- a. Hoidke elektrilist tööriista tugevasti ja viige oma keha ja käed asendisse, milles saate tagasilöögiõududele vastu astuda. Kasutage alati lisakäepidet, kui see on olemas, et saavutada tagasilöögiõudude või reaktsioonimomentide üle võimalikult suurt kontrolli. *Seadme kasutaja saab sobivate ettevaatusabinõude rakendamisega tagasilöögi- ja reaktsioonijõudusid kontrollida.*
 - b. Ärge viige oma kätt kunagi pöörlevate arvukite lähedusse. *Tarvik võib tagasilöögi puhul riivata Teie kätt.*
 - c. Vältige oma kehaga piirkonda, kuhu seade tagasilöögi puhul liigub. *Tagasilöök paiskab seadme lihvketta liikumissuunale vastassuunas.*
 - d. Töötage eriti ettevaatlikult nurkade, teravate servade jmt piirkonnas. Vältige tarviku tagasipõrkumist toorikult ja toorikusse kinnijäämist. *Pöörlev tarvik kaldub nurkades, teravates servades ja tagasipõrkumise korral kinni kiilduma. See põhjustab kontrolli kaotuse tööriista üle või tagasilöögi.*
 - e. Ärge kasutage kett- ega hammastatud ketast. *Sellised tarvikud põhjustavad tihti tagasilöögi või kontrolli kaotuse seadme üle.*

TÄIENDAVAD OHUTUSNÕUDED LIHVIMISEL JA LÕIKAMISEL

- a. Kasutage alati konkreetse seadme jaoks ette nähtud lihvimistarviku ja konkreetse lihvimistarviku jaoks ette nähtud kettakaitset. *Kettakaitse ei kata lihvimistarvikuid, mis ei ole tööriista jaoks ette nähtud, piisaval määral ning need on ohtlikud.*
- b. Lihvimistarvikuid tohib kasutada üksnes otstarbel, milleks need on ette nähtud. Kunagi ei tohi lihvimiseks kasutada lõikeketta külgpinda. *Lõikekettad on ette nähtud materjali lõikamiseks ketta servaga. Külgsuunas avalduv jõud võib lõikeketta purustada.*
- c. Kasutage alati valitud lihvketta jaoks sobiva suuruse ja kujuga kinnitusflantsi. *Sobivad flantsid kaitsevad lõikeketast ja hoiavad ära lihvketta purunemise ohu. Lõikeketta flantsid võivad lihvkettaste flantsidest erineda.*
- d. Ärge kasutage suuremat elektriliste tööriistade kulunud lihvkettaid. *Suuremate elektriliste tööriistade lihvkettad ei sobi kasutamiseks väiksemate elektriliste tööriistade kõrgemal pööretel ning võivad puruneda.*

TÄIENDAVAD OHUTUSNÕUDED LÕIKAMISEL

- a. Vältige lõikeketta kinnikiildumist ja ärge avaldage lõikekettale liigset survet. Ärge tehke liiga sügavaid lõikeid. *Lõikekettale avalduv liigne koormus suurendab lõikeketta kulumist ja kalduvust kinnikiildumiseks, mistõttu suureneb ka tagasilöögi või lihvketta purunemise oht.*
- b. Vältige pöörleva lõikeketta ette ja taha jäävat piirkonda. *Kui juhitte lõikeketast toorikus endast eemale, võib tööriist koos pöörleva kettaga lennata tagasilöögi korral otse Teie suunas.*
- c. Kui lõikeketas kinni kiildub või kui Te töö katkestate, lülitage tööriist välja ja hoidke seda enda kontrolli all seni, kuni lõikeketas seiskub. Ärge kunagi püüde veel pöörlevat lõikeketast lõikejoonest välja tõmmata, kuna vastasel korral võib toimuda tagasilöök. *Tehke kindlaks ja kõrvaldage kinnikiildumise põhjus.*
- d. Ärge lülitage tööriista uuesti sisse, kui see asub veel toorikus. Enne lõikeprotsessi ettevaatlikult jätkamist laske lõikekettal jõuda maksimaalsetele pööretel. *Vastasel korral võib lõikeketas kinni kiilduda, toorikust välja hüpata või tagasilöögi põhjustada.*
- e. Toestage plaadid ja suured toorikud, et vältida kinnikiildunud lõikekettast põhjustatud tagasilöögi ohtu. *Suured toorikud võivad omaenda raskuse all läbi painduda. Toorik tuleb toestada mõlemalt poolt, nii lõikejoone lähedalt kui servast.*
- f. Olge eriti ettevaatlik sisselõigete tegemisel olemasolevatesse seintesse või teistesse varjatud piirkondadesse. *Lõikeketas võib tabada gaasi- või veetorusid, elektrijuhtmeid või teisi objekte, mille tagajärjeks võib olla tagasilööki.*

TÄIENDAVAD OHUTUSNÕUDED LIHVIMISEL

- a. Ärge kasutage liiga suuri lihvpabereid. Järgige tootja juhiseid lihvpaberi suuruse kohta. *Üle lihvtalla ulatuvad lihvpaberid võivad põhjustada vigastusi, samuti lihvpaberi kinnijäämist, rebenemist või tagasilööki.*

TÄIENDAVID OHUTUSNÕUDED POLEERMISEL

- a. Veenduge, et poleerkettal ei oleks lahtiisi, esmajoones kinnitussõõre. Peitke või lühendage kinnitussõõrid. *Lahtised kaasapöörlevad kinnitussõõrid võivad Teie sõrmed kaasa haarata või toorikusse kinni jääda.*

TÄIENDAVID OHUTUSNÕUDED TÖÖTAMISEL TRAATHARJADEGA

- a. Pidage silmas, et traatharjast eraldub ka tavalise kasutuse käigus traaditükke. Ärge koormake traate üle, avaldades neile liigset survet. *Eemalpeaiskuvad traaditükid võivad kergesti tungida läbi õhukeste riiete ja/või naha.*
- b. Kui on soovitatav kasutada kettakaitset, siis tuleb ära hoida kettakaitse ja traatharja kokkupuute võimalus. *Taldrik- ja kaussharjade läbimõõt võib avaldatava surve ja tsentrifugaaljõudude toimel suurenedada.*

KESKKOND

UTILISEERIMINE

Elektrilised tööriistad, lisatarvikud ja pakend tuleks keskkonناسäästlikult ringlusse võtta.

ÜKSNES ELI LIIKMESRIIKIDELE



Ärge käidelda elektrilisi tööriistu koos olmejäätmetega! Vastavalt Euroopa Parlamendi ja nõukogu direktiivile 2002/96/EÜ elektri- ja elektroonikaseadmete jäätmete kohta ning selle ülevõtmisele liikmesriikide õigusesse tuleb kasutusressursi ammendanud elektrilised tööriistad eraldi kokku koguda ja keskkonناسäästlikult ringlusse võtta.

TEHNILISED ANDMED

ÜLDISED ANDMED

Pinge	230-240 V, 50-60 Hz
Voolutugevus	0,5 A
Tühikäigupöörded.....	33 000 p/min
Tsang	0,8 mm, 1,6 mm, 2,4 mm, 3,2 mm

PIKENDUSJUHE

Kasutage üksnes täielikult lahti keritud ja kahjustusteta 5 A pikendusjuhett.

MOOTORI SPETSIFIKATSIOONID

Universaalne seade Multitool on varustatud reguleeritavate pööretega mootoriga. Seade on ette nähtud kasutamiseks pingel 230-240 V, sagedusel 50-60 Hz. Veenduge alati, et pinget ühtib seadme andmesildil toodud pingega (kui andmesildile on märgitud 230 V või 240 V, võib seadme ühendada ka 220 V pingega vooluvõrku).

MONTAAŽ

ENNE TARVIKUTE VÕI TSANGI VAHETAMIST JA SEADME HOOLDAMIST EEMALDAGE ALATI SEADME PISTIK PISTIKUPESAST.

ÜLDTEAVE

Dremel Multitool on seade ülisuurt täpsust nõudvate tööde tegemiseks. Dremel'i tarvikute ja otsakute lai valik võimaldab seadet kasutada väga erinevateks töödeks. Need hõlmavad näiteks lihvimist, freesimist, graveerimist, lõikamist, puhastamist ja poleerimist. JOONIS 2

JOONIS 1

- A. Kinnitusmutter
- B. Kinnitustsang
- C. Korpuse kate
- D. Kinnituskeere
- E. Spindililukustusnupp
- F. Lülitri sisse-/väljalülitamiseks ja pöörete reguleerimiseks
- G. Harjakate (mõlemapoolne)
- H. Ventilatsioonivad
- i. Riputusseadis
- J. Kinnitustsangi võti
- K. Toitejuhe

KINNITUSTSANGID

Dremel'i Multitool tarvikute saba läbimõõt on erinev. Erinevate läbimõõtude jaoks on saadaval neli kinnitustsangi. Kinnitustsangi suurus on tuvastatav tsangi tagaküljel asuvate rõngaste abil.

JOONIS 3

- L. 3,2 mm kinnitustsang ilma rõngata (480)
- M. 2,4 mm kinnitustsang kolme rõngaga (481)
- N. 1,6 mm kinnitustsang kahe rõngaga (482)
- O. 0,8 mm kinnitustsang ühe rõngaga (483)

MÄRKUS. Mõned Multitool komplektid ei sisalda kõiki kinnitustsange. Kinnitustsangid on lisatarvikutena eraldi saadaval.

Kasutage alati tarviku saba läbimõõduga sobivat kinnitustsangi. Ärge kunagi suruge suurema läbimõõduga tarviku saba jõuga väiksemasse kinnitustsangi.

KINNITUSTSANGIDE VAHETAMINE

JOONIS 4

- P. Spindililukustusnupp
- Q. Kinnitustsangi võti
- R. Pingutada
- S. Vabastada
- T. Kinnitusmutter

1. Vajutage spindililukustusnupp alla, hoidke seda all ja keerake tarviku saba käega kinni. Ärge kunagi käsitsese spindililukustusnuppu siis, kui seade töötab.
2. Hoidke spindililukustusnuppu all, keerake lahti kinnitusmutter ja eemaldage see. Vajaduse korral kasutage kinnitustsangi võtit.
3. Tõmmake kinnitustsang spindililt maha.

4. Asetage soovitud suurusega tsang täielikult spindlisse ja keerake see kinnitusmutriga kergelt kinni. Ärge pingutage mutrit kunagi täielikult kinni, kui tarvikut ei ole paigaldatud.

TARVIKUTE VAHETAMINE

JONNIS 5/6

U. Spindlilukustusnupp

1. Vajutage spindlilukustusnupp alla, hoidke seda all ja keerake tarviku saba käega kinni. Ärge kunagi käsitsege spindlilukustusnupu siis, kui seade töötab.
2. Hoidke spindlilukustusnupu all, keerake lahti kinnitusmutter (väge eemaldage seda). Vajaduse korral kasutage kinnitustsangi võtit.
3. Lükake tarviku saba täielikult tsangi.
4. Hoidke spindlilukustusnupu all ja keerake kinnitusmutrit käega, kuni tsang haakub tarviku sabaaga.
MÄRKUS. Järgige tingimata ka asjaomase tarviku kasutusjuhiseid ja ohutusnõudeid.

Kasutage üksnes Dremeli poolt testitud kvaliteetseid tarvikuid.

TÖÖJUHISED

KÄSITSEMINE

Esmlt peaksite omandama seadme suhtes teatud tunnetuse. Võtke seade kätte ja tunnetage selle kaalu ja raskuskeset. Pöörake tähelepanu korpuse kujule. See lubab hoida seadet käes nagu sullepead või pliatsit. Ainulaadne pehmendi seadme otsas tagab mugava käsitsemise ja parema kontrolli.

Hoidke seadet alati oma näost eemal. Ebasoodsatel asjaoludel võivad vigastatud tarviku osad kõrgetel pööretel eralduda ja eemale paiskuda.

Hoidke seadet nii, et Te ei kata käega kinni seadme ventilatsiooniasiasid. Ventilatsiooniasiasade kinnikatmise korral võib mootor üle kuumeneda.

OLULINE! Testige seadet kõigepealt proovidetaillil, et saada ülevaadet sellest, kuidas seade kõrgetel pööretel käitub. Parimad tulemused saavutate siis, kui kasutate õiget pöörete arvu ja sobivad Dremeli tarvikuid ning otsakuid. Võimaluse korral ärge rakendage liigset survet. Viige tarvik ettevaatlikult tööpinnaga kokku ja puudutage õrnalt kohta, kust soovite töötlemist alustada. Keskenduge tarviku juhtimisele mõõda tööpinda, rakendades seadmele vaid väikest survet. Laste tarvikul endal töö ära teha.

Üldjuhul saavutate paremaid tulemusi siis, kui juhite seadet üle pinna mitte ühe, vaid mitu korda. Pealegi on Teil mõõduka surve korral seade paremini kontrolli alla ning vigade oht on väiksem. Täpse töö tegemiseks tuleb seadet hoida nagu pliatsit pöidla ja nimetissõrme vahel. JONNIS 7

Golfikepimeetod on ette nähtud kasutamiseks raskemate tööde, näiteks lihvimise ja lõikamise puhul. JONNIS 8

PÖÖRETE ARV

Käesolev seade on suurte pööretega töötav universaalne tööriist. Pöörete arv jääb vahemikku 10 000 kuni 35 000 p/min. Töödeldava materjali ja tarviku jaoks õige pöörete arvu valikuga

saavutate paremaid lõpptulemusi. Parimate tulemuste saavutamiseks reguleerige pöörded antud töö jaoks sobivaks.

Kasutatava tarviku jaoks õige pöörete arvu valikuks testige tarvikut kõigepealt proovidetaillil.

MÄRKUS. Pöörete arvu mõjutab pinge kõikumine. Väiksem pinge põhjustab pöörete arvu vähenemise, seda eelkõige madalaima seadistuse puhul. Kui seade tundub töötavat aeglaselt, suurendage vastavalt pöörete arvu. Madalaima seadistuse puhul ei pruugi seade käivituda, kui pinge on alla 220 V. Sellisel juhul suurendage töötamise alustamiseks pöörete arvu.

300-seeria Multitooli pöörete arvu regulaator on varustatud astmetega. Kasutatava materjali jaoks sobiva pöörete arvu ja tarviku leiata tabelist lk 4-6.

A) Kasutamiseks kipskartongi puhul. Parimad tulemused saavutate pööretel 33 000 p/min.

B) Kasutamiseks seinä- ja põrandaplaatide puhul. Kasutage seadistust 6-8.

*) pöörete arv kergeteks lõigeteks. Ettevaatust! Sügavate vuukide puhul võivad tekkida põletusjälgid ja freesitera võib üle kuumeneda.

□) sõltuvalt lõikesuunast, vaadelduna kiujooksu suhtes.

Enamikku töid saab teha maksimaalsel pööretel. Mõned materjalid (teatud plastid ja metallid) võivad aga kõrgetel pööretel tekkiva kuumuse tõttu kahjustuda ja neid tuleks seetõttu töödelda madalamatel pööretel. Madalamad pöörded (15 000 p/min või vähem) sobivad üldjuhul poleerimiseks viidist poleerimistarvikutega. Harjadega töötlemisel tuleb samuti valida madalamad pöörded, et vältida harjaste ja traatide lahtitulekut. Ka madalamatel pööretel tuleks töötada liigse surveeta. Kõrgemad pöörded sobivad kõva puidu, metalli ja klaasi töötlemiseks, samuti puurimiseks, lõikamiseks, freesimiseks, vormimiseks ja soonte lõikamiseks puitu. Regulaatori asendid vastavad järgmistele pööretetele:

Regulaatori asend	Pöörete arv
1-2	10 000-14 000 p/min
3-4	15 000-19 000 p/min
5-6	20 000-24 000 p/min
7-8	25 000-29 000 p/min
9-10	30 000-33 000 p/min

Mõned pöörete arvu kohta käivad soovitusused:

- Plaste ja teisi madalama sulamispunkti materjale tuleks töödelda madalamatel pööretel.
- Traatharjaga poleerida, peenlihvida ja puhastada tohib pööretel kuni 16 000 p/min, et vältida harja ja materjali kahjustumist.
- Lõiketöid puudus tuleb teha kõrgetel pööretel.
- Lõiketöid rauas ja terases tuleb teha kõrgetel pööretel.
- Asjaolu, et suure pöörete arvuga terasfrees hakkab vibreerima, näitab tavaliselt seda, et frees töötab liiga aeglaselt.
- Alumiiniumi, vase-, plii-, tsingisulameid ja tina võib sõltuvalt konkreetses tööst töödelda erinevatel pööretel. Määrige lõiketarvikut parafiini või mõne muu sobiva määrdega (mitte veega), et vältida laastude kinnikleupumist tarviku lõikeservade külge.

MÄRKUS. Seadmele avaldatav suurem surve ei paranda töö tulemust. Soovitud tulemuse saavutamiseks kasutage mõnda teist tarvikut või reguleerige pöörete arvu.

HOOLDUS

Vigastuste ja/või ohtude ennetamiseks tohivad hooldus- ja parandustööd teha ainult volitatud isikud. Soovitame lasta hooldus- ja parandustööd teha üksnes Dremeli volitatud parandustöökojas. Et vältida juhuslikust sisselülitamisest põhjustatud vigastusi ja elektrilööke, tuleb seade enne hooldus- ja parandustööde teostamist alati välja lülitada.

TURVAHARJAD

Seadme harjad on pikaealised ja vastupidavad. Et harjade kasutamisega veelgi pikendada, tuleks seadme enne esmakordset kasutamist umbes viis minutit tühikäigul töötada lasta. See paneb harjad korrektselt tööle ja pikendab seadme kasutusiga. Mootori tõhusa töö tagamiseks tuleks harjad iga 40-50 töötunni järel üle vaadata.

LT

Kulunud harjadega seadme kasutamine tekitab mootoril püsivad kahjustused. Kasutage üksnes Dremeli originaalharju. Kontrollige harju iga 40-50 töötunni järel. Kui seadme töös esineb tõrkeid, seadme võimsus väheneb või seade teeb ebahariliku müra, kontrollige harju ja vahetage need vajaduse korral välja. Harjade kontrollimisel ja väljavahetamisel toimige järgnevalt:

1. Tõmmake pistik pistikupesast välja ja asetage seade puhtale tööpinnale. Harjakatte eemaldamiseks kasutage kruvikeerajana kinnitustsangi võtit. JOONIS 9
2. Tõmmake harjade küljes olevat vedru ja eemaldage harjad seadmest. Kui hari on lühem kui 3 mm või kokkupuutekohast kare või ebatasane, tuleb see välja vahetada. Harjad tuleb alati paarina välja vahetada. JOONIS 10
3. Kui üks hari on kulunud, tuleb seadme tõhusa töö tagamiseks välja vahetada mõlemad harjad. Vajutage vedrulle, võtke kulunud hari välja ja asendage see uuega.
4. Asetage turvahari ja vedru tagasi seadmisse. Hari fikseerub seadmisse vaid ühes asendis.
5. Asetage kohale harjakate ja keerake see päripäeva kinni. Kasutage kinnitustsangi võtit, kuid ÄRGE PINGUTAGE KATET LIIGA TUJEVASTI KINNI! Pärast harjade vahetamist peaks seade enne kasutamist töötama viis minutit maksimaalsetel tühikäigupööretel. See tagab harjade tõhusa töö ja pikendab nende kasutusiga. Samuti pikendab see seadme kasutusiga.

SEADME PUHASTAMINE

ENNE SEADME PUHASTAMIST EEMALDAGE ALATI SEADME PISTIK PISTIKUPESAST

Ventilatsioonivavad ja lülitid peavad olema alati puhtad. Ärge torgake puhastamiseks avadesse mingeid esemeid. Seadet võib puhastada suruõhuga. Suruõhuga puhastades kandke alati kaitseprille.

Dremeli seadet ei ole vaja määrida.

Teatud puhastusvahendid ja lahused võivad seadme plastdetailide kahjustada. Nendeks on näiteks bensiin, süsivesiniktetrakloriid, kloor või ammoniaak.

Pehmendiga käepideme ala soovitame puhastada pehme lapiga. Väga määrdunud kohti tuleb vajaduse korral üle pühkida mitu korda.

TEENINDUS JA GARANTII

Käesoleva DREMELI toote suhtes kehtib garantii vastavalt kasutusriigis kehtivatele nõuetele. Garantii ei laiene normaalsest kulumisest, ülekoormusest ja seadme ebaõigest kasutamisest põhjustatud kahjustustele.

Kaabuste korral saatke palun *lahtvõtmata seade* koos ostukviitungiga lähimasse DREMELI lepingulisse töökotta.

DREMELI KONTAKTINFO

Lisateavet Dremeli kohta leiata veebisaidilt www.dremel.com

Dremel Europe, P.O. Box 3267, 4800 DG Breda, Holland

ORIGINALIŲ INSTRUKCIJŲ VERTIMAS



⚠️ ĮSPĖJIMAS PERSKAITYKITE VISAS INSTRUKCIJAS.

Jeigu nesilaikysite visų toliau išvardytų instrukcijų, galite gauti elektros smūgį, sukelti gaisrą ir (arba) sunkiai susižeisti. Terminas „elektrinis įrankis“ visuose toliau nurodytuose įspėjimuose reiškia jūsų naudojamą elektrinį įrankį, prijungtą (laidu) prie elektros tinklo.

ISSAUGOKITE ŠIAS INSTRUKCIJAS

1. DARBO VIETA


- a. Darbo vieta turi būti švari ir gerai apšviesta. *Netvarkingose ir neapšviestose vietose gali įvykti nelaimingas atsitikimas.*
- b. Elektrinių įrankių nenaudokite sprogioje aplinkoje. Pavyzdžiui ten, kur yra greitai užsiliepsnojančių skysčių, dujų arba dulkių. *Naudojant elektrinius įrankius, jie kibirkščiuoja, todėl dulkės arba susikaupę garai gali užsiliepsnoti.*
- c. Dirbdami su elektriniu įrankiu neleiskite prisitarti vaikams ir pašaliniams asmenims. *Jeigu jūs dėmesys bus blaškomas, galite nebesuvaldyti įrankio.*

2. ELEKTROSAUGA

- a. Elektrinio įrankio kištukai turi atitikti elektros lizdą. Draudžiama bet koku būdu keisti kištuką. Dirbdami su žemintais elektriniais įrankiais nenaudokite kištukų adapterių. *Elektros smūgio tikimybę sumažinsite naudodami nepakeistus kištukus ir juos atitinkančius lizdus.*
- b. Stenkitės neprišiliesti prie žemintų paviršių, pavyzdžiui, vamzdžių, radiatorių, viryklių ar šaldytuvų. *Jeigu jūsų kūnas bus žemintas, elektros smūgio tikimybė bus didesnė.*
- c. Saugokite elektrinius įrankius nuo lietaus ir drėgmės. *Jeigu į elektrinį įrankį pateks vandens, padidės elektros smūgio tikimybė.*
- d. Nenaudokite laido ne pagal paskirtį. Jokiu būdu elektrinio įrankio neneškite, netempkite ir iš lizdo netraukite už laido. Laidą saugokite nuo karščio, alyvos, aštrių briaunų ar judančių dalių. *Elektros smūgio tikimybė padidėja, jei naudojamas pažeistas arba susimzges laidas.*

- e. Jeigu elektrinį įrankį naudojate lauke, naudokite darbu lauke skirtą ilginuovą. *Kai naudojamas darbu lauke skirtas laidas, sumažėja elektros smūgio tikimybė.*

3. ŽMONIŲ SAUGA

- a. Naudodami elektrinį įrankį būkite budrūs, stebėkite, ką darote, ir vadovaukitės sveiku protu. Elektrinio įrankio nenaudokite, jeigu esate pavargę, apsaivaigė nuo narkotikų, alkoholio ar vaistų. *Tereikia tik akimirksniai nukreipti dėmesį dirbant su elektriniais įrankiais ir galite sunkiai susižeisti.*
- b.  Naudokite saugos priemones. Būtinai užsidėkite akių apsaugą. *Tokios saugos priemonės kaip kaukė nuo dulkių, batai neslidžiais padais, apsauginis šalmas ar klausos apsaugos priemonės, naudojamos atitinkamomis sąlygomis, sumažins traumų tikimybę.*
- c. Saugokitės, kad neįjungtumėte prietaiso netyčia. Prieš įjungdami į lizdą patikrinkite, ar jungiklis yra padėtyje „off“. *Jeigu elektrinį įrankį nešite ant jungiklio uždėję pirštą arba bandysite įrankį prijungti prie elektros tinklo, kai jungiklis yra padėtyje „on“, galite susižeisti.*
- d. Prieš įjungdami elektrinį įrankį, nuimkite visus reguliavimo raktus ir veržliaraktčius. *Jeigu ant besisukančios elektrinio įrankio dalies bus paliktas uždėtas veržliaraktis arba raktas, galite susižeisti.*
- e. Nepervertinkite savo jėgų. *Visada stovėkite tvirtai ir išlaikykite pusiausvyrą. Taip galėsite geriau suvaldyti įrankį nenumatytose situacijose.*
- f. Vilkėkite tinkamą aprangą. *Nevilkėkite plačių drabužių ir papuošalų. Saugokitės, kad judančios dalys neprisilietų prie plaukų, drabužių ar pirštinių. Plačius drabužius, papuošalus ar ilgus plaukus gali įtraukti besisukančios dalys.*
- g. Jei yra numatyta galimybė prijungti dulkių nusiurbimo ar surinkimo įrenginius, visada įsitinkite, ar jie yra prijungti ir ar tinkamai naudojami. *Naudojant dulkių nusiurbimo įrenginius sumažėja dulkių keliamas pavojus.*

4. ELEKTRINIO ĮRANKIO NAUDOJIMAS IR PRIEŽIŪRA

- a. Neperkraukite prietaiso. Naudokite jūsų darbu tinkamą elektrinį įrankį. *Su tinkamu elektriniu įrankiu darbą atlikite geriau ir saugiau, jei naudosite jį gamintojo numatytoje galios diapazone.*
- b. Elektrinio įrankio nenaudokite, jei neveikia jungiklis. *Bet kuris elektrinis įrankis, kurio negalima valdyti jungikliu, yra pavojingas ir jį būtina remontuoti.*
- c. Prieš reguliuodami, keisdami priedus arba padėdami į šalį elektrinį įrankį, išjunkite kištuką iš elektros lizdo. *Šios prevencinės saugos priemonės sumažina netyčinio elektrinio įrankio įjungimo riziką.*
- d. Nenaudojamus elektrinius įrankius laikykite vaikams nepasiekiamoje vietoje, taip pat neleiskite asmenims, nemokantiems dirbti su elektriniu įrankiu arba nesuspapžinusiems su šiomis instrukcijomis, naudotis elektriniu įrankiu. Elektriniai įrankiai yra pavojingi, kai juos naudoja neapmokyti asmenys.
- e. Prižiūrėkite elektrinius įrankius. Patikrinkite, ar judančios dalys nepasislinkusios arba neįstrigusios, ar nėra sulūžusių dalių ar kitų gedimų, kurie gali turėti įtakos elektrinio įrankio

veikimui. Pastebėję gedimų, elektrinį įrankį sutvarkykite prieš naudodami. *Daugybė nelaimingų atsitikimų įvyksta dėl netvarkingų elektrinių įrankių.*

- f. Pjovimui skirti įrankiai turi būti aštrūs ir švarūs. *Jeigu pjovimo įrankiai su aštriomis pjauamosiomis briaunomis tinkamai prižiūrėti, jie rečiau stringa ir juos lengviau valdyti.*
- g. Elektrinį įrankį, jo priedus, dalis ir pan. naudokite laikydamiesi šių instrukcijų ir pagal konkrečiam elektriniam įrankiui numatytą paskirtį, atsižvelgdami į darbo sąlygas ir atliekamą darbą. *Jeigu elektrinis įrankis naudojamas ne pagal paskirtį, gali susidaryti pavojinga situacija.*

5. TECHNINIS APTARNAVIMAS

- a. Elektrinį įrankį turi remontuoti tik kvalifikuoti specialistai ir naudoti tik originalias atsargines dalis. *Taip galima garantuoti, jog elektrinis įrankis išliks saugus naudoti.*

SAUGOS INSTRUKCIJOS VISIEMS NAUDOJIMO BŪDAMS

BENDROS SAUGOS NUORODOS, SUSIJUSIOS SU VISAIŠ ŠLIFAVIMO, POLIRAVIMO IR ABRAZYVINIO PJOVIMO DARBAIS

- a. Šis elektrinis įrankis skirtas naudoti šlifavimui (įskaitant švitrinui popieriumi ir vieliniu šepėčiu), poliravimui bei abrazyviniam pjovimui. Perskaitykite visas įspėjamasias saugos nuorodas, instrukcijas, iliustracijas ir specifikacijas, pateikiamas su šiuo elektriniu įrankiu. *Jeigu nesilaikysite visų toliau išvardytų instrukcijų, galite gauti elektros smūgį, sukelti gaisrą ir (arba) sunkiai susižeisti.*
- b. Nenaudokite priedų, kurie nėra specialiai sukurti ir rekomenduojami įrankio gamintojo. *Tai, kad priedą galima pritvirtinti prie jūsų elektrinio įrankio, dar nereiškia, kad jį saugu naudoti.*
- c. Nominalusis priedo sukimosi greitis turi būti ne mažesnis, nei didžiausias ant elektrinio įrankio nurodytas sukimosi greitis. *Priedai, besisukantys greičiau nei jų leistinas nominalusis greitis, gali nulėkti nuo įrankio.*
- d. Pasirinkto priedo išorinis skersmuo ir storis turi atitikti jūsų elektrinio įrankio galingumą. *Netinkamų matmenų priedus gali būti sunku tinkamai uždengti apsauginiais įtaisais bei valdyti.*
- e. Šlifavimo diskai, jungės, šlifavimo žiedai ar kiti darbo įrankiai turi tiksliai tikti elektrinio prietaiso sukliui. *Darbo įrankiai, kurie tiksliai netinka sukliui, sukasi netolygiai, labai stipriai vibruoja ir gali tapti nebevaldomi.*
- f. Nenaudokite pažeistų darbo įrankių. Prieš kiekvieną naudojimą patikrinkite darbo įrankius, pvz., šlifavimo diskus – ar jie nėra aplūžinęję ir įtrūkę, šlifavimo žiedus – ar jie nėra įtrūkę, susidėvėję ir labai nudilę, vielinius šepėčius – ar jų vielutės nėra atsilaisvinusios ar nutrūkusios. Jei elektrinis prietaisas ar darbo įrankis nukrito iš didesnio aukščio, patikrinkite, ar jis nėra pažeistas, arba naudokite kitą, nepažeistą, darbo įrankį. Patikrinę ir sumontavę darbo įrankį pasirūpinkite, kad nei jūs, nei greita esantys asmenys nebūtų darbo įrankio sukimosi plokštumoje, ir leiskite elektriniam

prietaisui vieną minutę veikti didžiausiu sūkių skaičiumi.

Jeį darbo įrankis pažeistas, per šį bandomąjį laiką jis turėtų subyrėti.

- g. Naudokite asmens saugos priemones. Priklausomai nuo to, kam naudojate įrankį, užsidėkite veido apsaugą arba apsauginius akinius. Jeigu reikia, užsidėkite kaukę nuo dulkių, klausos apsaugą, pirštines ir prijuoste, galinčią apsaugoti nuo smulkių abrazyvinių arba apdirbamo gaminio fragmentų. *Akys turi būti apsaugotos nuo aplink lekiančių atplaišų, atsirandančių atliekant įvairius darbus. Kaukė nuo dulkių arba respiratorius turi nepraleisti dirbant susidarančių smulkių dalelių. Jeigu ilgai dirbsite esant intensyviam triukšmui, galite apkursti.*
- h. Pasirūpinkite, kad pašaliniai asmenys būtų saugiam atstume nuo jūsų darbo vietos. Prie jūsų darbo vietos besitarianintis žmogus turi dėvėti asmens saugos priemones. *Apdirbamo gaminio arba sulūžusio priedo fragmentai gali nusukti į šalį ir sužaloti net ir tuos, kurie yra šiek tiek toliau nuo darbo vietos.*
- i. Jei yra tikimybė, jog dirbant įrankis gali kliudyti paslėptą laidą, prietaisą laikykite tik už izoliuotų paviršių. *Dėl kontakto su laidininku, kuriuo teka el. srovė, prietaiso metalinėse dalyse gali atsirasti įtampa ir sukelti elektros smūgio pavojų naudotojui.*
- j. Laidą laikykite atokiai nuo besisukančio priedo. *Jeigu prarasite kontrolę, laidas gali būti nupjautas arba užsikabinti, o jūsų ranką arba plaštaką gali įtraukti besisukantis priedas.*
- k. Elektrinio įrankio nepadėkite tol, kol jo priedas visiškai nesustos. *Besisukantis priedas gali užkliūti už paviršiaus ir elektrinis įrankis išsprūs jums iš rankų.*
- l. Neįjunkite elektrinio įrankio, kai jį nešatės šalia. *Netyčia prisilietus prie besisukančio priedo, jis gali įtraukti jūsų drabužius, priedas gali įsirežti jums į kūną.*
- m. Nuolat valykite elektrinio įrankio oro angas. *Variklio ventiliatorius į vidų įtraukia dulkes, o per didelę metalo dulkių sankaupą gali sukelti įsielektrinimo pavojų.*
- n. Elektrinio įrankio nenaudokite šalia greitai užsiliepsnojančių medžiagų. *Jos gali užsidegti nuo kibirkščių.*
- o. Nenaudokite priedų, kuriems reikalingi aušinimo skysčiai. *Jeigu bus naudojamas vanduo arba kiti aušinimo skysčiai, kyla elektros smūgio arba mirtinos elektros traumos pavojus.*
- p. **Nedirbkite su medžiagomis, kurių sudėtyje yra asbesto** (asbestas laikomas kancerogeniška medžiaga).
- q. **Imkitės apsaugos priemonių, kai darbo metu gali atsirasti sveikatai kenksmingų, lengvai užsidegančių ar sprogių dulkių** (kai kurios dulkės laikomos kancerogeniškomis); dėvėkite kaukę nuo dulkių ir, jeigu galima prijuogti, naudokite dulkių/pjuvenų ištraukimo įrangą.

ATATRANKOS JŪGOS IR SUSIJĘ ĮSPŪJIMAI

Atatranka yra staigi reakcija, atsirandanti, kai besisukantis darbo įrankis, pvz., šlifavimo diskas, šlifavimo žiedas, vielinis šepetys ar kt., ruošinyje įstringa ar užsiblokuoja ir todėl netikėtai sustoja. Todėl elektrinis prietaisas gali nekontroliuojamai atšokti nuo ruošinio priešinga darbo įrankio sukimuisi kryptimi. Pvz., jei ruošinyje įstringa ar yra užblokuojamas šlifavimo diskas, disko briauna, kuri yra ruošinyje, gali išlūžti ar sukelti atatranką. Tada šlifavimo diskas, priklausomai nuo jo sukimosi krypties blokavimo vietoje, pradeda judėti link dirbančiojo arba nuo jo.

Tada šlifavimo diskas gali net nulūžti. Atatranka yra netinkamo elektrinio prietaiso naudojimo ar gedimo pasekmė. Jos galite išvengti, jei imsitės atitinkamų, žemiau išvardintų atsargumo priemonių.

- a. Tvirtai laikykite elektrinį įrankį. Jūsų kūno ir rankos padėtis turi būti tokia, kad galėtumėte priešintis atatrankos jėgoms. Jei yra papildoma rankena, visada ją naudokite, tada galėsite suvaldyti atatrankos jėgas bei jungiant prietaisą atsirandantį reakcijos jėgų momentą. *Dirbantysis, jei imsis tinkamų atsargumo priemonių, gali suvaldyti reakcijos jėgas atatrankos metu.*
- b. Niekada nelaikykite rankos prie besisukančio priedo. *Priedo atatrankos smūgis gali kliūti rankai.*
- c. Stenkitės, kad jūsų kūnas nebūtų ten, kur esant atatrankai judėtų elektrinis įrankis. *Dėl atatrankos įrankis judės priešinga disko sukimosi užkliuvimo taške kryptimi.*
- d. Labai atidžiai šlifukite kampus, aštrius kraštus ir pan. Stenkitės, kad priedas nešokinėtų ir neužkliūtų. *Besisukantis priedas gali užkliūti už kampų, aštrių kraštų ar dėl šokinėjimo, todėl jūs galite prarasti įrankio kontrolę arba pajusti atatranką.*
- e. Nenaudokite pjovimo grandinių, skirtų medienai drožti ar kitokių dantųjų diskų. *Tokie darbo įrankiai dažnai sukelia atatranką arba elektrinis prietaisas tampa nevaldomas.*

SPECIALIOS ĮSPAJAMOSIOS NUORODOS ATLIĖKANTIEMS ŠLIFAVIMO IR PJOVIMO DARBUS

- a. Naudokite tik tuos diskus, kurie rekomenduojami jūsų elektriniam įrankiui, ir specialią apsaugą, skirtą pasirinktam diskui. *Diskų, kurie nėra skirti šiam elektriniam įrankiui, negalima tinkamai uždengti apsauginiais įtaisais ir jie nėra saugūs.*
- b. Šlifavimo įrankius leidžiama naudoti tik pagal rekomenduojamą paskirtį. Pvz., niekada nešlifukite pjovimo disko šoniniu paviršiumi. *Pjovimo diskai yra skirti medžiagai pašalinti pjaujamąja briauna. Nuo šoninės apkrovos šie šlifavimo įrankiai gali sulūžti.*
- c. Visada naudokite nepažeistas diskų junges, kurių dydis ir forma yra tinkama pasirinktam diskui. *Tinkamos disko jungės prilaiko diską ir taip sumažina disko sulūžimo tikimybę. Pjovimo diskų jungės gali skirtis nuo šlifavimo diskų jungių.*
- d. Nenaudokite sudilusių diskų, prieš tai naudotų su didesniais prietaisais. *Šlifavimo diskai, skirti didesniems elektriniams prietaisams, nėra pritaikyti dideliame mažųjų prietaisų išvystomam sūkių skaičiui ir gali sulūžti.*

PAPILDOMOS SPECIALIOS ĮSPAJAMOSIOS NUORODOS ATLIĖKANTIEMS PJOVIMO DARBUS

- a. Venkite užblokuoti pjovimo diską ir nespauskite jo per stipriai prie ruošinio. Nemėginkite atlikti pernelyg gilių pjūvių. *Per stipriai prispaudus pjovimo diską, padidėja jam tenkanti apkrova ir atsiranda didesnė tikimybė jį pakreipti bei užblokuoti pjūviuje, vadinas padidėja atatrankos ir disko lūžimo rizika.*
- b. Stenkitės, kad jūsų kūnas nebūtų vienoje linijoje su besisukančiu disku – prieš jį ar už jo. *Kai diskas pjovimo taške juda tolyn nuo jūsų kūno, galima atatranka gali nusviesti besisukantį diską ir elektrinį įrankį tiesiai į jus.*

- c. Kai diskas įstringa arba pjovimą reikia nutraukti dėl kitos priežasties, išjunkite elektrinį įrankį ir laikykite elektrinį įrankį jo nejudindami, kol diskas visiškai sustos. Nebandykite pjovimo disko ištraukti iš įpjovos, kai diskas sukasi, nes gali atsirasti atatranka. *Įvertinkite, kodėl diskas įstringa, ir imkitės atitinkamų priemonių strigimui išvengti.*
- d. Nepradėkite pjauti, kai diskas yra apdirbamame ruošinyje. Palaukite, kol diskas pradės sukintis reikiamu greičiu, ir tada vėl atsargiai įstatykite jį į įpjovą. *Jeigu elektrinis įrankis bus jungiamas, kai diskas yra įpjovoje, diskas gali įstrigti, iššokti arba atsirasti atatranka.*
- e. Prilaikykite plokštes ir kitus didelius apdirbamus gaminius, nes tai sumažins disko užkliuvimo arba atatrankos tikimybę. *Dideli apdirbami gaminiai nuo savo svorio gali įlįkti. Atramos turi būti dedamos po apdirbamu gaminiu prie pjovimo linijos ir apdirbamo gaminio krašto iš abiejų disko šonų.*
- f. Ypač atsargiai darykite įpjovas esamose sienose ar kitose aklinoose vietose. *Besisukverbiančios per paviršius diskas gali nupjauti dujų arba vandens vamzdžius, elektros laidus arba palesti objektus, dėl kurių gali atsirasti atatranka.*

ĮSPAJAMOSIOS SAUGOS NUORODOS, ATLIĖKANTIEMS ŠLIFAVIMO DARBUS, NAUDOJANT ŠLIFAVIMO POPIERIŲ

- a. Šlifudami nenaudokite per didelio šlifavimo disko popieriaus lapelio. Pasirinkdami šlifavimo popierių laikykitės gamintojo rekomendacijų. *Dėl per didelio šlifavimo popieriaus disko, kuris išsikiša už šlifavimo pado, atsiranda įplyšimo pavojus, šlifavimo popieriaus diskas gali būti nuplėštas arba užkliūti, atsirasti atatranka.*

ĮSPAJAMOSIOS SAUGOS NUORODOS, ATLIĖKANTIEMS POLIRAVIMO DARBUS

- a. Nepalikite kabančių poliravimo gaubtelio dalių, ypač tvirtinamųjų raištelių, jei reikia, juos sutrumpinkite. *Kabantys besisukantys tvirtinamieji raišteliai gali pagriebti Jūsų pirštą ar įstrigti ruošinyje.*

SPECIALIOS ĮSPAJAMOSIOS NUORODOS DIRBANTIEMS SŪ VIELINIAIS ŠEPEČIAIS

- a. Nepamirškite, kad net ir naudojant įprastai, nuo šepečio byra vielos šereliai. Per stipriai nespauskite šepečio. *Vielos šereliai gali nesunkiai pralįsti pro plonus drabužius ir (arba) įsmigti į odą.*
- b. Jeigu vielinį šepetį rekomenduojama naudoti su apsauga, patikrinkite, kad apsauga nesiliestų prie vielinio disko arba šepečio. *Dėl darbinės apkrovos ir išcentrinų jėgų gali padidėti vielinio disko arba šepečio skersmuo.*

APLINKA

UTILIZAVIMAS

Įrenginys, jo priedai ir pakuotė turi būti rūšiuojami ir atiduodami ekologiniam perdirbimui.

TIK ES VALSTYBŪMS NARŪMS



Elektrinių įrankių neišmeskite kartu su buitinėmis šiukšlėmis!

Remiantis ES direktyva 2002/96/EB dėl elektros ir elektroninės įrangos atliekų ir jos perkėlimu į nacionalinę teisę, nebetinkami naudoti elektriniai įrankiai turi būti surenkami atskirai ir utilizuojami aplinkai nekenksmingu būdu.

TECHNINIAI DUOMENYS

Bendrieji techniniai duomenys

Nominali įtampa	230-240 V, 50-60 Hz
Nominali srovė	0,5A
Tuščiosios eigos sukčių sk.	33 000/min
Suspaužiamosios įvorės skersmuo	0,8mm, 1,6mm, 2,4mm, 3,2mm

ILGINAMIEJI LAIDAI

Naudokite visiškai išvyniotus ir saugius ilginamuosius laidus, skirtus 5 A stiprumo srovei.

VARIKLIO TECHNINIAI DUOMENYS

Šis daugiavandinis įrankis yra varomas kintamų sukčių greitaeigių varikliu. Jis skirtas darbui esant 230-240 V ir 50-60 Hz. Kiekvieną kartą patikrinkite, ar maitinimo įtampa yra tokia pati, kaip nurodyta įrankio duomenų lentelėje (230V arba 240V įtampos įrankius galima jungti į 220V tinklą).

SURINKIMAS

PRIEŠ KEISDAMI PRIEDUS, SUSPAUŽIAMNŠIAS ĮVORES AR PRIEŠ PRADŪDAMI PRIETAISO TECHNINŪS PRIEŽIŪROS DARBUS, VISADA JĮ IŠJUNKITE IŠ ELEKTROS TINKLO.

BENDROJI DALIS

"Dremel" daugiavandinis įrankis - tai aukštos kokybės tikslus įrankis, kurį galima naudoti detaliam ir sudėtingam darbui atlikti. Platus "Dremel" priedų ir antgalių asortimentas jums leidžia daryti pačius įvairiausių darbus. Galite šliufovi švitrinio popieriumi, raižyti ir graviruoti bei frezuoti, pjauti, valyti ir poliruoti. 2 PAV.

1 PAV.

- Prispaužiamoji veržlė
- Suspaužiamoji įvorė
- Korpuso gaubtas
- Jungtis pagalbiniam įtaisams tvirtinti
- Suklio fiksavimo mygtukas
- Jungiklis (On/Off) ir sukčių skaičiaus reguliatorius
- Anglinių šepetėlių dangtelis (abiejose pusėse)
- Vėdinimo angos

- I. Įtaisas įrankiui pakabinti
- J. Suspaudžiamosios įvorės raktas
- K. Laidas

SUSPAUDŽIAMOSIOS ĮVORŪS

"Dremel" daugiafunkcinio įrankio priedų koteliai yra skirtingo skersmens. Šiems skirtingiems skersmenims skirtos keturios suspaudžiamosios įvorės. Suspaudžiamosios įvorės dydį galima atpažinti pagal žiedus ant suspaudžiamosios įvorės atvirkščios pusės.

3 PAV.

- L. 3,2 mm įvorė be žiedo (480)
- M. 2,4 mm įvorė su trimis žiedais (481)
- N. 1,6 mm įvorė su dviem žiedais (482)
- O. 0,8 mm įvorė su vienu žiedu (483)

PASTABA: kai kuriuose daugiafunkcinio įrankio rinkiniuose gali nebūti visų keturių suspaudžiamųjų įvorių. Suspaudžiamąsias įvoves galima įsigyti atskirai.

Visada naudokite priedo kotelio skersmeniui tinkančią suspaudžiamąją įvorę. Niekada nekiškite jėga didelio skersmens kotelio į mažesnę suspaudžiamąją įvorę.

ĮVORIŲ KEITIMAS

4 PAV.

- P. Suklio fiksavimo mygtukas
- Q. Suspaudžiamosios įvorės raktas
- R. Užveržti
- S. Atleisti
- T. Prispaudžiamoji veržlė

1. Pastumkite suklio fiksavimo mygtuką į priekį, nuspauskite ir sukite suklij ranka, kol jis užsifiksuos. Suklio fiksavimo mygtuko nespauskite, kai daugiafunkcinis įrankis veikia.
2. Laikydami suklio fiksavimo mygtuką nuspausta, atlaisvinkite ir nuimkite prispaudžiamąją veržlę. Jeigu reikia, naudokite įvorės raktą.
3. Įvorę nuimkite nuo suklio.
4. Reikiama dydžio įvorę visiškai įstatykite į suklij ir lengvai užveržkite prispaudžiamąją veržlę. Niekada visiškai stipriai neužveržkite veržlės, jei neįstatytas joks priedas ar antgalis.

PRIEDŲ KEITIMAS

5 6 PAV.

- U. Suklio fiksavimo mygtukas

1. Pastumkite suklio fiksavimo mygtuką į priekį, nuspauskite ir sukite suklij ranka, kol jis užsifiksuos. Suklio fiksavimo mygtuko nespauskite, kai daugiafunkcinis įrankis veikia.
2. Laikydami suklio fiksavimo mygtuką nuspausta, atlaisvinkite (bet nenuimkite) prispaudžiamąją veržlę. Jeigu reikia, naudokite įvorės raktą.
3. Priedo arba antgalio kotelį visiškai įstatykite į įvorę.
4. Prieky suspaudę suklio fiksavimo mygtuką ir sukite prispaudžiamąją veržlę pirštais tol, kol suspaudžiamoji įvorė

sugriebs priedo kotelį.

PASTABA: būtinai perskaitykite su "Dremel" priedais pateikiamas instrukcijas, kuriose pateikiama daugiau informacijos apie jų naudojimą.

Naudokite tik "Dremel" išbandytus kokybiškus priedus.

DARBO PRADŽIA

NAUDOJIMAS

Prieš pradėdami naudoti universalų rotacinį įrankį, jūs privalote jį „pajusti“. Paimkite įrankį į ranką ir pajuskite jo svorį ir svorio centrą. Atkreipkite dėmesį į korpuso smailėjimą, dėl kurio įrankį galima laikyti kaip automatinį plunksnakotį arba pieštuką. Ypatinga „Softgrip“ danga užtikrina papildomą valdymo komfortą ir geresnę kontrolę darbo metu.

Įrankį laikykite visada nukreipę nuo veido. Priedai gali būti pažeisti ir atskiros jų dalys dėl didelio sukijų skaičiaus gali lėkti į šalis.

Įrankį laikykite taip, kad ranka neuždengtumėte ventiliacinių angų. Uždengus ventiliacines angas gali perkaisti variklis.

SVARBU! Iš pradžių pasitreniruokite su medžiagos gabalėliu ir pasižiūrėkite, kaip įrankis veikia dideliu greičiu. Nepamirškite, kad daugiafunkcinis įrankis duos geriausių rezultatų, jeigu leisite jo greičiui, o taip pat ir tinkamam „Dremel“ priedui bei antgaliui, darbą padaryti už jus. Jeigu galite, įrankio dirbdami nespauskite. Vietoj to, besisukantį priedą atsargiai priartinkite prie ruošinio paviršiaus ir leiskite jam prisiliesti ten, kur norėtumėte pradėti. Susikaupkite ir įrankį vedžiokite po darbinį plotą kuo mažiau spausdami ranka. Leiskite priedui dirbti už jus.

Paprastai rekomenduojama norimą veiksmą įrankiu atlikti per kelis kartus, o ne viską baigti vienu prisilietimu. Lengvais prisilietimais užtikrinama didžiausia kontrolė bei sumažinama klaidos tikimybė.

Tikslius darbus geriausiai atliksite, jei daugiafunkcinį įrankį laikysite tarp nykščio ir smiliaus kaip pieštuką. 7 PAV.

Įrankis kaip golfo lazda laikomas tada, kai reikia atlikti grubesnius darbus, pavyzdžiui, šlifuoti arba pjauti. 8 PAV.

DARBINIS GREITIS

Šis įrankis veikia dideliu greičiu. Sukijų skaičių galima keisti nuo 10 000 iki 33 000 min⁻¹. Tinkamai parinkę sukijų skaičių pagal naudojamus priedus ir ruošinio medžiagą, pasieksite geriausių rezultatų. Iš pradžių pabandykite dirbti su nedideliu gabalėliu atliekamos medžiagos, kad nustatytumėte optimalų sukijų skaičių.

PASTABA: greitis priklauso nuo įtampos svyravimų. Sumažėjusi maitinimo įtampa sumažins įrankio sukijus, ypač jei jungiklis nustatytas į žemiausių padėtį. Jeigu įrankis, jūsų manymu, veikia per lėtai, atitinkamai padidinkite pasirinktą greitį. Įrankis gali neveikti pasirinkus mažiausią galimą greitį, jeigu tinklo įtampa yra mažesnė kaip 220 V. Tiesiog padidinkite sukijų skaičių ir pradėkite darbą.

300 serijos daugiafunkcinio įrankio sukijų skaičius yra pažymėtas ant greičio valdymo jungiklio. Atskiras padalas atitinkančius sukijų skaičius rasite toliau pateikiamoje diagramoje 4-6 puslapyje. Taip galite nustatyti naudojamus priedus ir medžiagas atitinkantį optimalų sukijų skaičių.

ANGLINIAI ŠEPETŪLIAI

- A) Gipso kartonas. Pasirinkite 33 000 min⁻¹
B) Skiedinys sienoms ir grindims. Pasirinkite 6-8 padėtį.

*) *Sūkių skaičius lengviems pjūviams. Atsargiai, giliose grioveluose gali likti degimo žymės.*

□) *Pagal pjovimo kryptį atitinkamai tekstūrai.*

Daugumą užduočių galima atlikti pasirinkus aukščiausią sūkių skaičiaus pakopą. Kai kurios medžiagos (tam tikri plastikai ir metalai) gali būti pažeistos karščio, susidarancio dėl didelio sūkių skaičiaus, ir todėl privalo būti apdirbami tik naudojant žemus sūkius. Mažas sūkių skaičius (15 000 min⁻¹ ir mažiau) geriausiai tinka poliruoti su veltiniu poliravimo priedu. Maži sūkių skaičiai yra reikalingi naudojant šepetčius, kad iš laikiklio neiškristų vielos ir serial. Net ir esant nedideliems sūkiams privalote nespausti įrankio. Didesni sūkiiai tinka kietai medienai, metalui ir stiklui, taip pat gręžti, pjaustyti, drožinėti, frezuoti, formuoti, pjauti griovelius medienoje. Jungiklio padėtys atitinka šiuos sūkių skaičius:

Jungiklio padėtis	Sūkių skaičių intervalas
1-2	10 000 - 14 000 min ⁻¹
3-4	15 000 - 19 000 min ⁻¹
5-6	20 000 - 24 000 min ⁻¹
7-8	25 000 - 29 000 min ⁻¹
9-10	30 000 - 33 000 min ⁻¹

Keletas rekomendacijų dėl įrankio greičio:

- Plastikais ir kitos medžiagos, kurios lydosi žemoje temperatūroje, turėtų būti pjaunamos pasirinkus mažesnę greitį.
- Poliravimas, šlifavimas ir valymas vieliniiu šepetčiu turi būti atliekamas ne didesniu kaip 15 000 min⁻¹ greičiu, kad nebūtų sugadintas šepetys ir apdirbama medžiaga.
- Medieną reikėtų pjauti pasirinkus didelį greitį.
- Geležį arba plieną reikėtų pjauti pasirinkus didelį greitį.
- Jei iš greitapjovio plieno pagaminta freza pradeda vibruoti, dažniausiai tai rodo, kad ji per lėtai sukasi.
- Aliuminį, vario lydinis, švino lydinis, cinko lydinis ir skardą galima pjauti pasirinkus įvairius greičius priklausomai nuo pjovimo būdo. Patepkite pjovimo įrankį parafinu arba kita tinkama tepimi medžiaga (ne vandeniui), kad drožlės nepribiktų prie pjovimo įrankio ašmenų.

PASTABA: jeigu įrankis veikia netinkamai, jėgos naudojimas problemos neišspręs. Pabandykite naudoti kitą priedą arba pasirinkite kitą greitį norimam rezultatui pasiekti.

PRIEŽIŪRA

Jei techninę priežiūrą ir profilaktiką atliks neįgalieji asmenys, jie gali neteisingai sujungti vidinius laidus ar kitus prietaiso komponentus, todėl gali kilti rimtas pavojus. Mes rekomenduojame techninę priežiūrą ir remonto darbus atlikti "Dremel" klientų aptarnavimo skyriuose. Dėl saugumo kiekvieną kartą prieš pradėdami techninės priežiūros ir valymo darbus, ištraukite kištuką iš tinklo.

Jūsų įrankio šepetėliai buvo sukurti ilgam ir patikimam darbui. Norėdami parengti šepetėlius naudojimui, įjunkite įrankį, pasirinkite didžiausią sūkių skaičių ir leiskite jam veikti tuščiajame eiga 5 minutes. Taip šepetėliai tinkamai apsišlifuos bei tarnaus jums ilgiau. Norėdami užtikrinti kuo ilgesnį variklio darbą, šepetėlius nuolat tikrinkite kas 40-50 valandų. *Jeigu naudosite susidėvėjusius šepetėlius, galite nepataisomai sugadinti variklį. Naudokite tik originalius atsarginius "Dremel" šepetėlius. Daugiafunkcinio įrankio šepetėlius tikrinkite juos panaudoję 40-50 valandų. Jeigu daugiafunkcinis įrankis veikia blogai, netikėtai sustoja arba skleidžia neįprastus garsus, patikrinkite, ar šepetėliai nesusidėvėjo ir, jei reikia, juos pakeiskite. Daugiafunkcinio įrankio šepetėlius tikrinkite ir keiskite tokia tvarka:*

1. Išjunkite kištuką iš elektros lizdo ir įrankį padėkite ant švaraus paviršiaus. Įrankio raktą naudokite kaip atsuktuvą šepetėlių dangteliams atsukti. 9 PAV.
2. Šepetėlius iš įrankio išimkite patraukę už spyruoklės ant anglinio šepetėlio. Jeigu šepetėlio ilgis mažesnis kaip 3 mm, o jo kontaktinis paviršius yra grubus arba nelygus, anglinius šepetėlius reikia pakeisti. Nepamirškite patikrinti abiejų šepetėlių. 10 PAV.
3. Jeigu susidėvėjęs tik vienas šepetėlis, vis tiek pakeiskite abu, nes tada daugiafunkcinis įrankis dirbs geriau. Nuimkite spyruoklę nuo šepetėlio, išmeskite seną šepetėlį ir spyruoklę uždėkite ant naujo šepetėlio.
4. Anglinį šepetėlį ir spyruoklę įstatykite į įrankį. Šepetėlis į įrankį įsistato tik viena kryptimi.
5. Šepetėlio dangtelį uždėkite ant įrankio ir sukite laikrodžio rodyklės kryptimi. Priveržkite raktu, bet NE PER STIPRIA! Pakeitus šepetėlius, įrankį reikėtų įjungti tuščiajame eiga; padėkite jį ant švaraus paviršiaus, pasirinkite didžiausius sūkius ir prieš pradėdami darbą leiskite jam veikti 5 minutes tuščiajame eiga. Tada šepetėliai tinkamai apsišlifuos ir jums tarnaus ilgiau. Tai taip pat prailgins ir įrankio naudojimo laiką.

ĮRANKIO VALYMAS

PRIEŠ VALYDAMI ĮRANKĮ, JĮ IŠJUNKITE IŠ ELEKTROS LIZDO

Vėdinimo angos ir jungiklių svirtys turi būti švarios ir neužsikimšusios. Nebandykite įrankio valyti pro angas kišdami aštrius daiktus.

Įrankį galima išvalyti suspausto oro srove. Valydami įrankį suspausto oro srove, užsidėkite apsauginius akinius.

"Dremel" daugiafunkcinio įrankio nereikia sutepti.

Kai kurios valymo priemonės ir tirpikliai gali sugadinti plastikines dalis. Prie tokių priemonių priskiriamas benzinas, anglies tetrachloridas, valymo priemonės su chloru, amoniakas ir būtini valikliai, sudėtyje turintys amoniaką.

Įrankio "minkštąsias" dalis nuvalykite sudrėkintu audeklu. Kietesnes nešvarias dalis gali reikėti patrinti, kol jos švariai nusivalys.

APTARNAVIMAS IR GARANTĪJA

Šiam DREMEL gaminiui suteikiama garantija atitinka šalyje galiojančius įstatymus. Garantija netaikoma gedimams, atsiradusiems dėl natūralaus susidėvėjimo, taip pat dėl perkrovų arba netinkamo naudojimo.

Reklamacijos atveju siųskite *neišardytą* įrankį su atitinkamu pirmą patvirtinančiu dokumentu savo pardavėjui.

SUSISIEKITE SU DREMEL

Norėdami sužinoti daugiau informacijos apie "Dremel", apsilankykite tinklalapyje www.dremel.com

Dremel Europe, P.O. Box 3267, 4800 DG Breda, Nederlande

LV

SĀKOTNĒJO NORĀDĪJUMU TULKOJUMS



UZMANĪBU UZMANĪGI IZLASIET VISUS NOTEIKUMUS.

Turpmākajā izklāstā sniegto noteikumu neievērošana var izraisīt aizdegšanos un būt par cēloni elektriskajam triecienam un/vai nopietnam savainojumam. Turpmākajā izklāstā lietotais apzīmējums "elektroinstrumenti" attiecas uz šo no elektrotīkla darbināmo elektroinstrumentu (ar elektrisko vadu).

PĒC IZLASĪŠANAS SAGLABĀJIET LIETOŠANAS PAMĀCĪBU

1. DARBA VIETA

- Sekojiēt, lai darba vieta būtu tīra un labi apgaismota. *Nekārtīgā darba vietā un sliktā apgaismojumā var viegli notikt nelaimes gadījums.*
- Nelietojiet elektroinstrumentu sprādzienbīstamu vai ugunsnedrošu vielu tuvumā un vietās ar paaugstinātu gāzes vai putekļu saturu gaisā. *Elektroinstrumenti darba laikā nedaudz dzirksteļo, un tas var izsaukt viegli degošu putekļu vai tvaiku aizdegšanos.*
- Lietojot elektroinstrumentu, nelaujiet bērniem un citām nepiederošām personām tuvojties darba vietai. *Citu personu klātbūtnē var novērst uzmanību, kā rezultātā jūs varat zaudēt kontroli pār elektroinstrumentu.*


2. ELEKTRODROŠĪBA

- Elektroinstrumenta kontaktdakšai jābūt piemērotai elektrotīkla kontaktlīdždai. Kontaktdakšas konstrukciju nedrīkst nekādā veidā mainīt. Nelietojiet kontaktdakšas salāgotājus, ja elektroinstrumenti caur elektrisko vadu tiek savienoti ar aizsargzēmējuma ķēdi. *Neizmānītas konstrukcijas kontaktdakša, kas piemērota kontaktlīdždai, ļauj samazināt elektriskā trieciena saņemšanas risku.*
- Darba laikā nepieskarieties saņemtiem priekšmetiem, piemēram, caurulēm, radiatoriem, plītiem vai ledusskapjiem.

permeņa daļām pieskaroties saņemtām virsmām, pieaug risks saņemt elektrisko triecienu.

- Nelietojiet elektroinstrumentu lietus laikā, neturiet to mitrumā. *Mitrumam iekļūstot instrumentā, pieaug risks saņemt elektrisko triecienu.*
- Nenoslogojiet elektrisko vadu. Nelietojiet elektrisko vadu elektroinstrumenta pārvešanai un piekāršanai, neraujiet aiz tā, ja vēlaties atvienot elektroinstrumentu no elektrotīkla kontaktlīdždas. Sargājiet elektrisko vadu no karstuma, eļļas, asām šķautnēm un elektroinstrumenta kustīgajām daļām. *Bojāts vai samezģlojies elektriskais vads paaugstina elektriskā trieciena risku.*
- Darbinot elektroinstrumentu ārpus telpām, izmantojiet pagarinātājkabeļus, kas ir piemēroti lietošanai ārpus telpām. *Lietojot pagarinātājkabeļi, kas piemēroti darbam ārpus telpām, samazinās risks saņemt elektrisko triecienu.*

3. PERSONĪGĀ DROŠĪBA

- Strādājot ar elektroinstrumentu, saglabājiet paškontroli un rīkojieties saskaņā ar veselo saprātu. Pārtrauciet darbu, ja jūtaties noguris vai atrodaties alkohola, narkotiku vai medikamentu izraisītā reibumā. *Strādājot ar elektroinstrumentu, pat viens neuzmanības mirklis var būt par cēloni nopietnam savainojumam.*
-  Izmantojiet individuālos darba aizsardzības līdzekļus. Darba laikā vienmēr nēsājiet aizsargbrilles. Tādu darba aizsardzības līdzekļu, kā putekļu aizsargmaskas, neslīdošu apavu un aizsargķiveres vai ausu aizsargu pielietošana atbilstoši elektroinstrumenta tipam un veicamā darba raksturam ļauj izvairīties no savainojumiem.
- Nepieļaujiet elektroinstrumenta patvaļīgu ieslēgšanos. Pirms elektroinstrumenta pievienošanas elektrotīklam pārlicinieties, ka tā slēdzis atrodas stāvoklī "Izslēgts". *Pārnesot elektroinstrumentu ar pirkstu uz slēdža vai pievienojot ieslēgtu elektroinstrumentu elektrotīklam, viegli var notikt nelaimes gadījums.*
- Pirms elektroinstrumenta ieslēgšanas neaizmirstiet izņemt no tā regulējošos instrumentus vai atslēgas. *Patronatslēga vai skrūvjatslēga, kas elektroinstrumenta ieslēgšanas brīdī ir ievietota tā rētojošajās daļās, var radīt savainojumu.*
- Strādājot ar elektroinstrumentu, ieturiet stingru stāju. *Darba laikā vienmēr saglabājiet līdzsvaru un centieties nepaslidēt. Tas atvieglo elektroinstrumenta vadīšanu neparedzētās situācijās.*
- Izvēlieties darbam piemērotu apģērbu. *Darba laikā nenēsājiet brīvi plandošas drēbes un rotaslietas. Sargājiet matus, apģērbu un aizsargcimds no elektroinstrumenta kustīgajām daļām. Tajās var iekerties vaļiņas drēbes, rotaslietas un gari mati.*
- Ja elektroinstrumenta konstrukcija ļauj tam pievienot ārējo putekļu uzsūkšanas vai savākšanas/uzkrāšanas ierīci, sekojiēt, lai šāda ierīce tiktu pievienota un pareizi darbotos. *Pielietojot minētās ierīces, samazinās putekļu kaļģģ ietekme uz lietotāja veselību.*

4. ELEKTROINSTRUMENTA LIETOŠANA UN APKOPE

- a. Nepārslodgiet elektroinstrumentu. Katram darbam izvēlieties piemērotu elektroinstrumentu. *Elektroinstruments darbojas labāk un drošāk pie nominālās slodzes.*
- b. Nelietojiet elektroinstrumentu, ja ir bojāts tā slēdzis. *Elektroinstruments, ko nevar ieslēgt un izslēgt, ir bīstams lietošanai, un to nepieciešams remontēt.*
- c. Pirms regulēšanas, darbinstrumenta nomaīņas vai novietošanas uzglabāšanai atvienojiet elektroinstrumentu no elektrotilkla. *Šāds drošības pasākums ļauj samazināt elektroinstrumenta nejausās ieslēgšanās risku.*
- d. Elektroinstrumentu, kas netiek darbināts, uzglabājiet vietā, kur tas nav sasniedzams bērniem un personām, kuras neprot rīkoties ar instrumentu vai nav iepazīnušas ar šo lietošanas pamācību. *Elektroinstrumenti nekompetentu personu rokās ir bīstami.*
- e. Rūpīgi veiciet elektroinstrumenta apkalpošanu. Pārbaudiet, vai kustīgās daļas ir labi salāgotas un nav iespīlētas, vai kāda no daļām nav bojāta un vai nepastāv kādi citi apstākļi, kas varētu ietekmēt elektroinstrumenta normālu darbību. Atklājot bojājumus, pirms elektroinstrumenta lietošanas nodrošiniet tam vajadzīgo remontu. *Daudzi nelaimes gadījumu cēloņi ir elektroinstrumenta nepietiekama apkalpošana.*
- f. Savlaicīgi notifyiet un uzasiniet griezošos darbinstrumentus. *Rūpīgi kopīti darbinstrumenti ar asām griezējšķautnēm retāk iestrēgst un ļauj vieglāk vadīt elektroinstrumentu.*
- g. Lietojiet elektroinstrumentu, papildpiederumus, darbinstrumentus utt. atbilstoši Seit sniegtajiem norādījumiem un attiecīgajam elektroinstrumentam paredzētajā veidā, ņemot vērā apstākļus un veicamā darba raksturu. *Elektroinstrumenta lietošana mērķiem, kuriem tas nav paredzēts, ir bīstama un var novest pie neparedzamām sekām.*

5. APKALPOŠANA

- a. Nodrošiniet, lai elektroinstrumenta apkalpošanu veiktu kvalificēts personāls, nomaīnai izmantojot vienīgi identiskas rezerves daļas. *Tas ļauj saglabāt nepieciešamo darba drošības līmeni, strādājot ar elektroinstrumentu.*

DROŠĪBAS NOTEIKUMI VISIEM APSTRĀDES VEIDIEM

DROŠĪBAS NOTEIKUMI, KAS IR KOPĪGI SLĪPĒŠANAI, APSTRĀDEI AR STIEPĻU SUKU, PULĒŠANAI UN GRIEŠANAI AR ABRĀZĪVAJĒMI DISKIEM

- a. Šis elektroinstruments ir paredzēts slīpēšanai, apstrādei ar stieplu suku, pulēšanai un griešanai. Rūpīgi iepazīstieties ar visiem kopā ar šo elektroinstrumentu piegādātajiem drošības noteikumiem, lietošanas norādījumiem, ilustrācijām un tehniskajiem parametriem. *Turpmākajā izklāstā sniegto noteikumu neievērošana var izraisīt aizdegšanos un būt*

par cēloni elektriskajam triecienam un/vai nopietnam savainojumam.

- b. Nelietojiet darbinstrumentus, ko elektroinstrumenta ražotājfirma tam nav īpaši izstrādājusi vai ieteikusi lietošanai kopā ar to. *Tas, ka darbinstruments ir iestiprināms elektroinstrumentā, vēl nenozīmē, ka ar to var droši strādāt.*
- c. Darbinstrumenta nominālajam griešanās ātrumam jābūt ne mazākam par elektroinstrumenta maksimālo griešanās ātrumu. *Darbinstrumenti, kuru griešanās ātrums pārsniedz pieļaujamo vērtību, var salūzt, un to daļas var lidot ar lielu ātrumu.*
- d. Lietojamā darbinstrumenta ārējam diametram un biežumam jāatbilst elektroinstrumenta tehniskajos parametros uzrādītajām nominālajām vērtībām. *Darbinstrumentus ar nepareizi izvēlētiem izmēriem nav iespējams pilnīgi nosegt ar aizsargiem un efektīvi vadīt.*
- e. Slīpēšanas disku, pamatņu un citu darbinstrumentu stiprinājumu jāatbilst elektroinstrumenta darbvārpstas konstrukcijai un izmēriem. *Darbinstrumentus, kuru stiprinājuma atvērums neatbilst elektroinstrumenta stiprinošajiem elementiem, nav iespējams balansēt, tie darba laikā stipri vibrē un var būt par cēloni kontroles zaudēšanai pār elektroinstrumentu.*
- f. Nelietojiet bojātus darbinstrumentus. Ik reizi pirms darba pārbaudiet, vai darbinstruments nav bojāts, piemēram, vai slīpēšanas disks nav atslāņojies vai ielaišajis, vai slīpēšanas pamatnē nav vērojamas plaisas un vai stieplu suku veidojošās stieples nav vaļīgas vai aizlūzušas. Ja elektroinstruments vai darbinstruments ir kritis no zināma augstuma, pārbaudiet, vai tas nav bojāts, vai arī izmantojiet darbam nebojātu darbinstrumentu. Pēc darbinstrumenta apskates un iestiprināšanas nostājieties un lieciet nostāties tuvumā esošajām personām ārpus darbinstrumenta rotācijas plaknes un tad vienu minūti darbiniet elektroinstrumentu tukšgaitā ar maksimālo ātrumu. *Šādas pārbaudes laikā bojātie darbinstrumenti parasti salūst.*
- g. Lietojiet individuālos darba aizsardzības līdzekļus. Atkarībā no veicamā darba rakstura, lietojiet sejas aizsargu vai arī izolējošas vai vaļējās aizsargbrilles. Vajadzības gadījumā nēsājiet putekļu aizsargmasku, ausu aizsargus, aizsargcimdus un aizsargpriekšautu, kas spēj aizturēt sikas abrazīvā materiāla daļiņas vai lidojošas salūzuša darbinstrumenta daļas. *Acu aizsargierīcēm jāspēj aizturēt lidojošās daļiņas, kas rodas dažādu darba operāciju laikā. Putekļu aizsargmaskai vai respiratoram jāaiztur cietās daļiņas, kas rodas darba procesā. Ilgstoši iedarbojoties stipram troksnim, var rasties paliekoši dzirdes traucējumi.*
- h. Sekojiet, lai nepiederošas personas atrastos drošā attālumā no darba vietas. Ikvienam, kas atrodas darba vietas tiešā tuvumā, jālieto individuālie darba aizsardzības līdzekļi. *Apstrādājamā priekšmeta vai salūzuša darbinstrumenta fragmenti var tikt mestī ar lielu ātrumu un nodarīt kaitējumu tuvumā esošajām personām arī zināmā attālumā no darba vietas.*
- i. Veicot darbu, kura laikā griezošais darbinstruments var skart slēptus spriegumnesošu vadus vai elektroinstrumenta vadu, turiet elektroinstrumentu tikai aiz izolētajām noturvirsmām. *Darbinstrumentam skarot spriegumnesošu vadu, spriegums nonāk arī uz elektroinstrumenta metāla daļām un var būt par cēloni elektriskajam triecienam.*
- j. Nelietojiet elektrisko vadu tā, lai to nevarētu skart rotējošais darbinstruments. *Zaudējot kontroli pār elektroinstrumentu,*

elektriskais vads var tikt pārgriezts vai uztiets uz darbinstrumenta, kā rezultātā lietotāja rokas var tikt ierautas rotējošajā darbinstrumentā.

- k. Nenovietojiet elektroinstrumentu, iekams tajā iestiprinātais darbinstruments nav pilnīgi apstājies. *Rotējošais darbinstruments var skart balsta virsmu, kā rezultātā elektroinstrumenti var kļūt nevadāms.*
- l. Nedarbiniēt elektroinstrumentu laikā, kad tas tiek pārņemts. *Lietotāja apģērbs var nejauši saskarties ar rotējošo darbinstrumentu un aizķerties aiz tā, izraisot ķermeņa daļu saskaršanos ar darbinstrumentu.*
- m. Regulāri tīriet elektroinstrumenta ventilācijas atveres. *Dzinēja ventilators ievēl putekļus elektroinstrumenta korpusā, un liela metāla putekļu daudzuma uzkrāšanās tajā var būt par cēloni elektriskajam triecienam.*
- n. Nelietojiet elektroinstrumentu ugunsnedrošu materiālu tuvumā. *Lidojošās dzirksteles šādus materiālus var aizdedzināt.*
- o. Nelietojiet darbinstrumentus, kuru dzesēšanai nepieciešams šķidrums dzesētājs. *Idens vai citu dzesējošo šķidrumu lietošana var radīt elektrotraumu vai būt par cēloni elektriskajam triecienam.*
- p. **Neapstrādājiet materiālus, kas satur azbestu** (azbests tiek uzskatīts par vēža izraisītāju).
- q. **Ja darba gaitā var izdalīties veselībai kaitīgi, ugunsnedroši vai sprādzienbīstami putekļi** (dažu materiālu putekļi var izraisīt vēzi), nēsājiet putekļu aizsargmasku un pielietojiet putekļu/skaidu uzsūkšanu, ja elektroinstrumenta konstrukcija ļauj tam pievienot vakuumuzsūkšanas ierīci.

ATSITIENS UN AR TO SAISTĪTIE NORĀDĪJUMI

Atsitiens ir specifiska elektroinstrumenta reakcija, pēkšņi aizķeroties vai iestrēgstot rotējošam darbinstrumentam, piemēram, abrazīvajam diskam, slīpēšanas pamatnei, stieplu sukai vai citam piederumam. Rotējoša darbinstrumenta aizķeršanās vai iestrēgšana izsauc tā pēkšņu apstāšanos, kā rezultātā elektroinstrumenti pārvietojas virzienā, kas pretējs darbinstrumenta kustības virzienam iestrēgšanas vietā, un nereti kļūst nevadāms. Piemēram, ja abrazīvais disks aizķeras vai iestrēgst apstrādājamajā priekšmetā, tajā iegremdētā diska mala var izrauties no apstrādājamā materiāla vai izraisīt atsitienu. Šādā gadījumā slīpēšanas disks pārvietojas lietotāja virzienā vai arī prom no viņa, atkarībā no diska rotācijas virziena attiecībā pret apstrādājamo priekšmetu. Turklāt abrazīvais disks šādos apstākļos var salūzt. Atsitiens vienmēr ir sekas elektroinstrumenta nepareizai un/vai neprasmīgai lietošanai, un no tā var izvairīties, ievērojot zināmus piesardzības pasākumus, kas aprakstīti turpmākajā izklāstā.

- a. Stingri turiet elektroinstrumentu un ieņemiet tādu ķermeņa un roku stāvokli, kas vislabāk ļauj pretoties atsitienu spēkam. Vienmēr izmantojiet papilddrokturi, ja tāds ir paredzēts, jo tas ļauj optimāli kompensēt atsitienu vai reaktīvo griezes momentu, uzsākot darba operāciju. *Veicot vajadzīgos piesardzības pasākumus, lietotājs jebkurā situācijā spēj efektīvi pretoties atsitienu vai reaktīvajam griezes momentam.*
- b. Netuviniet rokas rotējošajam darbinstrumentam. *Atsitienu gadījumā darbinstruments var saskarties ar lietotāja roku.*
- c. Izvairieties atrasties vietā, kurp varētu pārvietoties elektroinstrumenti, notiekot atsitienu. *Atsitienu gadījumā*

elektroinstrumenti pārvietojas virzienā, kas pretējs darbinstrumenta kustības virzienam iestrēgšanas vietā.

- d. Ievērojiet īpašu piesardzību, apstrādājot stūrus un asas malas. *Nepieļaujiet, lai darbinstruments atlec no apstrādājamā priekšmeta vai iestrēgst tajā. Saskaroties ar stūriem vai asām malām, rotējošais darbinstruments izliecas un atlec no apstrādājamā priekšmeta vai iestrēgst tajā, kas var kļūt par cēloni kontroles zaudēšanai pār instrumentu vai atsitienu.*
- e. Neiestipriniet elektroinstrumentā zāga asmeņus, kas apgādāti ar zobiem un/vai ir paredzēti koka zāgēšanai. *Šādu darbinstrumentu lietošana var kļūt par cēloni atsitienu vai kontroles zaudēšanai pār elektroinstrumentu.*

ĪPAŠIE DROŠĪBAS NOTEIKUMI, VEICOT SLĪPĒŠANU UN GRIEŠANU AR ABRAZĪVAJĒM DISKIEM

- a. Lietojiet vienīgi tādus abrazīvos diskus, kas ir ieteikti izmantošanai kopā ar šo elektroinstrumentu, kā arī aizsargu, kas paredzēts izvēlētajam abrazīvajam diskam. *Abrazīvie diski, kas nav paredzēti izmantošanai kopā ar elektroinstrumentu, pilnīgi nenovietojas zem aizsarga un neļauj panākt vēlamo darba drošību.*
- b. Abrazīvos diskus drīkst lietot vienīgi tādā veidā, kādam tie ir paredzēti. Piemēram, nekad neizmantojiet slīpēšanai griešanas diska sānu virsmu. *Abrazīvie griešanas diski ir paredzēti materiālu apstrādei ar malas griezējšķautni, un stiprs spiediens sānu virzienā var tos sagraut.*
- c. Kopā ar izvēlēto abrazīvo disku lietojiet vienīgi nebojātu piespiedējgriezni ar piemērotu formu un izmēriem. *Piemērota tipa piespiedējgrieznis darba laikā droši balsta abrazīvo disku un samazina tā salūšanas iespēju. Griešanas diskam paredzētie piespiedējgriezņi par atšķirties no piespiedējgriezņiem, kas lietojami kopā ar slīpēšanas diskus.*
- d. Neizmantojiet nolietotus abrazīvos diskus, kas paredzēti lielākas jaudas elektroinstrumentiem. *Lielākiem elektroinstrumentiem paredzētie abrazīvie diski nav piemēroti izmantošanai mazākos elektroinstrumentos, kuru griešanās ātrums parasti ir lielāks, un darba laikā var salūst.*

PAPILDU DROŠĪBAS NOTEIKUMI, VEICOT GRIEŠANU AR ABRAZĪVAJĒM DISKIEM

- a. Neizdariet pārlieku lielu spiedienu uz griešanas disku un nepieļaujiet tā iestrēgšanu. *Nemēģiniet veidot pārāk dziļus griezumus. Ja griešanas disks tiek pārslōgots, tas biežāk deformējas un iestrēgst griezumā, līdz ar to pieaugot atsitienu vai salūšanas varbūtībai.*
- b. Izvairieties atrasties rotējošā griešanas diska priekšā vai aiz tā. *Ja darba laikā lietotājs pārvieto griešanas disku prom no sevis, tad atsitienu gadījumā elektroinstrumenti ar rotējošu griešanas disku tiks sviesti tieši lietotāja virzienā.*
- c. Jebkura iemesla dēļ pārtraucot darbu vai iestrēgstot griešanas diskam, izslēdziet elektroinstrumentu un turiet to nekustīgi, līdz griešanas disks pilnīgi apstājies. *Nemēģiniet izvilkēt no griezuma vēl rotējošu griešanas disku, jo šāda rīcība var būt par cēloni atsitienu. Noskaidrojiet un novērsiet diska iestrēgšanas cēloni.*

- d. Neatsāciet griešanu, ja griešanas disks atrodas griezumā. Nogaidiet, līdz griešanas disks sasniedz pilnu griešanās ātrumu, un tikai tad uzmanīgi ievadiet to griezumā. *Ja elektroinstrumenti tiek iedarbināti laikā, kad griešanas disks atrodas griezumā, disks var saliekties, tikt izmests no griezuma, kā arī var notikt atsitieni.*
- e. Lai mazinātu atsitiena risku, iestrēgstot griešanas diskam, atbaltstiet griežamo paneli vai citu liela izmēra griežamo priekšmetu. *Lieli priekšmeti tiecas izliekties sava svara iespaidā. Griežamais priekšmets jāatbalsta abās griešanas diska pusēs, novietojot balstus zem griežamā priekšmeta griezuma trases tuvumā, kā arī tuvu priekšmeta malai.*
- f. Ievērojiet īpašu piesardzību, veidojot padziļinājumus sienās vai citos objektos, kas var saturēt slēptus objektus. *Griešanas diskam iegrimstot materiālā, tas var skart gāzes vai ūdensvada caurules, spriegumnesošus vadus vai kādu citu objektu, kas var izraisīt atsitieni.*

ĪPAŠIE DROŠĪBAS NOTEIKUMI, VEICOT SLĪPĒŠANU AR SLĪPĒŠANAS LOKSNI

- a. Neizmantojiet darbam liela izmēra slīpēšanas loksnes. Izvēlieties slīpēšanas loksni, ievērojiet ražotājfirmas norādījumus. *Ja slīpēšanas loksne sniedzas pāri slīpēšanas pamatnes malām, tas var būt par cēloni savainojumam, slīpēšanas loksnes iestrēgšanai vai plīšanai, kā arī izraisīt atsitieni.*

ĪPAŠIE DROŠĪBAS NOTEIKUMI, VEICOT PULĒŠANU

- a. Nepieļaujiet, lai kāda no pulējošā uzliktna daļām vai stiprinošajām atsaitēm būtu vaļīga. Nostipriniet vai saīsiniet vaļīgo atsaiti. *Vaļīga atsaitē rotējot var skart lietotāja pirkstus vai iekerties apstrādājamajā priekšmetā.*

ĪPAŠIE DROŠĪBAS NOTEIKUMI, VEICOT APSTRĀDI AR STIEPĻU SUKU

- a. Ievērojiet piesardzību, jo pat parastas darba operācijas laikā no stiepļu sukas var atdalīties un lidot prom atsevišķas stieples. Nepārslodojiet sukas stieples, stipri spiežot uz to. *Atlūzušās stieples, kas lido ar lielu ātrumu, var viegli izkļūt caur plānu apģērbu un iedurties ādā.*
- b. Ja apstrādes laikā ir ieteikta aizsarga lietošana, nepieļaujiet tā saskaršanos ar diskevidu vai kausveida stiepļu suku. *Ņemiet vērā, ka diskevida un kausveida stiepļu sukām noslodzes un centrālās spēka iespaidā var palielināties diametrs.*

APKĀRTĒJĀ VIDE

ATBRĪVOŠANĀS NO NOLIETOTAJIEM IZSTRĀDĀJUMIEM

Elektroinstrumenti, tā piederumi un iesaiņojuma materiāli ir jāsašķiro, sagatavojot tos otrreizējai pārstrādei apkārtējai videi nekaitīgā veidā.

TIKAI ES VALSTĪM



Neizmetiet nolietotos elektroinstrumentus sadzīves atkritumu tvērnē!

Saskaņā ar Eiropas Savienības direktīvu 2002/96/ES par nolietotajām elektriskajām un elektroniskajām ierīcēm un šīs direktīvas atspoguļojumiem nacionālajā likumdošanā, lietošanai nederīgie elektroinstrumenti jāsavāc, jāizjauc un jānodod otrreizējai pārstrādei apkārtējai videi nekaitīgā veidā.

TEHNISKIE PARAMETRI

VISPĀRĒJIE PARAMETRI

Nominālais spriegums	230-240 V, 50-60 Hz
Nominālā strāva	0,5 A
Griešanās ātrums tukšgaitā	n_n 33,000/min
Turētājaptveres aptverespēja	0,8 mm, 1,6 mm, 2,4 mm, 3,2 mm

PAGARINĀTĀJKABEĻI

Lietojiet pilnīgi atītus un droši izmantojamus pagarinātājkabeļus, kas paredzēti vismaz 5 A strāvai.

DZINĒJA PARAMETRI

Šajā multiinstrumentā tiek pielietots ātrgaitas elektrodzinējs ar maināmu griešanās ātrumu. Tas ir paredzēts darbam no maiņsprieguma tīkla ar spriegumu 230-240 V un frekvenci 50-60 Hz. Vienmēr pārliecinieties, ka spriegums elektrotīklā atbilst uz elektroinstrumenta marķējuma plāksnītes uzrādītajai vērtībai (elektroinstrumentus, kas paredzēti darbam no sprieguma 230 vai 240 V, var pievienot arī 220 V elektrotīklam).

SALIKŠANA

PIRMS APKALPOŠANAS UN DARBINSTRUMENTA VAI TURĒTĀJAPTVERES NOMAIJAS VIENMĒR ATVIENOJIET MULTINSTRUMENTU NO ELEKTROTĪKLA.

VISPĀRĒJĀIS RAKSTUROJUMS

Šim Dremel multiinstrumentam piemīt augsta precizitāte, kas ļauj to izmantot sarežģītu un precīzu darbu veikšanai. Firms Dremel plašais darbinstrumentu un piederumu klāsts ļauj lietot multiinstrumentu visdažādākajiem uzdevumiem. To skaitā ir tādi sarežģīti darbi, kā slīpēšana, izgriešana, gravēšana, frēzēšana, griešana, tīrīšana un pulēšana (ATTĒLS 2).

ATTĒLS 1

- Turētājaptveres uzgrieznis
- Turētājaptvere
- Nosegvācinš
- Stiprinājums
- Taustiņš darbvārpstas fiksēšanai
- Slēdzis un griešanās ātruma regulators

- G. Sukas vāciņš (pa vienam katrā pusē)
- H. Ventilācijas atveres
- I. Cilpa piekāršanai
- J. Turētājaptveres atslēga
- K. Elektriskais vads

TURĒTĀJAPTVERES

Multiinstrumentam paredzētajiem firmas Dremel piederumiem ir dažāda izmēra kāti. Lai multiinstrumentu pielāgotu visiem šiem darbinstrumentiem, tas tiek piegādāts kopā ar ātru izmēru turētājaptverēm. Turētājaptveres izmēru nosaka gredzenu skaits uz tās aizmugures daļas.

ATTĒLS 3

- L. 3,2 mm turētājaptvere bez gredzena (480)
- M. 2,4 mm turētājaptvere ar trim gredzeniem (481)
- N. 1,6 mm turētājaptvere ar diviem gredzeniem (482)
- O. 0,8 mm turētājaptvere ar vienu gredzenu (483)

PIEZĪME. Daži multiinstrumenti var netikt piegādāti ar pilnu ātru turētājaptveru komplektu. Turētājaptveres var iegādāties arī atsevišķi.

Vienmēr izmantojiet turētājaptveri, kuras izmērs atbilst lietojamā darbinstrumenta kāta izmēram. Nemēģiniet ar spēku ievietot lielāka izmēra darbinstrumenta kātu mazāka izmēra turētājaptverē.

TURĒTĀJAPTVERES NOMAIJA

ATTĒLS 4

- P. Taustiņš darbvārpstas fiksēšanai
- Q. Turētājaptveres atslēga
- R. Pieskrūvēšana
- S. Atskrūvēšana
- T. Turētājaptveres uzgrieznis

1. Nospiediet darbvārpstas fiksēšanas taustiņu un, turot to nospiestu, ar roku grieziet darbvārpstu, līdz tā fiksējas. Nenospiediet darbvārpstas fiksēšanas taustiņu laikā, kad multiinstrumenti darbojas.
2. Turot nospiestu darbvārpstas fiksēšanas taustiņu, noskrūvējiet turētājaptveres uzgriezni. Ja nepieciešams, lietojiet šim nolūkam turētājaptveres atslēgu.
3. Izvelciet turētājaptveri no darbvārpstas stiprinājumā.
4. Ievietojiet darbvārpstas stiprinājumā vajadzīgā izmēra turētājaptveri un ar pirkstiem pieskrūvējiet turētājaptveres uzgriezni. Nemēģiniet līdz galam pieskrūvēt uzgriezni, ja turētājaptverē neatrodas darbinstrumenta kāts.

DARBINSTRUMENTA NOMAIJA

ATTĒLI 5/6

- U. Taustiņš darbvārpstas fiksēšanai

1. Nospiediet darbvārpstas fiksēšanas taustiņu un, turot to nospiestu, grieziet darbvārpstu, līdz tā fiksējas. Nenospiediet fiksēšanas taustiņu laikā, kad darbvārpsta griežas.

2. Turot nospiestu darbvārpstas fiksēšanas taustiņu, atskrūvējiet (bet nenoskrūvējiet) turētājaptveres uzgriezni. Ja nepieciešams, lietojiet šim nolūkam turētājaptveres atslēgu.
 3. Līdz galam ievietojiet turētājaptverē darbinstrumenta vai piederuma kātu.
 4. Turot nospiestu darbvārpstas fiksēšanas taustiņu, ar pirkstiem pieskrūvējiet turētājaptveres uzgriezni, līdz darbinstrumenta vai piederuma kāts tiek stingri iespiests turētājaptverē.
- PIEZĪME. Lai iegūtu sīkāku informāciju par firmas Dremel darbinstrumenta lietošanu, noteikti izlasiet kopā ar to piegādāto lietošanas pamācību.*

Lietojiet tikai firmā Dremel ražotus labi pārbaudītus augstas kvalitātes darbinstrumentus.

DARBA UZSĀKŠANA

LIETOŠANA

Pirmais solis multiinstrumenta lietošanā ir pierast pie tā. Paturiet multiinstrumentu rokā un izjūtiēt tā svaru un līdzsvarojumu. Pierodiet pie tā izstieptās konusveida formas. Tā ļauj turēt multiinstrumentu līdzīgi tam, kā tiek turēts zīmulis vai pildspalva. Unikāls mikstais pārklājums multiinstrumenta priekšējā daļā ļauj to ērti turēt un droši vadīt.

Netuviniet elektroinstrumentu sejai. Darba laikā rotējošie darbinstrumenti var salūzt, un to daļas var lidot prom ar lielu ātrumu.

Turot elektroinstrumentu, nenosedziet ar roku tā ventilācijas atveres. Nosegtas ventilācijas atveres var būt par cēloni dzinēja pārkaršanai.

SVARĪGI! Lai pierastu pie multiinstrumenta lielā griešanās ātruma, veiciet apstrādes mēģinājumus uz materiāla atgriezumā. Atcerieties, ka multiinstrumenti vislabāk darbojas pie pietiekoši liela ātruma, kopā ar to izmantojot pareizi izvēlētas firmas Dremel darbinstrumentus un piederumus. Lietojot multiinstrumentu, iespējams robežas strādājiet ar nelielu spiedienu uz darbinstrumentu. Lēni tuviniet rotējošo darbinstrumentu apstrādājamā priekšmeta virsmai un ļaujiet tam saskarties ar virsmu punktā, no kura vēlaties sākt apstrādi. Uzmanīgi vadiet darbinstrumentu pa apstrādājamo virsmu, izdarot uz to minimālu spiedienu. Ļaujiet darbinstrumentam darīt darbu pašam.

Labāki rezultāti parasti tiek sasniegti tad, ja apstrāde notiek vairākos paņēmiens, pārvietojot darbinstrumentu pa apstrādes vietu vairākas reizes. Ar darbinstrumentu viegli skariet apstrādājamo virsmu, jo tad elektroinstrumentu ir vieglāk vadīt un samazinās iespēja kļūdities.

Multiinstrumentu ir vieglāk vadīt, turot to kā zīmuli starp īkšķi un rādītājpirkstu (ATTĒLS 7).

Multiinstrumentu ieteicams turēt kā golfa nūju, ja veicams smagāks darbs, piemēram, slīpēšana vai griešana ar abrazīvo disku (ATTĒLS 8).

GRIEŠANĀS ĀTRUMS

Šis multiinstrumenti ir rotācijas elektroinstrumenti, kas darbojas ar lielu ātrumu. Tā griešanās ātrumu var mainīt robežās no 10000 līdz 33000 apgriezieniem minūtē. Pareiza griešanās ātruma izvēle ļauj sasniegt labākus darba rezultātus. Lai panāktu

optimālus darba rezultātus, apstrādājot dažādus materiālus, izvēlieties darbinstrumenta griešanās ātrumu, kas atbilst veicamā darba raksturam. Lai pareizi izvēlētos lietojamajam darbinstrumentam atbilstošu griešanās ātrumu, veiciet apstrādes mēģinājumu uz materiāla atgriezumā.

PIEZĪME. Elektroinstrumenta griešanās ātrumu ietekmē barojošā sprieguma izmaiņas. Samazinoties barojošajam spriegumam, samazinās arī griešanās ātrums, īpaši pie nelieliem griešanās ātruma uzstādījumiem. Ja elektroinstruments griežas pārāk lēni, attiecīgi palieliniet tā griešanās ātruma uzstādījumu. Ja barojošais spriegums ir zemāks par 220 V, elektroinstruments pie minimālā griešanās ātruma uzstādījuma var neuzsākt darboties. Šādā gadījumā vienkārši palieliniet griešanās ātruma uzstādījumu. Sērijas 300 multiinstrumenta griešanās ātruma uzstādījumi ir parādīti uz īpašas skalas blakus regulējošajam rokturim. Lai noteiktu apstrādājamajam materiālam un lietojamajam darbinstrumentam atbilstošu griešanās ātruma uzstādījumu, izmantojiet lappusēs 4-6 sniegto tabulu.

- A) Sausu sienu apstrāde. Vislabākie rezultāti tiek sasniegti pie griešanās ātruma 33000 apgr./min.
- B) Javas apstrāde sienu un grīdas salaidumos. Lietojiet iestādījumus 6-8.
- *) Ātrums nelielu griezumu veidošanai. Uzmanību, dziļās gropēs var notikt apstrādājamā materiāla piedegšana.
-) Atkarībā no griešanas virziena attiecībā pret abrazīvā materiāla vērsuma virzienu.

Vairumu darbu iespējams veikt, darbinot elektroinstrumentu ar maksimālo griešanās ātrumu. Taču dažus materiālus (dažu veidu plastmasas un metālus) var bojāt siltums, kas pie liela griešanās ātruma izdalās apstrādes vietā, tāpēc tie jāapstrādā ar relatīvi nelielu griešanās ātrumu. Neliels griešanās ātrums (15000 apgr./min. vai mazāks) parasti ir optimāls, veicot pulēšanu ar filca pulēšanas piederumiem. Visu veidu apstrāde ar suku ir veicama ar nelielu griešanās ātrumu, kas ļauj novērst stieplu atdalīšanos no turētāja. Darbinot elektroinstrumentu ar nelielu griešanās ātrumu, ļaujiet tam darīt darbu pašam. Lielāku griešanās ātrumu ieteicams izmantot, apstrādājot cietas koka šķirnes, metālu un stiklu un veicot urbšanu, gravēšanu, griešanu, frēzēšanu, šķērsfrēzēšanu un gropju iefrēzēšanu kokā. Uzstādījumi, kas atbilst noteiktām griešanās ātruma vērtībām, ir šādi.

Regulatora uzstādījums	Griešanās ātruma diapazons
1-2	10000-14000 apgr./min.
3-4	15000-19000 apgr./min.
5-6	20000-24000 apgr./min.
7-8	25000-29000 apgr./min.
9-10	30000-33000 apgr./min.

Daži norādījumi attiecībā uz elektroinstrumenta griešanās ātrumu.

- Plastmasa un citi materiāli ar zemu kušanas temperatūru jāgriež ar nelielu griešanās ātrumu.
- Materiālu pulēšana un tīrīšana ar stieplu suku jāveic ar griešanās ātrumu, kas nepārsniedz 15000 apgr./min., jo tas ļauj novērst suku un apstrādājamā materiāla sabojāšanu.
- Koka griešana jāveic ar lielu griešanās ātrumu.
- Dzelzs un tērauda griešana jāveic ar lielu griešanās ātrumu.
- Ja ātrgriezējītērauda griešanas disks sāk vibrēt, tas parasti norāda, ka diska griešanās ātrums ir pārāk mazs.

- Alumīniju, vara, svina un cinka sakausējumus un alvu var griezt ar dažādu ātrumu, kas jāizvēlas atkarībā no veicamā darba rakstura. Lai novērstu griežamā materiāla pielipšanu griešanas darbinstrumentam, pārklājiet darbinstrumentu ar parafīnu vai citiem eļļojošajiem šķidrumiem (taču ne ar ūdeni).

PIEZĪME. Ja apstrāde nenotiek ar pietiekošu ātrumu, elektroinstrumenta veiktspēja neuzlabosies, palielinot spiedienu uz to. Lai panāktu vēlamo rezultātu, mēģiniet lietot cita tipa darbinstrumentu vai izmainiet elektroinstrumenta griešanās ātrumu.

APKALPOŠANA

Elektroinstrumenta preventīvās apkalpošanas laikā, ko veicis nepilnvarots personāls, var tikt izmainīts iekšējo savienotāju un citu sastāvdaļu novietojums, kas var radīt nopietnas briesmas lietotājam. Mēs iesakām visus elektroinstrumenta apkalpošanas darbus veikt firmas Dremel pilnvarotā tehniskās apkalpošanas iestādē. Lai izvairītos no elektriskā trieciena un savainojumiem elektroinstrumenta patvaļīgas ieslēgšanās dēļ, pirms tīrīšanas vai apkalpošanas atvienojiet tā elektriskā vada kontaktdakšu no elektrotīkla kontaktligzdas.

OGLEKĻA SUKAS

Elektroinstrumentā izmantojamās oglekļa sukuas ir ļoti izturīgas un paredzētas ilgstošai lietošanai. Lai sukuas sagatavotu lietošanai, ievietojiet tās elektroinstrumentā un 5 minūtes darbiniet to tukšgaitā ar pilnu ātrumu. Tas nodrošina sukām pareizu piestrādi un ļauj palielināt elektroinstrumenta kalpošanas laiku. Lai saglabātos augsts dzinēja lietderības koeficients, ik pēc 40-50 darba stundām pārbaidiet suku nodilumu. Lietojot elektroinstrumentu ar nodilušām sukām, tā dzinējs var tikt neatgriezeniski sabojāts. Nomainībai lietojiet vienīgi firmas Dremel oriģinālās sukuas. Pārbaudiet multiinstrumenta sukuas ik pēc 40-50 darba stundām. Ja multiinstruments darbojas ar pārtraukumiem, ar samazinātu jaudu vai neoarasti trokšņo, pārbaudiet suku nodilumu un vajadzības gadījumā veiciet to nomainītu. Lai pārbaudītu un/vai nomainītu multiinstrumenta sukuas, veiciet šādas darbības.

1. Atvienojiet elektroinstrumentu no elektrotīkla un novietojiet to uz tīras virsmas. Lai izskrūvētu suku vāciņus, lietojiet turētājaptveres atslēgu kā skrūvgriezi (ATTĒLS 9).
2. Izņemiet sukuas no elektroinstrumenta, izvelkot ar oglekļa suku savienoto atsperi. Ja oglekļa sukuas garums ir mazāks par 3 mm, un tās virsma, kas saskaras ar kolektoru, ir raupija, suku nepieciešams nomainīt. Noteikti pārbaudiet abas elektroinstrumenta sukuas (ATTĒLS 10).
3. Lai panāktu efektīvu multiinstrumenta darbību, abas tās sukuas jānomaina arī tad, ja nolietojusies ir tikai viena no tām. Izmetiet nolietotās sukuas.
4. Ievietojiet elektroinstrumentā jaunās oglekļa sukuas; ir tikai viens veids, kā ievietot sukuas turētājos.
5. Ieskrūvējiet elektroinstrumentā suku vāciņus, griežot tos pulksteņa rādītāju kustības virzienā. Suku vāciņu pieskrūvēšanai lietojiet turētājaptveres atslēgu, taču

NEPIEVELCIET VĀCIJUS PĀRĀK STINGRI! Pēc suku nomaiņas un pirms elektroinstrumenta lietošanas (darbināšanas ar pilnu slodzi) novietojiet elektroinstrumentu uz tīras virsmas un 5 minūtes darbiniet tukšgaitā ar pilnu ātrumu. Tas nodrošina sukām pareizu piestrādi un ļauj palielināt suku komplekta kalpošanas laiku. Šādi palielinās arī elektroinstrumenta kalpošanas laiks, jo mazāk noliejot komutatora virsma

ELEKTROINSTRUMENTA TĪRĪŠANA

PIRMS TĪRĪŠANAS ATVIENOJIET ELEKTROINSTRUMENTU NO ELEKTROTĪKLA

Elektroinstrumenta ventilācijas atverēm jābūt tīrām un nenosprostotām. Nemēģiniet tīrīt elektroinstrumentu, ievadot tā ventilācijas atverēs tievus priekšmetus.

Elektroinstrumenta tīrīšanai jāizmanto saspiests gaiss. Veicot elektroinstrumenta tīrīšanu ar saspiestu gaisu, vienmēr uzlieciet aizsargbrilles.

Firmas Dremel multiinstrumentam nav nepieciešama eļļošana.

Daži tīrīšanas līdzekļi un šķīdinātāji bojā elektroinstrumenta plastmasas daļas. Pie tādiem pieder benzīns, oglekļa tetrahlorīds, hlora saturoši šķīdinātāji, amonjaks un mājaisaimniecībā lietojamie mazgāšanas līdzekļi, kas satur amonjaku.

Notīriet ar miksto pārklājumu apdarinātās elektroinstrumenta korpusa daļas, apslaukot tās ar mitru audumu. Atsevišķām korpusa daļām var būt nepieciešama pamatīgāka tīrīšana.

APKALPOŠANA UN GARANTĪJA

Šim firmas DREMEL izstrādājumam ir noteikta garantija atbilstoši spēkā esošajai starptautiskajai un nacionālajai likumdošanai. Garantija neattiecas uz bojājumiem, kuru cēlonis ir elektroinstrumenta normāla nolietošānās, pārslodze vai nepareiza apiešanās ar to.

Rodoties pretenzijām, nosūtiet elektroinstrumentu *neizjauktā veidā* uz tuvāko specializēto tirdzniecības vietu kopā ar iegādes datumu apliecināšu dokumentu.

KONTAKTI AR FIRMU DREMEL

Lai saņemtu sīkāku informāciju par firmas Dremel izstrādājumu sortimentu, lietotāju atbalstu un konsultāciju tālruņa numuru, atveriet datortīkla vietni www.dremel.com

Dremel Europe, P.O. Box 3267, 4800 DG Breda, Nederlande

تعليمات أمان عامة



تحذير

اقرأ جميع التعليمات.

قد يؤدي عدم اتباع جميع التعليمات الواردة أدناه إلى صدمة كهربائية، و/أو حرق، و/أو إصابة بالغة. يشير مصطلح "الأداة الكهربائية" الوارد في جميع التحذيرات المذكورة أدناه إلى اداتك الكهربائية التي يتم تشغيلها بالتيار الكهربائي (بإستعمال الأسلاك).

احفظ هذه التعليمات


١. منطقة العمل

- حافظ على نظافة منطقة العمل وإضاءتها الجيدة. تشجع المناطق التي يسودها القوضى والظلام على وقوع الحوادث.
- لا تقم بتشغيل الأدوات الكهربائية في أوساط قابلة للانفجار مثل التشغيل في وجود سوائل أو غازات أو أتربة قابلة للاشتعال. ينبعث من الأدوات الكهربائية شرر قد يعمل على إشعال الغبار أو الأذخنة.
- أبعد الأطفال والمتفرجين أثناء تشغيل أداة كهربائية. قد يتسبب تشتيت الانتباه في فقدانك للتحكم.

٢. الأمان الكهربائي

- يجب أن تتطابق قوايس الأداة الكهربائية مع المنفذ. ولا تدخل أي تعديلات على القابس بأي شكل من الأشكال. لا تستخدم أي قوايس مهيأنة مع الأدوات الكهربائية المتصلة بالأرض (مؤرضة). ستقلل القوايس غير المعدلة والمنافذ المتطابقة من خطر الصدمة الكهربائية.
- تجنب ملامسة الجسم للأسطح المتصلة بالأرض أو المؤرضة مثل الأديبب والمشعاعات وأفران الطهي والتلاجات. هناك خطر متزايد لحدوث صدمة كهربائية في حالة ملامسة جسمك للأدوات المؤرضة أو المتصلة بالأرض.
- لا تعرض الأدوات الكهربائية لظروف الطقس الممطرة أو الرطبة. سيزداد خطر الصدمة الكهربائية في حالة دخول الماء إلى الأداة الكهربائية.
- لا تستخدم السلك بشكل خاطئ. ولا تستخدم السلك لحمل الأداة الكهربائية أو سحبها أو نزعها من القابس. احتفظ بالسلك بعيداً عن الحرارة أو الزيت أو الحواف الحادة أو الأجزاء المتحركة. تزيد الأسلاك التالفة أو المتشابكة من خطر الصدمة الكهربائية.
- استخدم سلك استطالة مناسباً للاستخدام الخارجي عند تشغيل أداة كهربائية في الأماكن الخارجية. يقلل استخدام سلك مناسب للاستخدام الخارجي من خطر الصدمة الكهربائية.

٣. السلامة الشخصية

- كن منتهياً، وانتبه إلى ما تفعله، وتحلّ بحسن التمييز عند تشغيل أداة كهربائية. ولا تستخدم أية أداة كهربائية عندما تكون مرهقاً أو تحت تأثير المخدرات أو الكحول أو العلاج الطبي. قد يؤدي تشتيت الانتباه للحظة واحدة أثناء تشغيل الأدوات الكهربائية إلى إصابة شخصية خطيرة.
- استخدم معدات الأمان. وارتد دائماً أجهزة وقائية البصر.  ستقلل معدات الأمان مثل قناع فلتر الأتربة، أو أحذية الأمان المضادة للترقق، أو الخوذة أو معدات وقائية السمع التي يتم استخدامها في ظروف مناسبة من الإصابات الشخصية.
- تجنب بدء التشغيل المفاجئ. تأكد أن المفتاح في وضع الإيقاف قبل توصيل الطاقة. يشجع حمل الأدوات الكهربائية مع وجود إصبعك على المفتاح أو توصيل الطاقة للأدوات الكهربائية التي يكون المفتاح بها في وضع التشغيل على وقوع حوادث.

- قم بإزالة أي مفتاح ضبط أو مفتاح ربط قبل تشغيل الأداة الكهربائية. قد يتسبب ترك مفتاح الربط أو أي مفتاح متصلاً بجزء دوار في الأداة الكهربائية في وقوع إصابة شخصية.
- لا تتخذ أوضاعاً يحتل فيها توازنك. وحافظ على الثبات والانتزان الملائم دائماً. يؤدي ذلك إلى التمكن من الحصول على تحكم أفضل في الأداة الكهربائية في المواقف المفاجئة.
- ارتد الملابس المناسبة. ولا ترتد ملابس فضفاضة أو مجوهرات. وأبعد شعرك وملابسك وقفاطك بعيداً عن الأجزاء المتحركة. قد تمسك الأجزاء المتحركة بالملابس الفضفاضة أو المجوهرات أو الشعر الطويل.
- إذا كانت الأجزاء مزودة لتوصيل وحدات تجميع الأتربة واستخلاصها، فتأكد من توصيل هذه الأجهزة واستخدامها بالشكل المناسب. قد يؤدي استخدام هذه الأجهزة إلى تقليل المخاطر المتعلقة بالأتربة.

٤. استخدام الأداة الكهربائية والعناية بها

- لا تقرب من استخدام القوة مع الأداة الكهربائية. استخدم الأداة الكهربائية المناسبة للتطبيق الخاص بك. ستقوم الأداة الكهربائية المناسبة بإداء المهمة بشكل أفضل وأكثر أمناً وبالسعة التي صممت من أجلها.
- لا تستخدم الأداة الكهربائية في حالة تعذر تشغيلها أو إيقاف تشغيلها باستخدام المفتاح. تعتبر أي أداة كهربائية تعذر التحكم فيها باستخدام المفتاح أداة خطيرة ويجب إصلاحها.
- افصل القابس من مصدر التيار قبل القيام بأي عمليات ضبط أو تغيير الملحقات أو تخزين الأدوات الكهربائية. تؤدي إجراءات الأمان الوقائية هذه إلى تقليل خطر بدء تشغيل الأداة الكهربائية دون قصد.
- قم بتخزين الأدوات الكهربائية المعطلة بعيداً عن متناول الأطفال ولا تسمح للأشخاص الذين ليسوا على دراية بالأداة الكهربائية أو بهذه التعليمات أن يقوموا بتشغيل الأداة الكهربائية. تصيح الأدوات الكهربائية خطيرة عندما يتعامل معها مستخدمون غير مدربين.
- قم بصيانة الأدوات الكهربائية. وافحص للبحث عن عدم ضبط الأجزاء المتحركة أو إعاقة حركتها، وعن كسر الأجزاء، وأي حالة أخرى قد تؤثر في تشغيل الأداة الكهربائية، وقم بإصلاح الأداة الكهربائية في حالة تلفها قبل استخدامها. تقع العديد من الحوادث بسبب الأدوات الكهربائية التي تعاني من ضعف الصيانة.
- حافظ على حدة أدوات القطع ونظافتها. تقل احتمالية إعاقة حركة أدوات القطع التي لها حواف قطع حادة والتي تتم صيانتها بشكل مناسب، ويسهل التحكم فيها.
- استخدم الأداة الكهربائية والملحقات وأجزاء الأداة وما إلى ذلك بما يتفق مع هذه التعليمات، وبالطريقة المخصصة لنوع الأداة الكهربائية المحدد مع الأخذ في الاعتبار ظروف العمل والعمل المراد إنجازه. قد يؤدي استخدام الأداة الكهربائية في عمليات تشغيل تختلف عن تلك المصممة لها إلى حدوث موقف خطير.

٥. الصيانة

- لا تسمح بصيانة الأداة الكهربائية إلا بمعرفة شخص مؤهل للتصليح. يستخدم قطع الغيار المماثلة فقط. سيضمن ذلك المحافظة على سلامة الأداة الكهربائية.

تحذيرات أمان شائعة في عمليات التجليخ، أو الصنفرة أو الرمل، أو التنظيف بالفرشاة السلكية، أو الصقل، أو عمليات القطع بالسحج

- يتم تصميم هذه الأداة الكهربائية لتقوم بوظيفة الجلاحة، أو أداة الصنفرة، أو الفرشاة السلكية، أو أداة الصقل أو أداة القطع، اقرأ جميع تحذيرات الأمان والتعليمات والرسوم التوضيحية والمواصفات المرفقة مع هذه الأداة الكهربائية. قد يؤدي عدم اتباع جميع التعليمات الواردة أدناه إلى صدمة كهربائية، وإلحاق حرق، وإلحاق إصابة بالغة.
- لا تستخدم الملحقات التي لم تصممها الشركة المصنعة للأدوات أو توص بها بشكل خاص. لا تكفي إمكانية توصيل الملحقات بأداة الكهربائية وحدها لضمان أمان التشغيل.
- يجب أن تكون سرعة الأداة الملحقة المقررة مساوية على الأقل للسرعة القصوى المميزة بعلامة على الأداة الكهربائية. قد تنكسر الملحقات التي يتم تشغيلها بسرعة أكبر من السرعة المعيارية لها وتتناثر إلى أشلاء.
- يجب أن يقع القطر الخارجي للأداة الملحقة وشمكها في حدود معيارية قدرة أدائك الكهربائية. تتغير حماية الملحقات التي لها أحجام غير مناسبة أو التحكم فيها بالشكل المناسب.
- يجب أن يتناسب حجم تشكيل العجلات أو الحواف الناتجة أو وسائد الدعم أو أي قطعة ملحقة أخرى بشكل لائق مع محور دوران الأداة الكهربائية. سيضطرب اتزان تشغيل الملحقات التي بها فتحات تشكيل لا تتطابق مع مكونات الثنثيث في الأداة الكهربائية، وتيتم بشكل زائد وقد تتسبب في فقدان التحكم.

- لا تستخدم أداة ملحقة تالفة. وقيل الاستخدام، افحص الأداة الملحقة مثل العجلات الكاشطة للكشف عن التشققات والشروخ، ووسادة الدعم للكشف عن الشروخ أو التمزق أو البلى الزائد، أو الفرشاة السلكية للكشف عن الأسلاك المفككة أو المصقوفة، وافحص الأداة الكهربائية أو الأداة الملحقة في حالة سقوطها للكشف عن التلف أو تم بتركيب أداة ملحقة خالية من التلف. بعد فحص أداة ملحقة وتركيبها، ابتعد وأبعد المتفرجين من محيط الأداة الملحقة الدوارة وقم بتشغيل الأداة الكهربائية بسرعة اللاحمل القصوى لمدة دقيقة واحدة. من الطبيعي أن تنكسر الأدوات الملحقة التالفة إلى أجزاء في أول مرة يتم فحصها.
- ارتد معدات الوقاية الشخصية، استخدم واقي الوجه أو نظائير الأمان أو نظارات الأمان وذلك حسب التطبيق. ارتد قناع فلتر الأتربة وواقبات السمع والقفازات ومريلة العمل ورشة العمل التي تحتجز المواد الكاشطة الصغيرة أو شظايا قطع العمل بما يتلام مع طبيعة العمل. يجب أن تتمكن أداة وقاية البصر من احتجاز شظايا الحطام المتطايرة التي تتكون من العمليات المتعددة. ويجب أن يتمكن قناع فلتر الأتربة أو الكمامة من فلتره الجسيمات التي تتكون من عملية التشغيل التي تقوم بها. وقد يتسبب التعرض الطويل للضوضاء عالية الشدة في فقدان السمع.
- أبعد المتفرجين من حوكم ليكونوا على مسافة آمنة من منطقة العمل، ويجب أن يرتدي أي شخص يدخل في منطقة العمل معدات الأمان الشخصية. قد تتطاير شظايا قطع العمل أو شظايا أداة ملحقة مكسورة بعيداً وتتسبب في الإصابة إلى ما بعد حدود منطقة التشغيل القريبة.
- لا تمسك للأداة الكهربائية إلا باستخدام مقابض معزولة عند القيام بعملية تشغيل قد تتلامس فيها أداة القطع مع أسلاك مخفية أو مع السلك الخاص بها. قد يؤدي تلامس أداة القطع لسلك "به تيار كهربائي نشط" إلى "سريان التيار الكهربائي النشط" في الأجزاء المعدنية المكشوفة في الأداة الكهربائية وقد يعرض المشغل لصدمة كهربائية.

ي. ضع السلك بعيداً عن الأداة الملحقة الدوارة. إذا فقدت التحكم، فإن السلك قد يكون مقطوعاً أو ممزقاً أو انزلقت يدك أو ذراعك إلى داخل الأداة الملحقة الدوارة.

- لا تترك الأداة الكهربائية من يديك حتى تكون الأداة الملحقة قد توقفت تماماً. قد تمسك الأداة الملحقة الدوارة في السطح وتفقد التحكم في الأداة الكهربائية.
- لا تقم بتشغيل الأداة الكهربائية وأنت تمسك بها ناحتبك. قد يؤدي التلامس غير المقصود مع الأداة الملحقة الدوارة إلى الإمساك بملابسك وجذب الأداة الملحقة إلى جسمك.
- قم بتنظيف فتحات تهوية الأداة الكهربائية بشكل منظم. ستقوم مروحة الموتور بسحب التراب إلى داخل المبيت وقد يتسبب التراكم المتزايد للمساحيق المعدنية في المخاطر الكهربائية.
- لا تقم بتشغيل الأداة الكهربائية بالقرب من المواد سريعة الاشتعال. قد يؤدي الشرر إلى إشعال تلك المواد.
- لا تستخدم الأدوات الملحقة التي تحتاج إلى سواحل تبريد. قد يؤدي استخدام المياه أو سواحل تبريد أخرى إلى الصق الكهربي أو الصدمة الكهربائية.
- لا تعمل باستخدام مواد تحتوي على الأسبستوس (الحرير الصخري) (يعتبر الأسبستوس مادة مسرطنة).
- اتخذ إجراءات وقائية أثناء العمل الذي يتكون فيه الغبار الذي يضر صحة الإنسان أو القابل للاشتعال أو الانفجار (تعتبر بعض الأتربة مسرطنة)؛ وارتد قناع فلتر الأتربة واعمل باستخدام أداة استخراج الغبار/النشطايا عند توصيلها.

حركات الآلة المفاجئة والتحذيرات المتعلقة بها

- حركة الأداة المفاجئة هي رد فعل مفاجئ بسبب ضغط أو عرقلة العجلة الدوارة أو وسادة الدعم أو الفرشاة أو أي أداة ملحقة أخرى. ويتسبب الضغط أو العرقلة في التوقف المفاجئ السريع للأداة الملحقة الدوارة والذي يتسبب بدوره في إرغام تحول الأداة الكهربائية غير المتحكم فيها في الاتجاه المعاكس لدوران الأداة الملحقة عند نقطة العرقلة. فعلى سبيل المثال، في حالة عرقلة عجلة كاشطة أو الضغط عليها بواسطة قطعة العمل، فإن حافة العجلة التي تتعرض لنقطة الضغط قد تؤدي إلى الحفر في سطح المادة بما يتسبب في القفز المرتفع للعجلة أو إزاحتها بعيداً. وإما أن تنفجر العجلة ناحية المشغل أو بعيداً عنه، ويتوقف ذلك على اتجاه حركة العجلة في النقطة التي وقع عندها الضغط. كما أن العجلات الكاشطة قد تنكسر في ظل تلك الظروف. وتحدث حركة الأداة المفاجئة نتيجة لسوء استخدام الأداة الكهربائية و/أو ظروف أو إجراءات تشغيل غير مناسبة، ويمكن تجنبها عن طريق اتخاذ الاحتياطات المناسبة كما هي محددة أدناه.
- احتفظ بقبضة ثابتة على الأداة الكهربائية، وضع جسمك وذراعك في موضع يتيح لك مقاومة قوى حركة الأداة المفاجئة، واستخدم دائماً مقيضاً مساعداً في حالة توفره للحصول على أقصى تحكم في حركة الأداة المفاجئة أو رد فعل العزم أثناء بدء التشغيل. يستطيع المشغل التحكم في ردود أفعال العزم أو قوى حركة الأداة المفاجئة في حالة اتخاذ الاحتياطات المناسبة.
- لا تضع يديك بالقرب من الأداة الملحقة الدوارة. قد تتحرك الأداة الملحقة حركة مفاجئة على يديك.
- لا تضع جسمك في منطقة ستتحرك فيها الأداة الكهربائية في حالة حدوث حركة مفاجئة. ستدفع الحركة المفاجئة الأداة في الاتجاه المعاكس لحركة العجلة عند نقطة العرقلة.
- توخ الحذر بشكل خاص عند التعامل مع الأركان والحواف الحادة وغيرها، وتجنب أن تسمح بقفز الأداة الملحقة أو الضغط عليها. تميل الأركان أو الحواف الحادة أو قفز الأداة إلى عرقلة الأداة وتتسبب في فقدان التحكم أو حركة مفاجئة للأداة.

هـ. لا تتم بتريكيب شفرة حفر الخشب بسلسلة المنشار أو شفرة المنشار الممنون. تتسبب هذه الشفرات في تكرار الحركة المفاجئة للأداة وفقدان التحكم فيها.

تحذيرات أمان خاصة بعمليات التجليخ وعمليات القطع بالسحج

- لا تستخدم إلا أنواع العجلات الموصى بها لأداتك الكهربية والوفاي المصمم خصيصاً للعجلة المحددة. لا تتم حماية العجلات التي لم تصمم الأداة الكهربية لها بالشكل المناسب وتكون غير آمنة.
- يجب عدم استخدام العجلات إلا في التطبيقات الموصى بها. فمثلاً، لا تجلخ باستخدام جانب عجلة القطع. يتم تصميم عجلات القطع الكاشطة من أجل التجليخ المحيطي وقد تتسبب القوى الجانبية الواقعة على هذه العجلات في تحطيمها.
- استخدم دائماً حواف العجلة غير التالفة ذات الحجم والشكل المناسبين للعجلة المحددة. تعمل حواف العجلة المناسبة على دعم العجلة ومن ثم تقليل احتمالية تعرض العجلة للكسر. قد تكون حواف عجلات القطع مختلفة عن حواف عجلات التجليخ.
- لا تستخدم عجلات بالية لأدوات كهربية أكبر. لا تتناسب العجلة المصممة لأداة كهربية أكبر مع السرعة الأعلى لأداة أصغر وقد تتعرض للانفجار.

تحذيرات أمان إضافية خاصة بعمليات القطع بالسحج

- لا "تعلق" حركة عجلة القطع ولا تضغط عليها بشكل زائد. ولا تحاول إحداث قطع بعمق مبالغ فيه. تؤدي زيادة الضغط على العجلة إلى زيادة الحمولة وقابلية التواء العجلة أو عرقلتها في القطع واحتمالية تحرك العجلة بشكل مفاجئ أو انكسارها.
- لا تضع جسمك في محاذة العجلة الدوارة وخلفها. عندما تتحرك العجلة بعيداً عن جسمك أثناء التشغيل، فإن الحركة المفاجئة المحتملة قد تدفع عجلة التدويم والأداة الكهربية تحرك مباشرة.
- عند عرقلة العجلة أو عند إعاقة القطع لأي سبب من الأسباب، أوقف تشغيل الأداة الكهربية وحافظ على ثبات الأداة الكهربية دون حركة حتى تتوقف العجلة تمامًا. ولا تحاول إخراج عجلة القطع من المقطع أثناء وجودها قيد الحركة وإلا فقد تصدر منها حركة مفاجئة. تحقق واتخذ الإجراءات التصحيحية للقضاء على سبب عرقلة العجلة.
- لا تعد تشغيل القطع في قطعة العمل. وأمهل العجلة حتى تصل إلى سرعتها الكاملة وأعد إدخالها في القطع بحرص. قد تتم عرقلة العجلة أو ترتفع إلى أعلى أو تصدر منها حركة مفاجئة في حالة إعادة تشغيل الأداة الكهربية داخل قطعة العمل.
- هـ. ادعم الأواح أو أي قطعة عمل كبيرة الحجم للحد من خطر ضغط العجلة أو صدور حركة مفاجئة منها. تميل قطع العمل الكبيرة إلى عدم الثبات بسبب وزنها. ويجب أن يتم وضع الدعامت تحت قطعة العمل بالقرب من خط القطع وبالقرب من حافة قطعة العمل على كلا جانبي العجلة.
- و. توخ مزيداً من الحذر عند عمل "قطع جيبي" في الحوائط الموجودة أو المناطق الأخرى المصمتة. قد تقطع العجلة الناتئة أنابيب الغاز أو المياه، أو الأسلاك الكهربية أو الأشياء التي قد تتسبب حركة مفاجئة.

تحذيرات أمان خاصة بعمليات الصنفرة بالرمل

أ. عند الصنفرة بالرمل، لا تستخدم ورق قرص صنفرة بحجم كبير زائد عن الحد. واتبع توصيات الشركة المصنعة عند تحديد ورق الصنفرة. ينتج عن استخدام ورق الصنفرة الأكبر حجمًا والذي يمتد إلى ما بعد وسادة الصنفرة خطر التمزق وقد يتسبب في عرقلة القرص أو تمزقه أو صدور حركة مفاجئة.

تحذيرات أمان خاصة بعمليات الصقل

أ. لا تترك أي جزء سائب من قطنسوة الصقل أو خيوط الربط الخاصة بها تدور دون عائق. قم بتثبيت أي خيوط ربط مفكوكة أو تشديبها. قد تؤدي خيوط الربط المفكوكة والدوارة إلى ربط أصابعك أو عرقلة قطع العمل.

تحذيرات أمان خاصة بعمليات استخدام الفرشاة السلكية

أ. كن على دراية بأن الشعر السلكي يتطاير أثناء استخدام الفرشاة حتى أثناء التشغيل العادي. فلا تضغط بشكل زائد على الأسلاك من خلال وضع حمولة زائدة على الفرشاة. قد يفتقر الشعر السلكي الملابس الخفيفة و/أو البشرة بسهولة.

ب. لا تسمح بأي تداخل للعجلة أو الفرشاة السلكية مع هذا الوفاي في حالة التوضي باستخدام واق من أجل التنظيف بالفرشاة السلكية. قد يزداد قطر العجلة أو الفرشاة السلكية بسبب حمولة العمل وقوى الطرد المركزي.

البيئة

التخلص من الأداة

ينبغي فرز الماكينات والملحقات والتغليف لإعادة تدويرها بشكل لا يضر بالبيئة.

خاص بالدول الأوروبية فقط

لا تتخلص من الأدوات الكهربية في النفايات المنزلية! يجب تجميع الأدوات الكهربية التي لم تعد قابلة للاستخدام بشكل منفصل والتخلص منها بطريقة مناسبة بيئيًا وذلك بموجب التوجيه الأوروبي 2002/96/EC الخاص بنفايات المعدات الكهربية والإلكترونية وتنفيذه في الحقوق الوطنية.



المواصفات

مواصفات عامة

معايرة الجهد الكهربي ٢٣٠-٢٤٠ فولت، ٦٠-٥٠ هرتز
معايرة الأمبيرية ٠,٥ أمبير
سرعة اللاحمل ٣٣.٠٠٠/دقيقة
سعة القابض ٠,٨ مم، ١,٦ مم، ٢,٤ مم، ٣,٢ مم

أسلاك الاستطالة

استخدم أسلاك الاستطالة الآمنة والممدودة بالكامل بسعة تيار تصل إلى ٥ أمبير.

مواصفات الموتور

تستخدم الأداة متعددة الاستخدامات موتورًا ذا سرعة متغيرة. وقد تم تزويده بأسلاك ليُعمل على جهد كهربائي ٢٢٠-٢٤٠ فولت، ٦٠٠٥٠ هرتز. تحقق دائمًا من أن الفولطية المزودة هي نفس الفولطية المشار إليها على لوحة بيانات الأداة (يمكن توصيل الأدوات ذات المعايير ٢٣٠ فولت أو ٢٤٠ فولت بمصدر تيار ٢٢٠ فولت)

التجميع

احرص دومًا على فصل الأداة متعددة الاستخدامات قبل تغيير الملحقات أو تغيير أدوات القبض على الأشياء أو صيانة الأداة.

مواصفات عامة

تميز أداة Dremel متعددة الاستخدامات بأنها أداة ضبط عالية الجودة يمكن استخدامها للقيام بمهام تفصيلية ومعقدة. ويتيح النطاق الواسع للكماليات والملحقات الخاصة بشركة Dremel أن تقوم بإجراء مجموعة متنوعة وكبيرة من المهام. وتشتمل تلك المجموعة على مهام مثل الصنفرة باستخدام الرمل، والنحت، والتوجيه، والقطع، والتنظيف، والصلق. الصورة ٢

الصورة ١

- صامولة القابض
- القابض
- غطاء المبيت
- واجهة الربط
- زر قفل عمود الدوران
- مفتاح التشغيل/إيقاف التشغيل وقرص السرعة المتغيرة
- غطاء الفرشاة (واحد على كل جانب)
- فتحات التهوية
- أداة التعليق
- مفتاح ربط القابض
- سلك الطاقة

الأدوات القابضة

تتوافر ملحقات Dremel للأداة متعددة الاستخدامات التي تأتي بأحجام مختلفة لساق الأداة. وتتوافر أدوات قابضة بأربعة أحجام لتلائم أحجام الساق المختلفة. ويتم تحديد أحجام القابض عن طريق الحلقات الموجودة على الجانب الخلفي للقابض.

الصورة ٣

- قابض بدون حلقة ٣,٢ مم (٤٨٠)
- قابض بثلاث حلقات ٢,٤ مم (٤٨١)
- قابض بحلقتين ١,٦ مم (٤٨٢)
- قابض بحلقة واحدة ٠,٨ مم (٤٨٣)

ملاحظة: قد لا تشتمل بعض أطعم الأداة متعددة الاستخدامات على أحجام القابض الأربعة كلها. تتوافر أدوات القبض على الأشياء على كل حدة.

استخدم دائمًا القابض الذي يطابق مع حجم ساق الأداة الملحقة التي تخطط لاستخدامها. ولا تدخل بالوة ساقًا قطرًا أكبر في قابض أصغر حجمًا.

تغيير أدوات القبض على الأشياء

الصورة ٤

- زر قفل عمود الدوران
- مفتاح ربط القابض
- لإحكام الربط
- للإرخاء
- صامولة القابض

- اضغط على زر قفل عمود الدوران واستمر في الضغط عليه وقم بإدارة عمود الدوران يدويًا حتى يتم تعشيق قفل عمود الدوران. لا تقم بتعشيق زر قفل عمود الدوران أثناء وجود الأداة متعددة الاستخدامات قيد التشغيل.
- قم بفتح صامولة القابض وإخراجها عند تعشيق زر قفل عمود الدوران. استخدم مفتاح ربط القابض إذا لزم الأمر.
- أخلع القابض عن طريق سحبه وتحريكه من عمود الدوران.
- قم بتثبيت القابض ذي الحجم المناسب بالكامل في عمود الدوران وأعد تركيب صامولة القابض وربطها بأصابعك. لا تحك ربط الصامولة تمامًا عند عدم تركيب لقمة أو أداة ملحقة.

تغيير الملحقات

صورة ٦/٥

ش. زر قفل عمود الدوران

- اضغط على زر قفل عمود الدوران وقم بإدارة عمود الدوران يدويًا حتى يتم تعشيق قفل عمود الدوران. لا تقم بتعشيق زر قفل عمود الدوران أثناء وجود الأداة متعددة الاستخدامات قيد التشغيل.
 - قم بفتح صامولة القابض (ولا تقم بإخراجها) عند تعشيق زر قفل عمود الدوران. استخدم مفتاح ربط القابض إذا لزم الأمر.
 - أدخل اللقمة أو ساق الأداة الملحقة بالكامل في القابض.
 - أحكم بأصبعك ربط صامولة القابض حتى يمسك القابض باللقمة أو بساق الأداة الملحقة عند تعشيق زر قفل عمود الدوران.
- ملاحظة: تأكد من قراءة التعليمات المزودة مع أداة Dremel الملحقة من أجل الحصول على مزيد من المعلومات حول استخدامها.

لا تستخدم إلا الملحقات ذات الأداء العالي التي قامت شركة Dremel بفحصها.

بدء التشغيل

الاستخدام

تتمثل أول خطوة في استخدام الأداة متعددة الاستخدامات في التعرف على "لمسها". احملها في يديك واتسرع بوزنها واتزانها. وتلمس الطرف المستنق للمبيت. حيث يتيح هذا الطرف المستنق الإمساك بالأداة مثل القلم الرصاص أو القلم الحبر. يسمح المبيت الناعم الفريد في المقدمة بالمزيد من الراحة والتحكم أثناء الاستخدام.

أمسك الأداة دائمًا بحيث تكون بعيدة عن وجهك، يمكن أن تتعرض الأدوات الملحقة للتلف أثناء الإمساك بها وقد تظير بعيديًا عند وصولها إلى السرعة. لا تغط فتحات التهوية ببديك عند الإمساك بالأداة، فقد يتسبب سد فتحات التهوية في ارتفاع سخونة الموتور.

هام! تدرّب أولاً على مواد الفلغيات لمعرفة كيفية عمل الأداة بسرعة عالية. وتذكر بأن الأداة متعددة الاستخدامات الخاصة بك ستقدم أفضل أداء عن طريق إتاحة السرعة بالإضافة إلى كماليات وملحقات Dremel المناسبة للقيام بأعمالك. ولا تضغط على الأداة أثناء استخدامها إذا كان ذلك ممكنًا. وبدلاً من ذلك، اخفض الأداة الملحقة الدوارة نوعًا ما إلى سطح العمل واتركها تلامس النقطة التي تريد أن تبدأ منها. وركز على توجيه الأداة من بداية العمل إلى نهايتها عن طريق الضغط بمعدل خفيف جدًا ببديك. واترك الأداة الملحقة تقوم بإجاء العمل. من الأفضل عادة أن تقوم بسلسلة من الجولات باستخدام الأداة بدلاً من القيام بالمهمة كلها في جولة واحدة. توفر اللمسة المعتدلة أفضل تحكم وتقلل من احتمالية الخطأ.

للحصول على أفضل تحكم في العمل، أمسك الأداة متعددة الاستخدامات مثل القلم الرصاص بين إصبعي الإبهام والسبابة. الصورة ٧

يتم اتباع طريقة إمساك "مضرب الغولف" في عمليات التشغيل الأصعب مثل التجليخ أو القطع. الصورة ٨

سرعات التشغيل

هذه الأداة عبارة عن أداة متعددة الاستخدامات ذات سرعة عالية وتفاوت سرعاتها من ١٠,٠٠٠ إلى ٣٣,٠٠٠ دورة في الدقيقة. وسيقط ضبط عدد الدورات في الدقيقة بما يلائم المشروع الذي تعمل على إنجازه نتائج نهائية أفضل. ولتحقيق أفضل النتائج عند العمل بمواد مختلفة، اضبط مفتاح التحكم في السرعة المتغيرة ليناسب المهمة. ولتحديد السرعة المناسبة للأداة الملحقة المستخدمة، قم بإجراء بعض التمارين باستخدام مواد الفنايات أولاً. ملاحظة: تتأثر السرعة بالتغيرات التي تطرأ على الفولطية. وسيؤدي خضض الفولطية الواردة إلى تبطين الدورات في الدقيقة التي تجربها الأداة، خاصة عند أقل إعداد. وإذا تضح أن الأداة تدور ببطء، فقم بزيادة إعداد السرعة وفقاً لذلك. وقد لا تعمل الأداة على أقل إعداد للمفاتيح في المناطق التي تقل فيها الفولطية الصادرة عن ٢٢٠ فولت. قم ببساطة بنقل إعداد السرعة إلى وضع أعلى ليبدأ التشغيل.

وقد تم تمييز إعدادات مفتاح الأداة متعددة الأغراض من فئة ٣٠٠ بعلامة على مفتاح التحكم في السرعة أرجع إلى جدول إعدادات السرعة في الصفحات ٦-٤ للمساعدة في تحديد السرعة المناسبة للمادة التي يتم العمل فيها والأداة الملحقة التي سيتم استخدامها.

(أ) للاستخدام على الحوائط الجافة للحصول على أفضل النتائج استخدم الأداة عند سرعة ٣٣,٠٠٠ دورة في الدقيقة.

(ب) للاستخدام على أسمنت الحوائط والأرضيات. إعداد الاستخدام ٦-٦.

(*) سرعات القطع الخفيف. تنبيه - الاحتراق عند الحزات العميقة.

(□) تعتمد على اتجاه القطع المتعلق بالحيبيات.

يمكن إنجاز معظم المهام باستخدام الأداة وهي في أعلى ضبط. وعلى الرغم من ذلك، قد تتلف بعض المواد (بعض المواد البلاستيكية والمعادن) بسبب الحرارة المتولدة نتيجة السرعة العالية ويُنصح العمل فيها بسرعات منخفضة نسبياً. يعتبر التشغيل منخفض السرعة (١٥,٠٠٠ دورة في الدقيقة أو أقل) هو الأفضل عادةً لعمليات الصقل التي تعمل باستخدام الأدوات الملحقة للصقل الملمس. وتتلائم جميع تطبيقات التنظيف باستخدام الفرشاة سرعات تشغيل أقل لتجنب تساقط الأسلاك من الحامل. اترك أداء الأداة ينجز العمل لك عند استخدام إعدادات السرعة المنخفضة. وتعتبر السرعات الأعلى هي الأفضل في حالة الأخشاب الصلبة والمعادن والزجاج، ومن أجل الحفر، والنحت، والقطع، والتوجيه، والتشكيل وفتح القواعد والوصلات في الخشب. وفيما يلي الإعدادات الخاصة بعدد الدورات في الدقيقة تقريباً:

ضبط المفتاح	نطاق السرعة
٢-١	١٤,٠٠٠-١٠,٠٠٠ دورة في الدقيقة
٤-٣	١٩,٠٠٠-١٥,٠٠٠ دورة في الدقيقة
٦-٥	٢٤,٠٠٠-٢٠,٠٠٠ دورة في الدقيقة
٨-٧	٢٩,٠٠٠-٢٥,٠٠٠ دورة في الدقيقة
١٠-٩	٣٣,٠٠٠-٣٠,٠٠٠ دورة في الدقيقة

بعض الإرشادات المتعلقة بسرعة الأداة:

- ينبغي قطع البلاستيك والمواد الأخرى التي تنزوب عند درجات الحرارة المنخفضة بالسرعات المنخفضة.
- يجب أن تتم عمليات التلميع والصقل والتنظيف بفرشاة سلكية عند سرعات لا تزيد عن ١٥,٠٠٠ دورة في الدقيقة لمنع إتلاف الفرشاة والمادة.
- ينبغي قطع الخشب باستخدام سرعة عالية.
- ينبغي قطع الحديد أو الفولاذ باستخدام سرعة عالية.
- في حالة بدء أداة قطع الفولاذ ذات السرعة العالية بالانحياز، فيشير ذلك عادة إلى تشغيلها بسرعة بطيئة للغاية.
- يمكن قطع الألمونيوم والسبائك النحاسية وسبائك الرصاص وسبائك الزنك والقصدير عند سرعات متباينة، وذلك وفقاً لنوع القطع الذي تقوم به. واستخدم البارافين (وليس الماء) أو أي مادة تزيق أخرى مناسبة على القاطع لمنع التصاق مادة القطع بين القاطع.

ملاحظة: زيادة الضغط على الأداة ليست هي الحل عند عدم التشغيل بالشكل المناسب. وقم بتجريب أداة ملحقة مختلفة أو إعداد سرعة مختلف للوصول إلى النتيجة المطلوبة.

الصيانة

قد يؤدي إجراء الصيانة الوقائية بمعرفة أفراد غير معتمدين إلى وضع الأسلاك والمكونات الداخلية في غير موضعها الصحيح مما قد يتسبب في وجود خطر بالغ. ونوصي بأن يتم إجراء جميع عمليات صيانة الأداة بمعرفة وحدة صيانة Dremel. وقم دائماً بإخراج القابض من منفذ الحائط قبل إجراء الصيانة أو التنظيف لتجنب الإصابة نتيجة بدء التشغيل المفاجئ أو الصدمة الكهربائية.

فرش الكربون

لقد تم عمل التصميم الهندسي للفرش الموجودة في الأداة لكي تعمل لمدة ساعات بخدمة جيدة بالثقة. ولتجهيز الفرش للاستخدام، قم بتشغيل الأداة بالسرعة الكاملة لمدة ٥ دقائق بدون تحميل. سيعمل هذا على "استقرار" الفرش ويقلل من عمر الأداة. وللحفاظ على أقصى كفاءة للموتور، افحص الفرش للكشف عن البلى كل ٤٠-٥٠ ساعة.

يؤدي استخدام الأداة مع فرش بالية إلى التلف الدائم للموتور. استخدم الفرش البديلة الأصلية من Dremel فقط. احصل الفرش متعددة الاستخدامات بعد ٤٠-٥٠ ساعة من الاستخدام. إذا كانت الأداة متعددة الاستخدامات تعمل بشكل غريب أو تفقد الطاقة أو تصدر ضوضاء غير عادية، فافحص الفرش للكشف عن البلى وإجراء التبديل المحتمل. اتبع هذه الخطوات لفحص/تغيير الفرش متعددة الاستخدامات:

١. ضع الأداة على سطح نظيف مع فصل سلك الطاقة. واستخدم مفتاح ربط الأداة كمنفذ لإخراج أغشية الفرشاة الصورة ٩
٢. أخرج الفرش من الأداة من خلال سحب الزنبرك الملحوق بفرشاة الكربون. وإذا كان طول الفرشاة أقل من ٣ مم وسطح الفرشاة الملامس للمبدل خشن أو مخدوش، فينبغي استبدال فرش الكربون. وتأكد من فحص كلا الفرشتين. الصورة ١٠
٣. في حالة وجود فرشاة واحدة بالية، فينبغي عليك استبدال كلا الفرشتين للحصول على أفضل أداء للأداة متعددة الاستخدامات. أخرج الزنبرك من الفرشاة وارم الفرشاة القديمة بعيداً وضع الزنبرك على الفرشاة الجديدة.
٤. ضع فرشاة الكربون وخلفية الزنبرك داخل الأداة، فهناك طريقة واحدة فقط لتتناسب بها الفرشاة داخل الأداة.
٥. أعد وضع أغشية الفرشاة على الأداة من خلال إدارة الغطاء في اتجاه عقارب الساعة. ولإحكام الربط، استخدم مفتاح الربط، ولكن لا تتابع في الربط بعد استبدال الفرش، ينبغي تشغيل الأداة بدون تحميل؛ ضعها على سطح نظيف وقم بتشغيلها بحرية بالسرعة الكاملة لمدة ٥ دقائق قبل تحميل (أو استخدام) الأداة. سيسمح هذا للفرش بأن "تستقر" بشكل سليم ويمنحك ساعات أكثر من عمر كل مجموعة من الفرش. كما سيقلل هذا أيضاً من عمر الأداة طالما أن سطح المبدل سيقل بشكل أفضل وأطول.

تنظيف الأداة

افصل القابض قبل التنظيف

يجب الحفاظ على نظافة فتحات التهوية وأذرع المفتاح وخلوها من المواد الغريبة. ولا تحاول تنظيف الأداة عن طريق إدخال أشياء مستدقة الطرف عبر الفتحات.

فيمكن تنظيف الأداة باستخدام الهواء المضغوط. ارتد دائماً نظائير الأمان عند تنظيف الأداة باستخدام الهواء المضغوط.

لا حاجة إلى تزيق أداة Dremel متعددة الاستخدامات.
هناك مواد تنظيف ومذيبات معينة تُتلف الأجزاء البلاستيكية. يتمثل بعضها فيما يلي: البنزين، رباعي كلوريد الكربون، مذيبات التنظيف المكلورة، الأمونيا، المنظفات المنزلية التي تحتوي على الأمونيا.
قم بتنظيف مناطق "الإمساك الناعمة" بالأداة باستخدام قطعة قماش مبللة. قد تتطلب المناطق الصلبة الأكثر خشونة تطبيق أكثر من مسحة واحدة لتنظيفها.

الخدمة والضمان

يتم ضمان منتج DREMEL هذا بما يتفق مع اللوائح الإلزامية/المخصصة للدولة؛ ويستثنى من هذا الضمان التلف الناتج عن البلى والتآكل العادي أو زيادة الحمل أو التعامل الخاطئ.

في حالة وجود شكوى، أرسل الأداة دون تفكيك مع حجة الشراء إلى الوكيل.

معلومات الاتصال بشركة DREMEL

انتقل إلى www.dremel.com للحصول على مزيد من المعلومات حول مجموعة منتجات Dremel المتنوعة، والدعم، والخط الساخن الخاص بشركة Dremel.

Dremel Europe, P.O. Box 3267, 4800 DG Breda, The Netherlands

