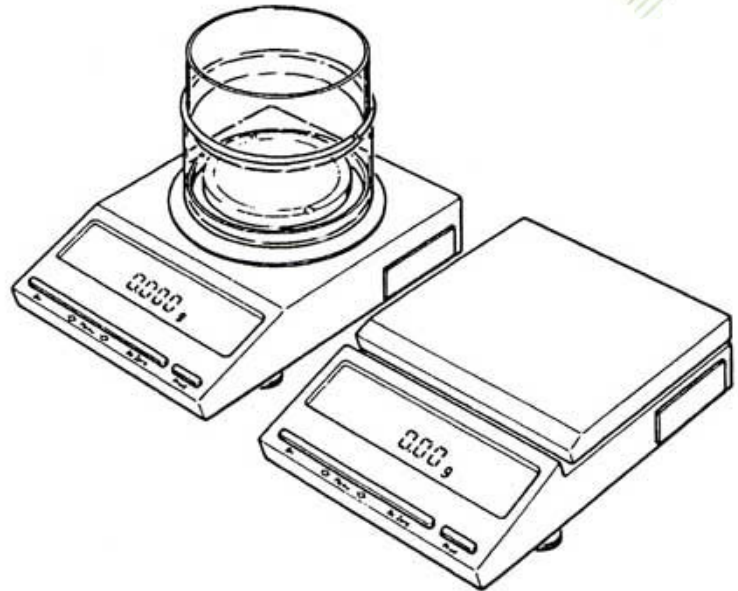


Technical Data and accessories

METTLER
College244...3000

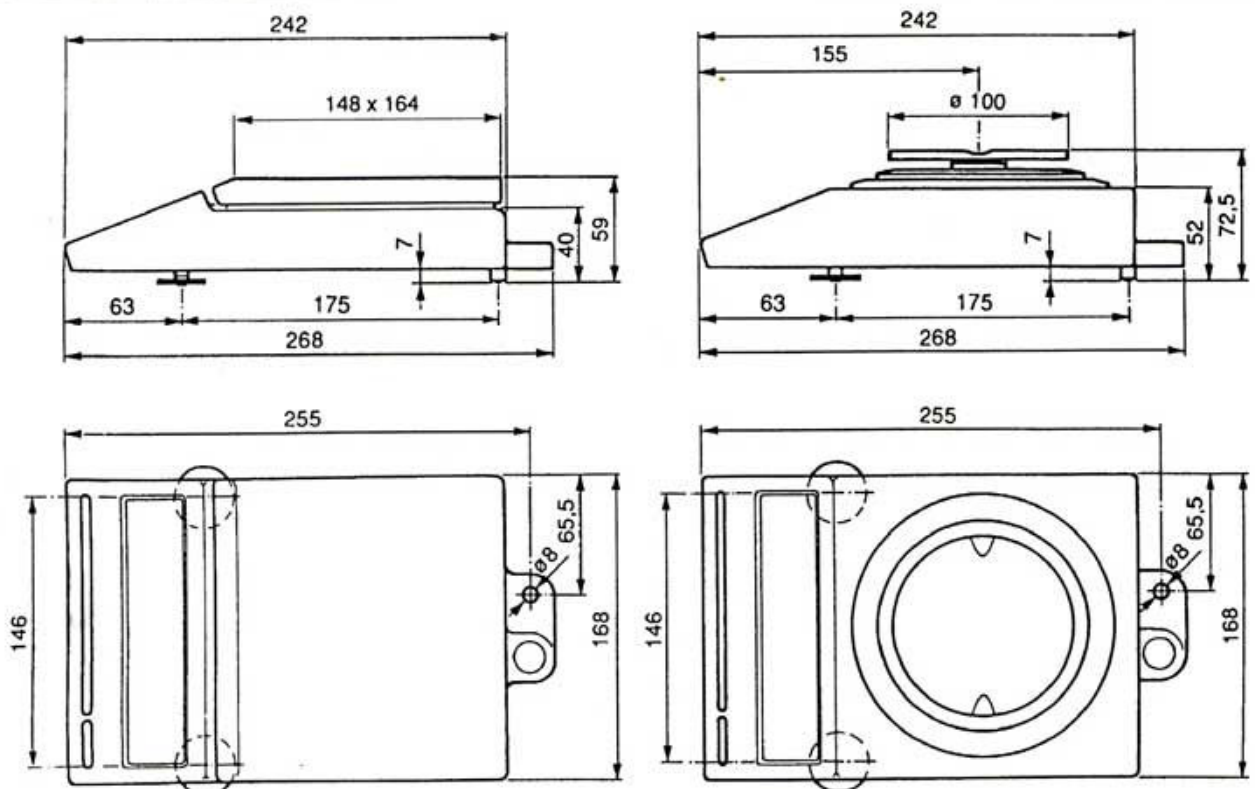


P704630

© Mettler-Toledo AG 1990 ME-704630 Printed in Switzerland 0.4/9004/32. 2

Mettler-Toledo AG, CH-8606 Greifensee, Switzerland, Tel. (01) 944 22 11, Telefax (01) 944 30 60, Telex 826150

Measurements in mm



Technical data

Model	College244	College300	College1300	College2440	College3000
Weighing range	240 g	310 g	1300 g	2400 g	3100 g
– Delta range	40 g	–	–	400 g	–
Readability	0.01 g	0.01 g	0.01 g	0.1 g	0.1 g
– Delta range	0.001 g	–	–	0.01 g	–
Taring range	240 g	310 g	1300 g	2400 g	3100 g
Reproducibility (s)	0.003 g	0.005 g	0.01 g	0.03 g	0.05 g
– Delta range	0.001 g	–	–	0.01 g	–
Linearity	0.01 g	0.01 g	0.02 g	0.1 g	0.1 g
– Delta range	0.002 g	–	–	0.02 g	–
Temperature drift [1° C] (10°...30° C)	5x10 E-6	5x10 E-6	5x10 E-6	5x10 E-6	5x10 E-6
Results deviation with horizontal discrepancy (1:1000)	± 0.01 g	± 0.02 g	± 0.1 g	± 0.1 g	± 0.2 g
Stabilization time (typical)	2 s	1.5 s	2 s	2 s	1.5 s
Display response	0.16 s	0.16 s	0.16 s	0.16 s	0.16 s
Power connection	115 or 230 V ± 15 %/50...60 Hz/4 VA				
Balance adjustment:	– to surroundings: choice of 3 levels, vibration adapter visual display – to weighing process: choice of 4 levels, weighing process adapter visual display				
Remark:	The following sections of the Operating Instructions do not apply to these models: Sections 2.7, 2.8, 3.2, 3.3				
Data interface:	bidirectional RS232 (V24), CL passive 20 mA				
– data format	asynchronous 7 bit ASCII				
– baud rate	selectable 110, 150, 300, 600, 1200, 2400, 4800, 9600				
– parity	selectable even, odd mark, space				
– handshake	switchable transfer or DTR				
– connector	Minimettler 15-pin				
Permitted ambient conditions (operating)	0...40° C, 15...85 % rh (relative humidity, non-condensing)				
Protection class (against water and dust)	IP54				
Net weight	1,7 kg		1,9 kg		

Accessories

Model	College244	College300	College1300	College2440	College3000
Standard equipment					
In-use cover	•	•	•	•	•
Hanger access	•	•	•	•	•
Glass draft shield	• (only 1 glass)	–	–	–	–
Available accessories					
Calibration weight	100 g ME-47900	100 g ME-47900	1000 g ME-47905	1000 g ME-47905	1000 g ME-47905
In-use cover	ME-215170/V			ME-215064/V	
Plastic draft shield	–			ME-215091	
Carrying Case			ME-71694		
Anti-theft kit			ME-215195		
Connection cable					
– for Epson PX-4			ME-33982		
– for Epson P-40			ME-33688		
– for METTLER GA44 Printer			ME-47926		
RS232 cable, bidirectional with handshake					
– male/25pin			ME-33640		
– female/25pin			ME-33995		
– female/9pin			ME-33783		
Extension cable data I/O		2 m: ME-216151,	5 m: ME-216152,	10 m: ME-216153	
Minimettler soldered connector			ME-33930		
Attachments					
METTLER Printer			GA44		
Further documentation					
Interface manual			ME-704097		